

AV-94 Bronze Globe Valve, PN 10

Features

Screwed in Bonnet, Inside Screw, Rising Stem, With locking arrangement & position Indicator.
Flanges as per BS 10 Table 'D' (Undrilled)

Test Pressure

Body - 300 Psig (Hyd.)
Seat - 200 Psig (Hyd.)

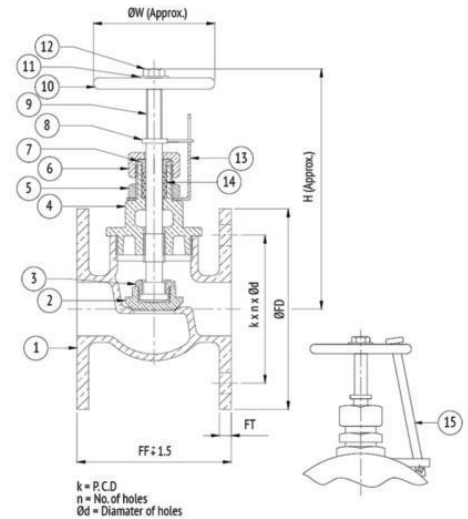
Suitability

Water, Oil



Material Combination

P.No.	Name of Part	Material	Specification
1	Body	Bronze	BSEN 1982 Gr. CC491K / IS 318 Gr. LTB2
2	Disc	Bronze	BSEN 1982 Gr. CC491K / IS 318 Gr. LTB2
3	Disc Nut	Bronze	BSEN 1982 Gr. CC491K / IS 318 Gr. LTB2
4	Bonnet	Bronze	BSEN 1982 Gr. CC491K / IS 318 Gr. LTB2
5	Bonnet	Bronze	BSEN 1982 Gr. CC491K / IS 318 Gr. LTB2
6	Check Nut	Bronze	BSEN 1982 Gr. CC491K / IS 318 Gr. LTB2
7	Gland Nut	Bronze / Brass	BSEN 1982 Gr. CC491K / IS 318 Gr. LTB2
8	Indicator	Bronze	BSEN 1982 Gr. CC491K / IS 318 Gr. LTB2
9	Stem	H.T. Brass	IS 6912 / IS 319
10	Handwheel	Cast Iron	-
11	Washer	Stainless Steel	-
12	Screw / Bolt	Stainless Steel	-
13	Indicator Plate	Brass Sheet	-
14	Packing	PTFE	-
15	Locking Rod	M.S.	Galvanised



Dimensional Data

Nominal Size (mm)	FF ± 1.5	H	ØW	ØFD	FT	k	n	Ød
15	54	74	50	96	6.4	66	4	14
20	65	85	50	102	6.4	73	4	14
25	83	123	64	115	7.9	82	4	14
32	83	110	64	120	7.9	94	4	14
40	83	120	85	135	9.5	104	4	14
50	105	145	97	150	9.5	115	4	17
65	140	170	118	165	11.1	127	4	17
80	175	200	148	185	12.7	145	4	17
100	207	255	185	216	15.9	178	4	17

k - P.C.D; n - Number of Holes; Ød - Diameter of Holes