

## AV-111 Gun Metal Gate Valve (Screwed Ends) Class 2

### Features

Screwed in Bonnet, Inside Screw, Rising Stem, Without Yoke, Screwed or Female Parallel Threads to IS 554

### Test Pressure

Body : 2.4 MPa (Hyd.)

Seat : 1.6 MPa (Hyd.)

Max. Working Pressure : 1.6 MPa (Hyd.)

Max. Working Temperature : Upto 45°C

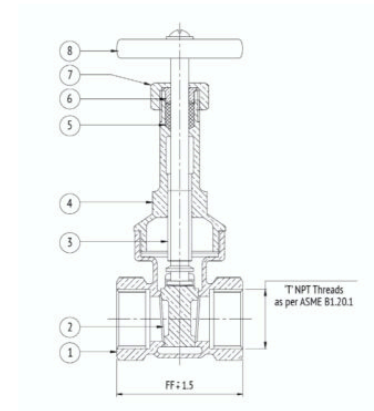
### Suitability

Water, Oil



### Material Combination

P.No.	Name of Part	Material	Specification
1	Body	Bronze	ASTM B62
2	Wedge	Bronze	ASTM B62
3	Stem	Brass	IS 6912 Gr.FLB
4	Bonnet	Bronze	ASTM B62
5	Packing	Graphited Asbestos	-
6	Gland	Bronze	ASTM B62
7	Gland Nut	Bronze	ASTM B62
8	Handwheel	M.I.	-



### Dimensional Data

Nominal Size (mm)	FF	T
15	60	1/2"
20	60	3/4"
25	70	1"
32	80	1.1/4"
40	90	1.1/2"
50	100	2"
65	105	2.1/2"
80	125	3"
100	160	4"