

AV-96E C.I. Butterfly Valve Wafer Type, PN-16

Features

Wafer Type, Without Lugs, Integrally Moulded Linear Seat
Suitable for Insertion between Flanges as per ANSI B 16.1 CI-125, DIN ND-10 & BS-10 Table'E'
Product Standard : IS-13095

Test Pressure

Body : 348 Psi g (Hyd.)
Seat : 232 Psi g (Hyd.)

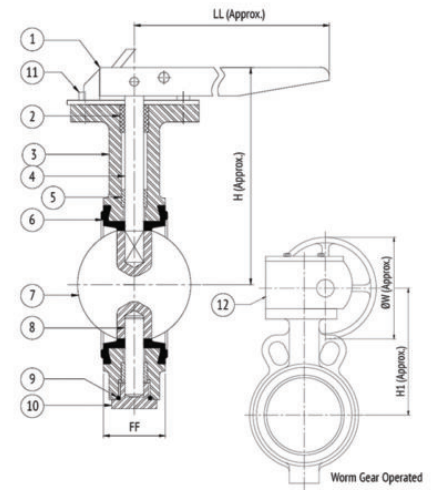
Suitability

Water, Air



Material Combination

P.No.	Name of Part	Material	Specification
1	Lever Assembly	Carbon Steel	-
2	Packing Ring	PTFE	-
3	Body	Cast Iron	IS 210 Gr. FG 200
4	Upper Stem	Stainless Steel	ASTM A276 TYPE 410
5	Bush	Bronze	ASMA B62
6	Body Liner	Integrally Molded EPDM	-
7	Disc	C.S.S.	ASTM A351 Gr. CF8
8	Lower Stem	Stainless Steel	ASTM A276 TYPE 410
9	O - Ring	Nitrile Rubber	-
10	Bottom Cover	Cast Iron	IS 210 Gr. FG 200
11	L - Key Screw	Carbon Steel	-
12	Gear Box	Cast Iron	IS 210 Gr. FG 200



Dimensional Data

Nominal Size (mm)	FF ±2	LL	H	H1	ØW
40	33	208	128	-	-
50	43	208	140	-	-
65	46	208	155	-	-
80	46	257	165	-	-
100	52	257	180	-	-
125	56	257	200	-	-
150	56	257	210	-	-
200	60	-	-	305	200
250	68	-	-	350	200
300	78 ±3	-	-	400	200

NOTE : 1. Valve can be supplied with Pneumatic Actuator/ Electric Actuator.
2. Valve size 200 mm & above will be with gear arrangement.