



JODOCK

Hydraulic Dock Leveler

(Capacity 5000 / 10000 / 15000 Kg.)

- Solution for continuous movement between Loading Dock and Truck Bed.
- Available in three capacities - Light, Medium and Heavy Duty.
- Automatic sequential operation.
- Enhanced safety during power failure.

Josts Dock Levelers provide robust bridge to cover the gap between fixed dock height and variable truck bed height. It enables the safe and efficient movement of equipment and materials between the vehicle and the loading/unloading dock. Three different models are available to suit the capacity requirements- Light, Medium and Heavy Duty.

Top Platform :



Ramp is made of checkered plate with strong beams as a main support members. Cross bracing (provided by angles and channels) connects all beams to each other and creates composite & highly rigid frame.

Hinges :



Hinges are made of alloy steel toughened pins and are ultrasonically tested & chrome-plated. Self-lubricated bushes ensure smooth and free movement of material.

Hydraulics



Hydraulic power pack ensures smooth and jerk-free ramp and lip movement. During loading/unloading operation when the lip is placed on the bed of the vehicle, the ramp automatically adjusts itself to the varying height of the vehicle bed. Oil-level indicator, drain plug and relief valve in the hydraulic circuit facilitates both safety and easy maintenance.

Hydraulic Cylinders



Ramp is made of checkered plate with strong beams as main support members. Cross bracing (provided by angles and channels) connects all beams to each other and create composite and highly rigid frame.



Operation and Control :

The system is switched "ON" by MCB switch. Continuous pressing of PUSH button raises the ramp and open the lip. This maintains the hydraulic pump in running condition. The ramp is held in its position by switching "OFF" the MCB switch. After positioning the vehicle, the MCB switch is again switched "ON" to make the ramp come down until the lip rests on the vehicle bed. After loading / unloading of vehicle, the same sequence of operations ensures raising and lowering of ramp to its "PARK" position.

Hydraulic Dock Leveler (5000 / 10000 / 15000 Kg.)

Performance Data

			Model 1	Model 2	Model 3
			HDL 05	HDL 10	HDL 150
*Capacity :	Static Load	(Kg)	3000	6000	10000
	Dynamic Load [#]	(Kg)	5000	10000	15000
Working Range :	Above	(mm)	a	350	350
	Below	(mm)	b	250	250
Dimensions					
Platform Size :	Length	(mm)	Lr	2750	2750
	Width	(mm)	Wr	2000	2000
	Lip Extension	(mm)	Le	400	400
	Dock Height	(mm)	Hd	1200	1200
Pit Size :	Length	(mm)	Lp	2860	2860
	Width	(mm)	Wp	1860	2060
	Depth	(mm)	Hp	480	480

Note: 1). *Capacity includes weight of the Vehicle / MHE and Material.,
2). # - Dynamic load is the Static load in motion.

Dock Leveler Facilitates

- Bridging the gap between vehicle bed and dock with ramp and lip combination.
- Accommodation of variety of trucks and trailers expected at dock by providing wide operating range.
- Automatic sequential operation of ramp and lip movement with simple push button operation.
- Easy maintenance.
- Loading and unloading of containers directly from dock with different types of material handling equipments.

Features

Platform Structure:

- Sturdy, warp free, balanced structure.
- Non-reverse folding robust hinges.
- Automatic folding of lip by double acting cylinder.
- Checkered plate for proper grip.

Control Features :

- Power saver control with motor "ON" only for lifting.
- Compact reliable hydraulic power pack ensures safe, smooth and jerk free operation.
- Sequential valve ensures proper sequence of operation.

Control Panel :

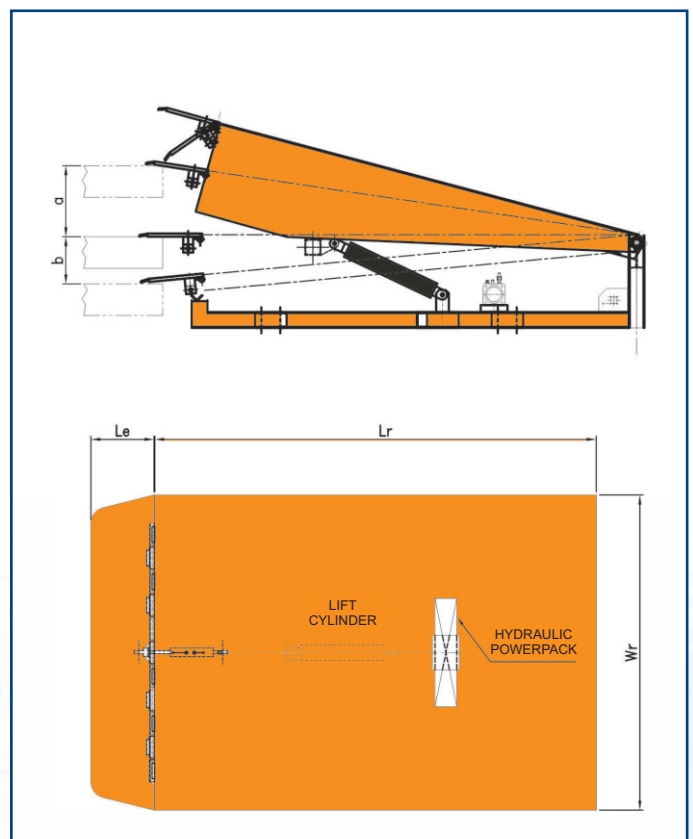
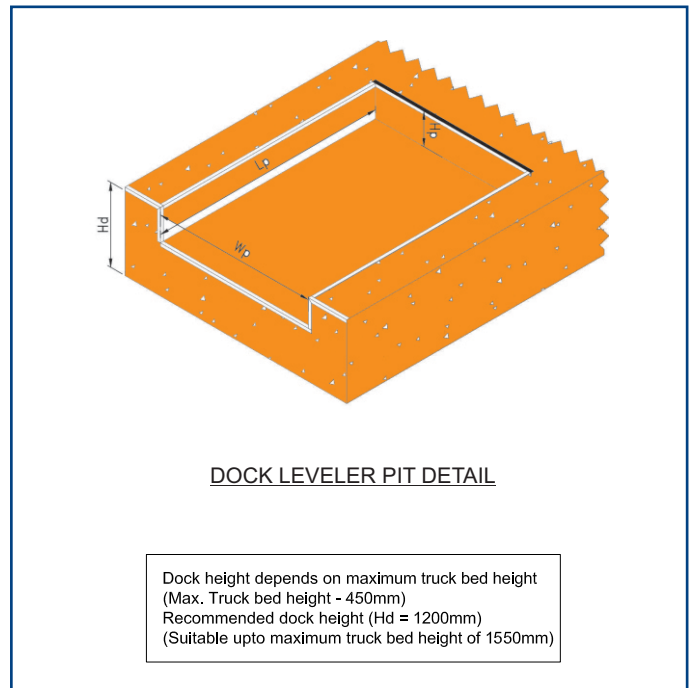
- Simple single push button control with three phase indicators.
- "MCB" facilitates isolation for easy maintenance of control panel.
- Reliable and high quality contactors and transformers.

Optional Features :

- Rubber dampers for vehicle back up.
- Twin cylinder model available on request.
- Operation with single phase motor on request.
- Customised platform (If feasible) on request.

Safety :

- Stay put condition in case of power failure.
- Automatic leveling ensured.
- Overload protection by relief valve.
- Lip locator ensures leveled dock area.
- Single continuous hinge rod prevents misalignment during operation.



MKT:11:00:034:1121

For any special requirements, Please contact Jost's H.O., Dimensions indicated here are subject to variations of ± 20 mm and performance $\pm 10\%$. Service weight ± 50 kg. Right to make changes and technical improvement reserved.



Since 1907

Jost's Engineering Company Limited

C-7 Wagle Industrial Estate, Road No. 12, Thane - 400 604. Maharashtra. INDIA.

T.: +91.22.6117 4000 / 2582 1727 F.: +91.22.6117 4020 E.: infomhe@josts.in

Bengaluru : +91.080.41234775 / 41234885 Chennai : +91.044.2626 8536 / 2628 8407 Delhi : +91.011. 4567.6000 / 4567.6014 Kolkata : +91.033.2242 9510 /4008 1242 Pune : +91.020.2543. 4565/2543 .4390 Secunderabad : +91.040.2771.4934 / 44 / 54 Vadodara : +91.0265.2351.642

Dial-a-care: 1800-2745-661