



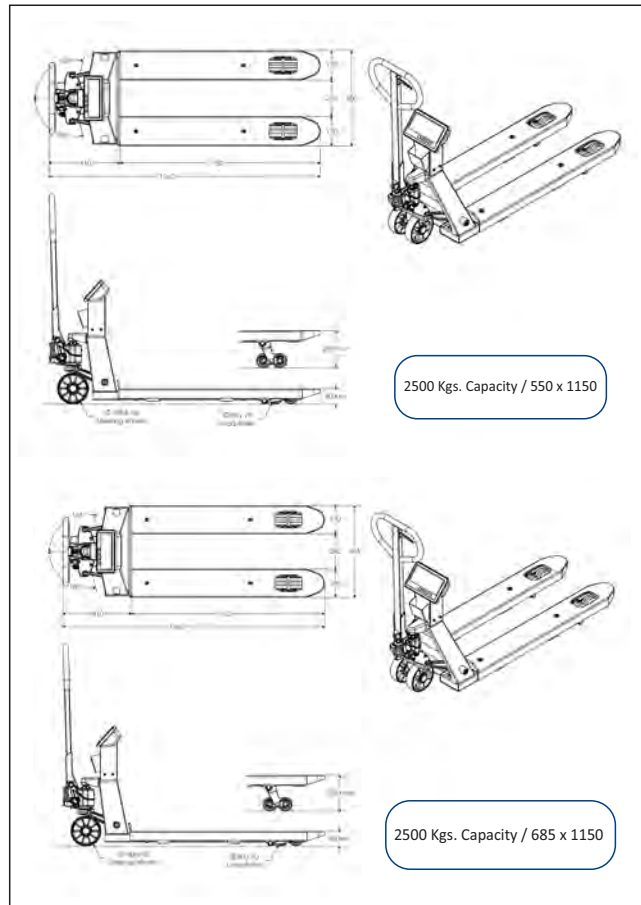
JPW 2000

Hand Pallet Trolley with Weighting Scale

- Mobile Pallet Truck with scale combined two major functions for pallet truck/scale, allows you to weight material what you want, where you want and when you want
- Power supply with Rechargeable Battery or with 88~264V AC input
- Keypad and Automatic Tare Functions
- Super-large and bright LED display in solid state to be strike-free
- Power supply with Rechargeable Battery, Weight Checking & Counting Functions available
- Available with extended functions like weight- checking, counting, etc to satisfy various needs of customers

Specifications:

Item/ Type	Nos	JPW-2000
Capacity	kg	2000
Lift Height	mm	200
Lowered Height	mm	90
Overall Length	mm	1580
Load Centre Distance	mm	600
Fork length	mm	1150
Width Over Forks	mm	540
Turning Radius	mm	1315
Wheel Base	mm	1240
Weighing Range	kg	1 to 2000
Accuracy (Deviation)	%	1 (max)
Wheel	tyres	Nylon
Display	type	LCD
Drive	type	Manual
Types Of Operation	type	Hand
Steering Wheel	mm	φ180
Fork Wheel	mm	φ 75
Power	type	Dry cell / Ni MH rechargeable battery
Measuring Interval	type	0.5
Max Deviation	kg	± 1 %
Total Weight	kg	133-142
Charging Hours	Hours	6-8
Battery Backup	Hours	55-60



For any special requirements, Please contact Jost's H.O., Dimensions indicated here are subject to variations of ± 20 mm and performance ± 10%. Service weight ± 50 kg. Right to make changes and technical improve



Since 1907

Jost's Engineering Company Limited

C-7 Wagle Industrial Estate, Road No. 12, Thane - 400 604. Maharashtra. INDIA.

T.: +91 22 6267 4000 E.: jostfact@josts.in W.: www.josts.com

Bengaluru : +91 80 4123 4775 / 4123 4885 Chennai : +91 44 2626 8536 / 2628 8407 Delhi : +91 11 4160 7989 Kolkata : +91 33 2242 9510 / 4008 1242
 Pune : +91 20 2543 4565 / 2543 4390 Secunderabad : +91 40 2771 4934 / 44 / 54 Vadodara : +91 265 2351 642

Pioneers In Material Handling Solutions

Platform Trucks



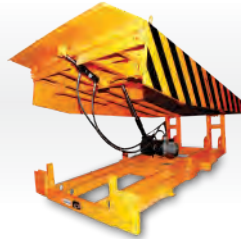
Electric Tow Trucks



Hand Pallet Trucks, Manual Stackers



Dock Levelers



Jopicker



Electric Stackers



Electric Pallet Trucks



Reach Trucks



Electric Forklift



Diesel Forklift



Customise Product



Racking Systems



Scissor Lift



For more details, please contact:



Jost's Engineering Company Limited

C-7 Wagle Industrial Estate, Road No. 12, Thane - 400 604. Maharashtra. INDIA.

T.: +91 22 6267 4000 E.: jostfact@josts.in W.: www.josts.com

Bengaluru : +91 80 4123 4775 / 4123 4885 Chennai : +91 44 2626 8536 / 2628 8407 Delhi : +91 11 4160 7989 Kolkata : +91 33 2242 9510 / 4008 1242
Pune : +91 20 2543 4565 / 2543 4390 Secunderabad : +91 40 2771 4934 / 44 / 54 Vadodara : +91 265 2351 642

Dial-a-care: 1800-2745-661