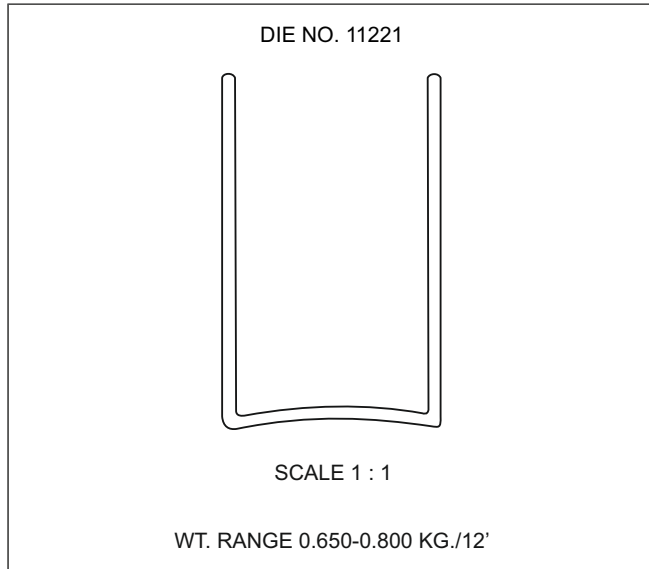
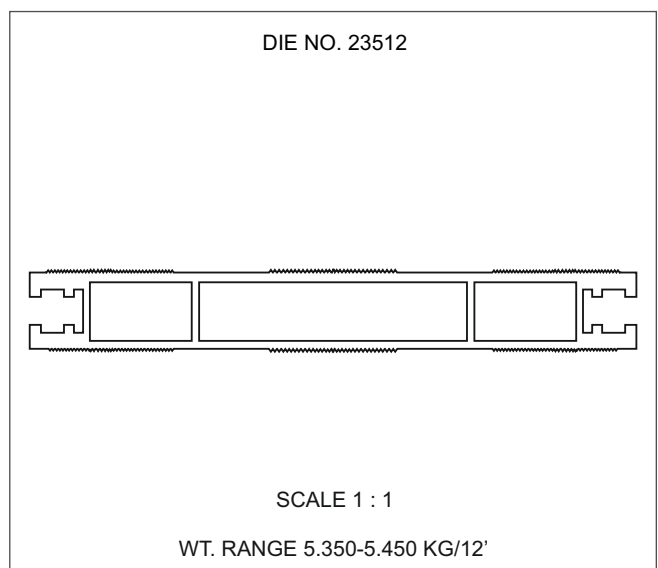
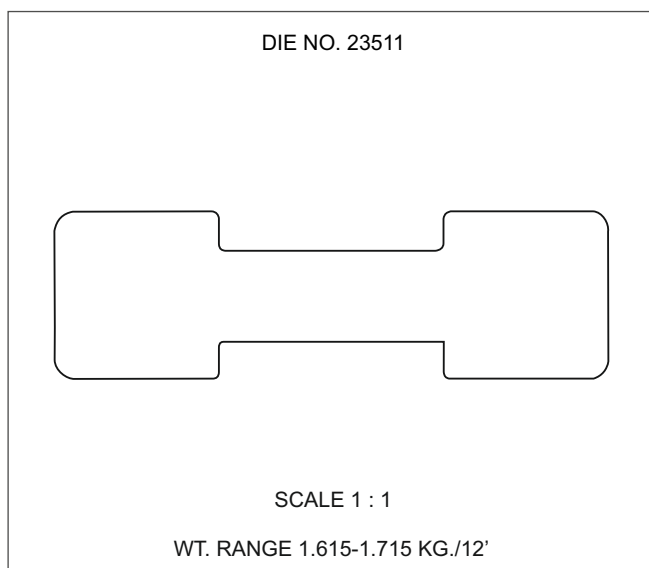
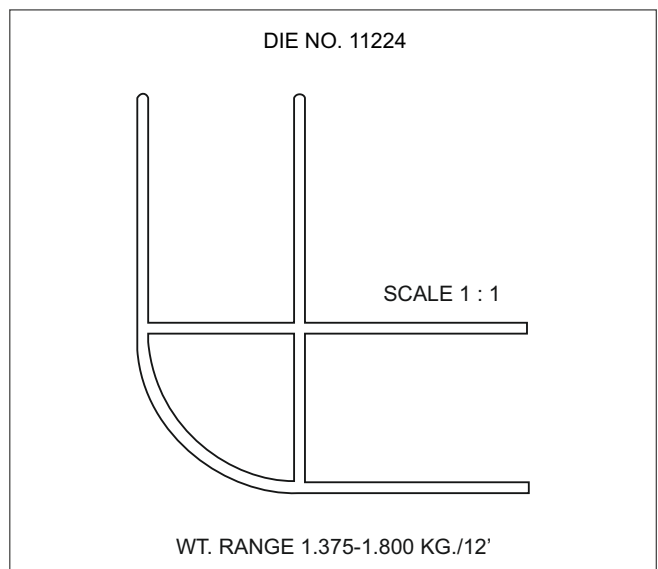
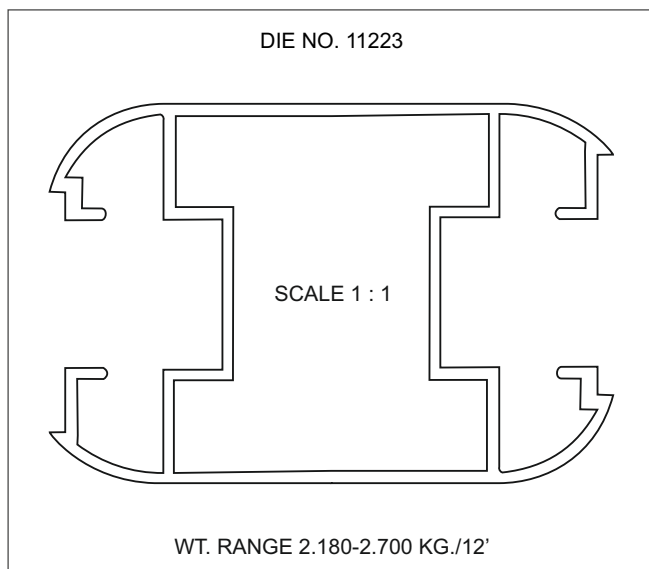
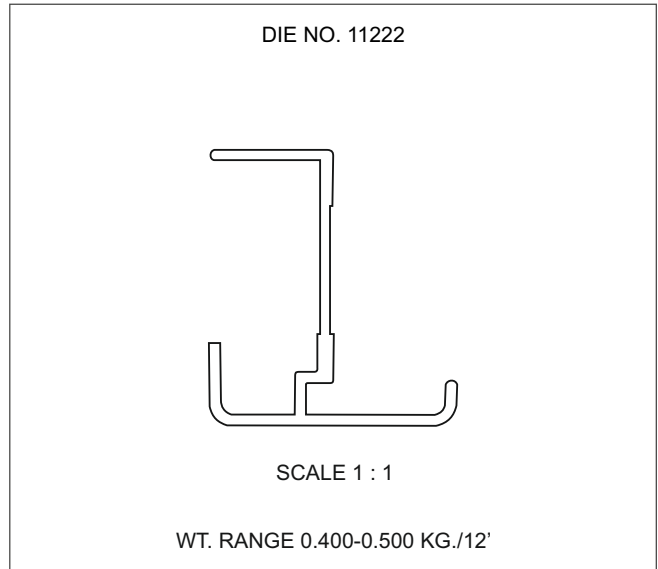


ARCHITECTURAL



KITCHEN SECTION




SELECTIONS NOT TO BE SCALED

ALL DIMENSIONS ARE IN MM

ARCHITECTURAL

DIE NO. 23513

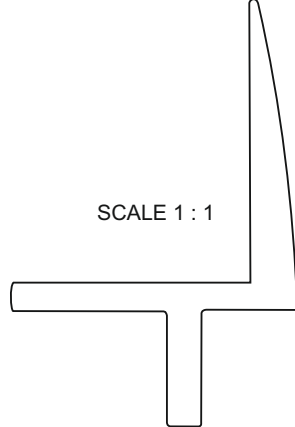


SCALE 1 : 1

WT. RANGE 6.330-6.430 KG./12'

KITCHEN SECTION

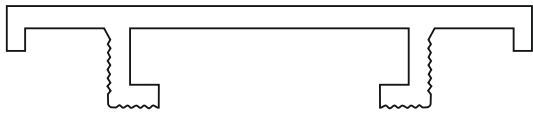
DIE NO. 23514



SCALE 1 : 1

WT. RANGE 1.030-1.130 KG./12'

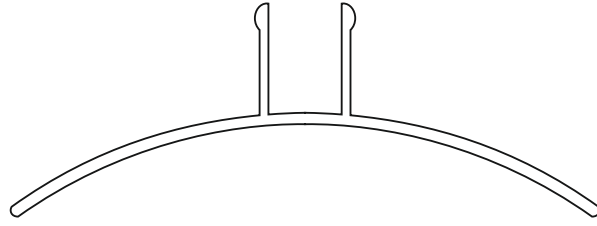
DIE NO. 23515



SCALE 1 : 1

WT. RANGE 2.180-2.700 KG./12'

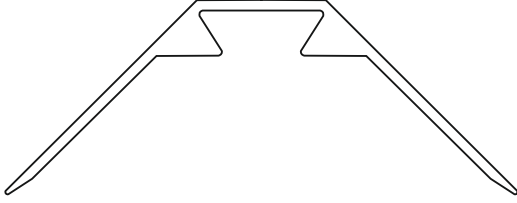
DIE NO. 23516



SCALE 1 : 1

WT. RANGE 1.855-1.955 KG./12'

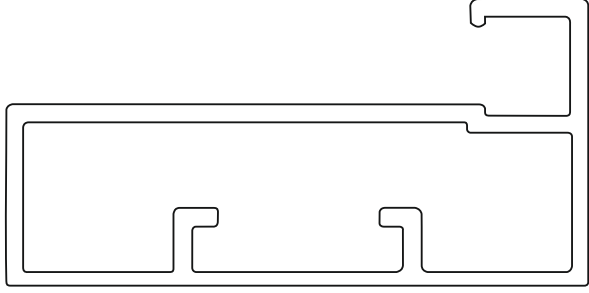
DIE NO. 23517



SCALE 1 : 1

WT. RANGE 1.960-2.050 KG./12'

DIE NO. 23518



SCALE 1 : 1

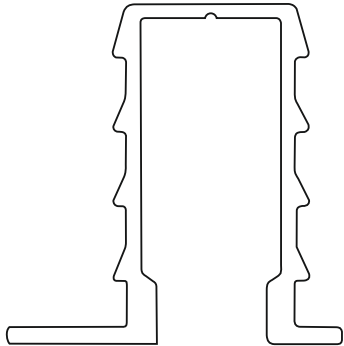
WT. RANGE 1.840-1.940 KG/12'

SELECTIONS NOT TO BE SCALED

ALL DIMENSIONS ARE IN MM

ARCHITECTURAL

DIE NO. 23519

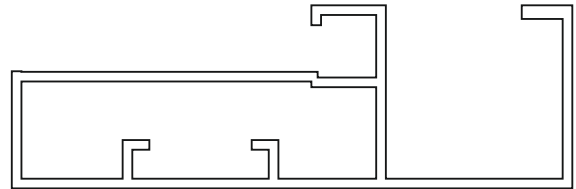


SCALE 1 : 1

WT. RANGE 0.400-0.450 KG./12'

KITCHEN SECTION

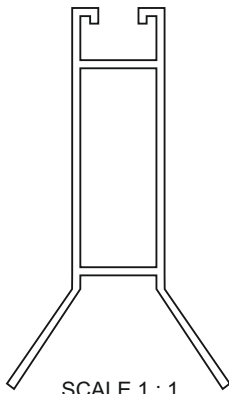
DIE NO. 23520



SCALE 1 : 1

WT. RANGE 2.230-2.330 KG./12'

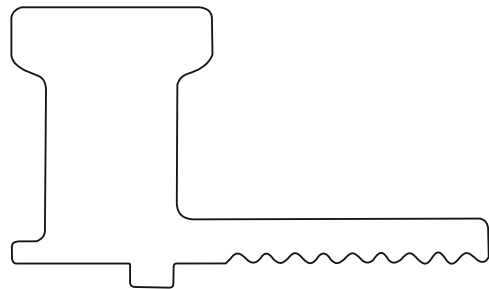
DIE NO. 35001



SCALE 1 : 1

WT. RANGE 5.000-5.700 KG./12'

DIE NO. 36001



SCALE 1 : 1

WT. RANGE 6.500-7.000 KG./12'

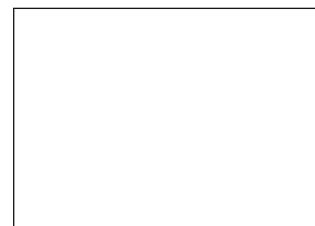
DIE NO. 36002



SCALE 1 : 1

WT. RANGE 1.500-1.700 KG./12'

DIE NO. 36003



SCALE 1 : 1

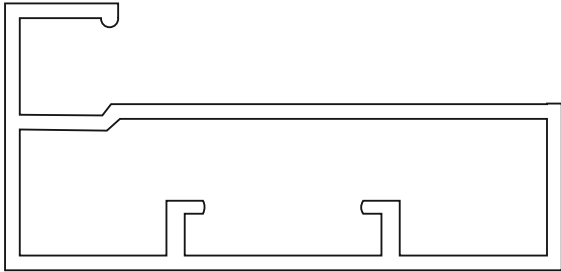
WT. RANGE 0.870-0.980 KG/12'

SELECTIONS NOT TO BE SCALED

ALL DIMENSIONS ARE IN MM

ARCHITECTURAL

DIE NO. EGSP 4-45

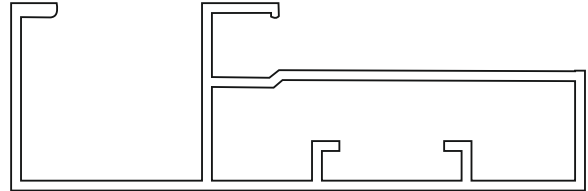


SCALE 1 : 1

WT. RANGE 1.680-2.100 KG./12'

KITCHEN SECTION

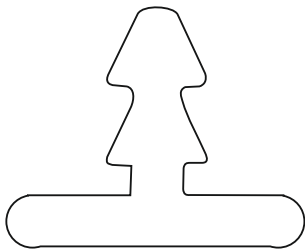
DIE NO. EGSP 4-45H



SCALE 1 : 1

WT. RANGE 2.280-2.600 KG./12'

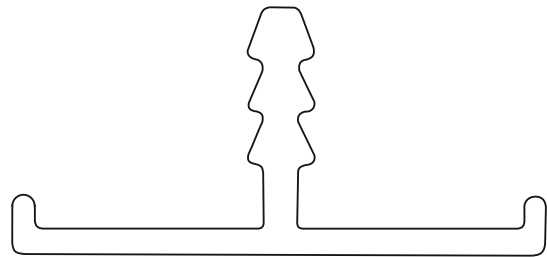
DIE NO. EP 7.6



SCALE 1 : 1

WT. RANGE x.xxx-x.xxx KG./12'

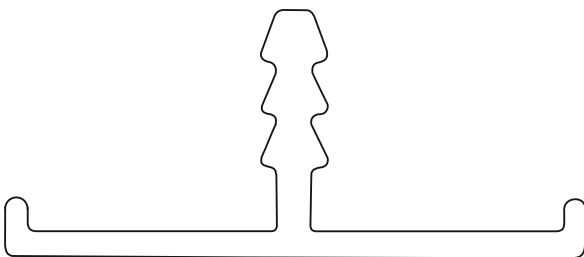
DIE NO. EP 190 1(M)



SCALE 1 : 1

WT. RANGE 0.360-0.460 KG./12'

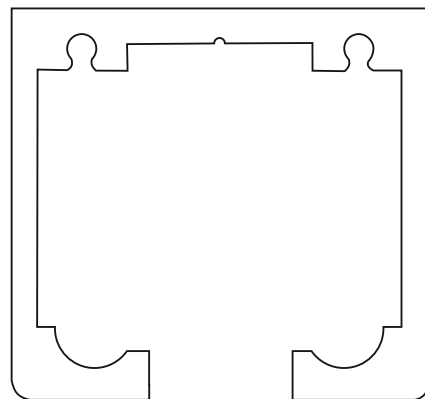
DIE NO. EP 2201



SCALE 1 : 1

WT. RANGE 0.385-0.485 KG./12'

DIE NO. GSFF AT



SCALE 1 : 1

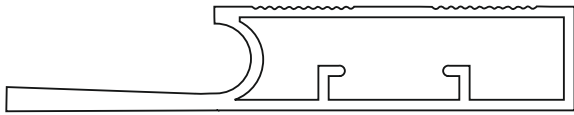
WT. RANGE 5.200-5.450 KG/12'

SELECTIONS NOT TO BE SCALED

ALL DIMENSIONS ARE IN MM

ARCHITECTURAL

DIE NO. GSP 1345H

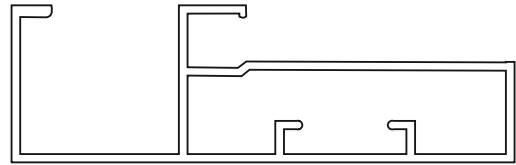


SCALE 1 : 1

WT. RANGE 2.160-2.260 KG./12'

KITCHEN SECTION

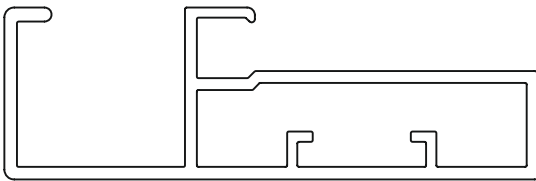
DIE NO. GSP 445(L)



SCALE 1 : 1

WT. RANGE 2.280-2.600 KG./12'

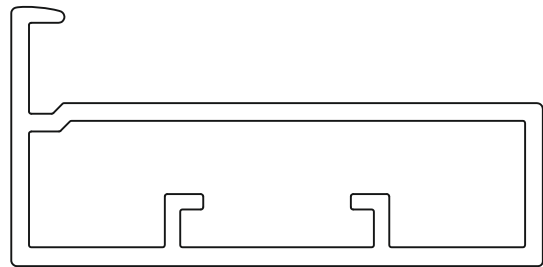
DIE NO. GSP 4 45H



SCALE 1 : 1

WT. RANGE 2.840-2.940 KG./12'

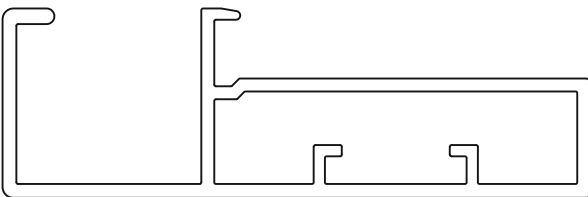
DIE NO. GSP 4 45S



SCALE 1 : 1

WT. RANGE 2.020-2.220 KG./12'

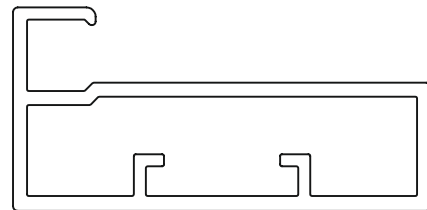
DIE NO. GSP 4 45SH



SCALE 1 : 1

WT. RANGE 2.770-2.970 KG./12'

DIE NO. GSP 4 45



SCALE 1 : 1

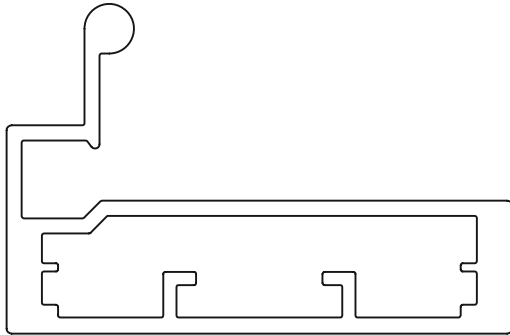
WT. RANGE 2.080-2.280 KG/12'

SELECTIONS NOT TO BE SCALED

ALL DIMENSIONS ARE IN MM

ARCHITECTURAL

DIE NO. GSP 4 50H

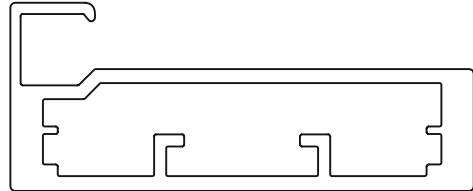


SCALE 1 : 1

WT. RANGE 2.970-3.070 KG./12'

KITCHEN SECTION

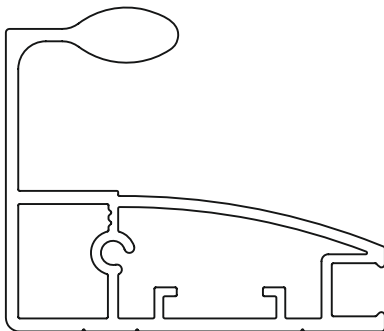
DIE NO. GSP 450



SCALE 1 : 1

WT. RANGE 2.600-2.700 KG./12'

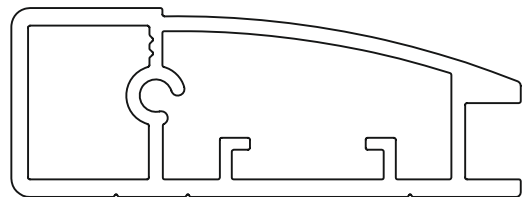
DIE NO. GSP 4 55H



SCALE 1 : 1

WT. RANGE 4.530-4.830 KG./12'

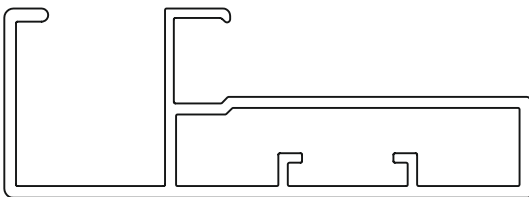
DIE NO. GSP 4 55



SCALE 1 : 1

WT. RANGE 2.995-3.090 KG./12'

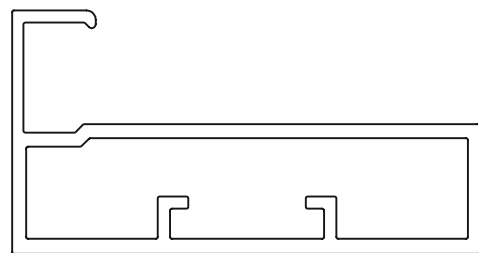
DIE NO. GSP 8 50H



SCALE 1 : 1

WT. RANGE 3.060-3.360 KG./12'

DIE NO. GSP 8 50



SCALE 1 : 1

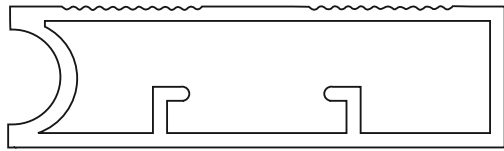
WT. RANGE 2.260-2.360 KG/12'

SELECTIONS NOT TO BE SCALED

ALL DIMENSIONS ARE IN MM

ARCHITECTURAL

DIE NO. GSP 1345

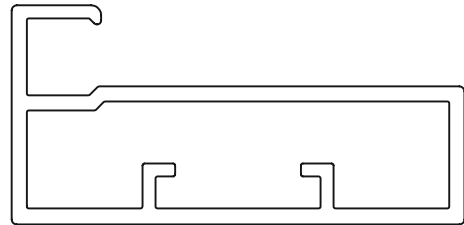


SCALE 1 : 1

WT. RANGE 1.500-1.600 KG./12'

KITCHEN SECTION

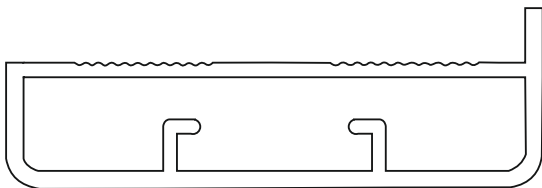
DIE NO. GSP4 45 (L)



SCALE 1 : 1

WT. RANGE 1.680-2.100 KG./12'

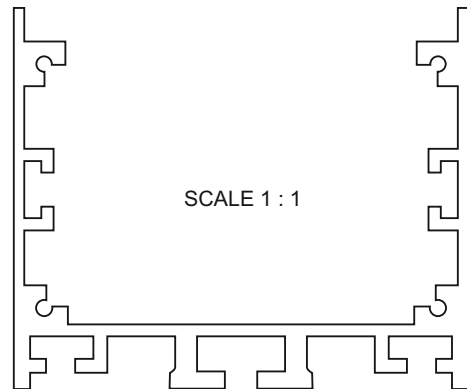
DIE NO. MPO 1345(N)



SCALE 1 : 1

WT. RANGE X.XXX-X.XXX KG./12'

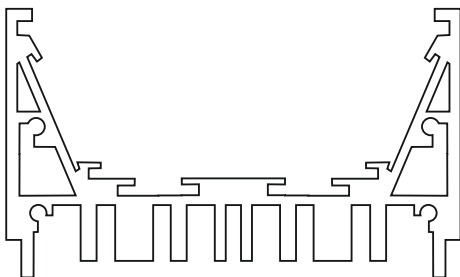
DIE NO. PAE 002



SCALE 1 : 1

WT. RANGE 4.500-5.300 KG./12'

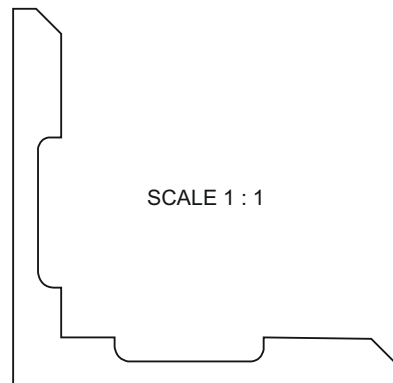
DIE NO. PAE 003



SCALE 1 : 1

WT. RANGE 5.100-6.000 KG./12'

DIE NO. PPDS RAC



SCALE 1 : 1

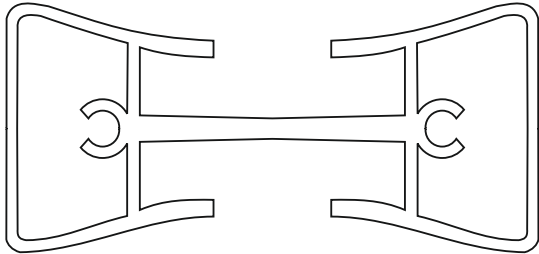
WT. RANGE 4.300-4.600 KG/12'

SELECTIONS NOT TO BE SCALED

ALL DIMENSIONS ARE IN MM

ARCHITECTURAL

DIE NO. PPDS ALS

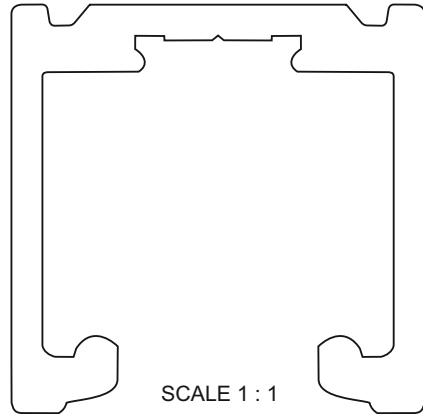


SCALE 1 : 1

WT. RANGE 2.600-2.850 KG./12'

KITCHEN SECTION

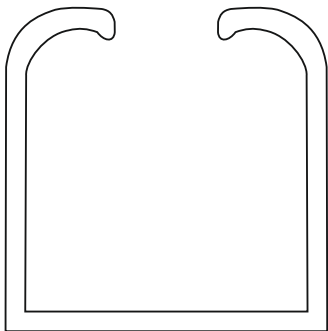
DIE NO. SDF 60 100



SCALE 1 : 1

WT. RANGE 2.650-2.900 KG./12'

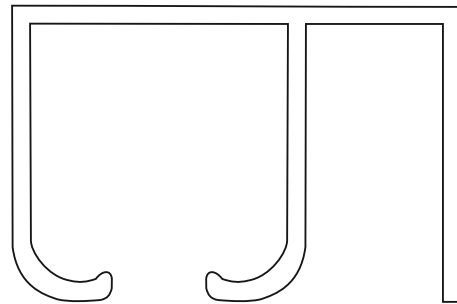
DIE NO. SDF 125 TT



SCALE 1 : 1

WT. RANGE 1.900-2.000 KG./12'

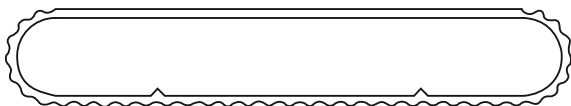
DIE NO. SDF 125 ATG



SCALE 1 : 1

WT. RANGE 2.700-2.900 KG./12'

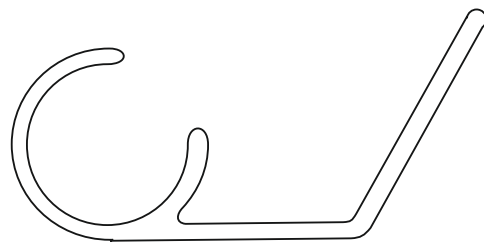
DIE NO. SH 001



SCALE 1 : 1

WT. RANGE 0.340-0.450 KG./12'

DIE NO. SH 002



SCALE 1 : 1

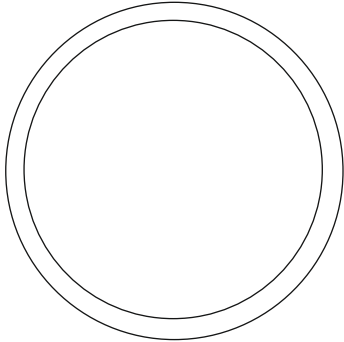
WT. RANGE 0.300-0.360 KG./12'

SELECTIONS NOT TO BE SCALED

ALL DIMENSIONS ARE IN MM

ARCHITECTURAL

DIE NO. SH 003

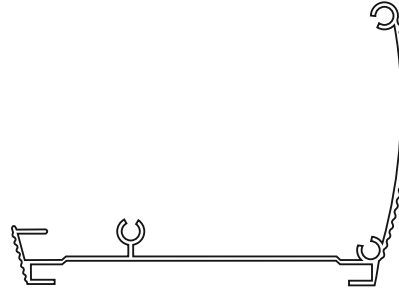


SCALE 1 : 1

WT. RANGE 0.290-0.330 KG./12'

KITCHEN SECTION

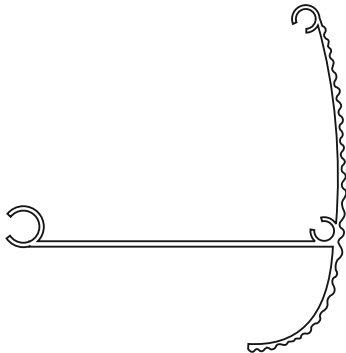
DIE NO. SH 004



SCALE 1 : 1

WT. RANGE 1.180-1.280 KG./12'

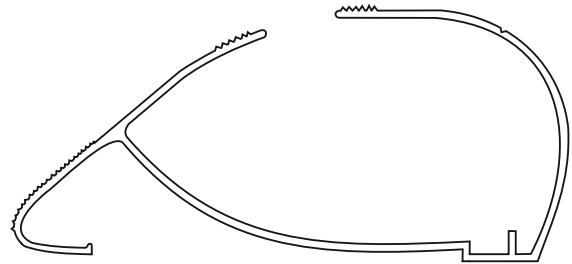
DIE NO. SH 005



SCALE 1 : 1

WT. RANGE 1.060-1.160 KG./12'

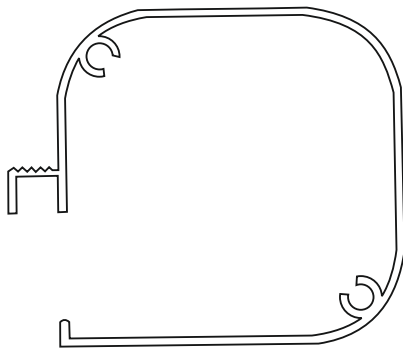
DIE NO. SH 006



SCALE 1 : 1

WT. RANGE 1.415-1.600 KG./12'

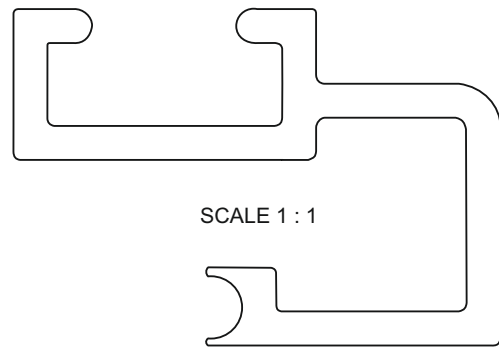
DIE NO. SH 007



SCALE 1 : 1

WT. RANGE 1.500-1.700 KG./12'

DIE NO. SH 008



SCALE 1 : 1

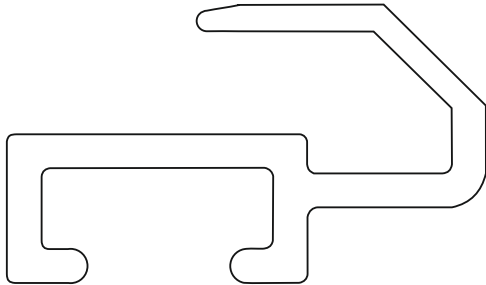
WT. RANGE 0.240-0.270 KG./12'

SELECTIONS NOT TO BE SCALED

ALL DIMENSIONS ARE IN MM

ARCHITECTURAL

DIE NO. SH 009

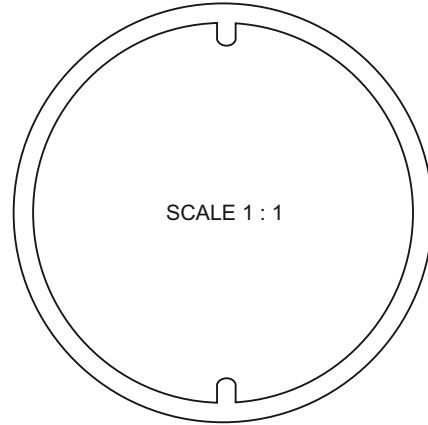


SCALE 1 : 1

WT. RANGE 0.200-0.230 KG./12'

KITCHEN SECTION

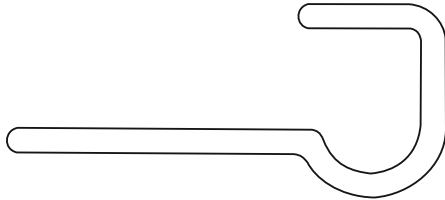
DIE NO. SH 010



SCALE 1 : 1

WT. RANGE 0.525-0.600 KG./12'

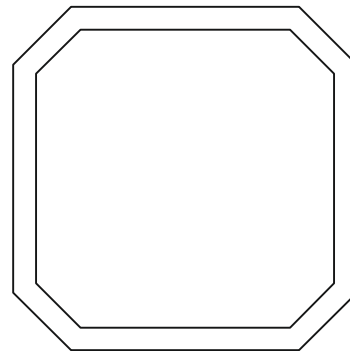
DIE NO. SH 011



SCALE 1 : 1

WT. RANGE 0.280-0.320 KG./12'

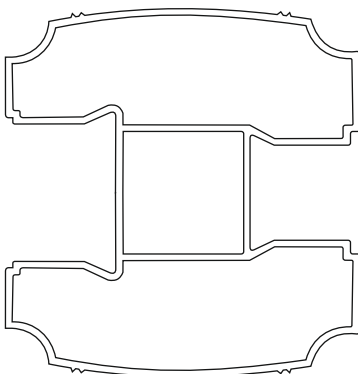
DIE NO. SH 012



SCALE 1 : 1

WT. RANGE 0.300-0.360 KG./12'

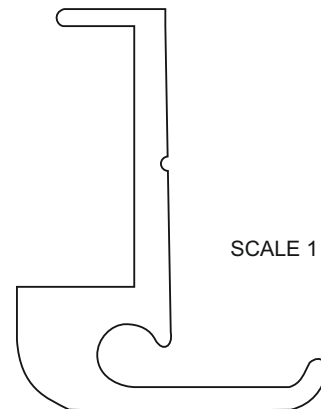
DIE NO. SI 001



SCALE 1 : 1

WT. RANGE 2.900-3.000 KG./12'

DIE NO. SI 002



SCALE 1 : 1

WT. RANGE 0.480-0.580 KG/12'

SELECTIONS NOT TO BE SCALED

ALL DIMENSIONS ARE IN MM

ARCHITECTURAL

DIE NO. SI 003

SCALE 1 : 1

WT. RANGE 1.000-1.100 KG./12'

KITCHEN SECTION

DIE NO. SOS 001

SCALE 1 : 1

WT. RANGE x.xxx-x.xxx KG./12'

DIE NO. SOS 002

SCALE 1 : 1

WT. RANGE 1.550-2.000 KG./12'

DIE NO. SOS 003

SCALE 1 : 1

WT. RANGE 0.860-1.040 KG./12'

DIE NO. SOS 004

SCALE 1 : 1

WT. RANGE 0.220-0.320 KG./12'

DIE NO.

SCALE 1 : 1

WT. RANGE x.xxx-x.xxx KG./12'

SELECTIONS NOT TO BE SCALED

ALL DIMENSIONS ARE IN MM