



# SIAT

M. J. MAILLIS GROUP

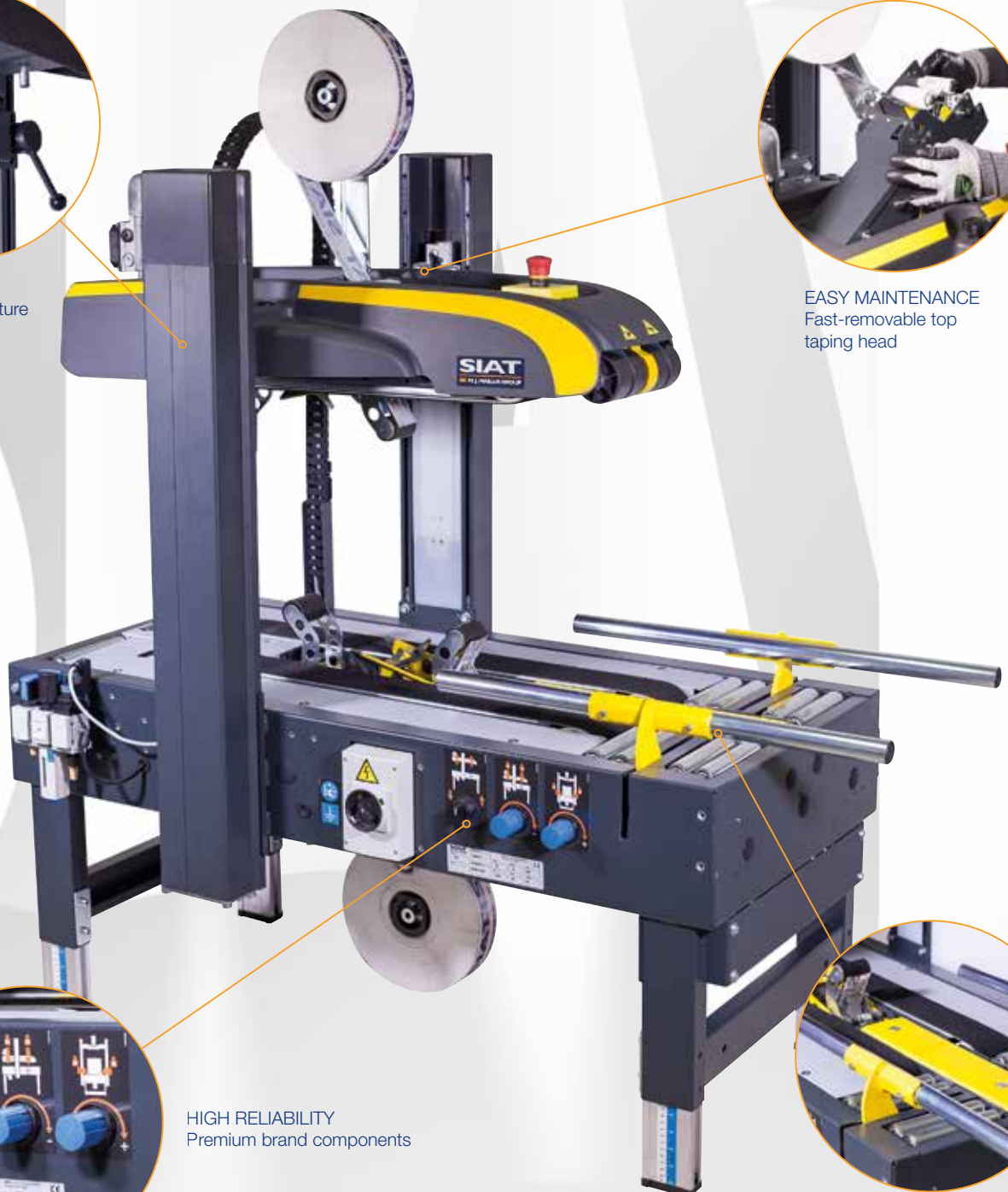
## SR20 Semi Automatic Carton Sealers



**STRONG DESIGN**  
Solid H frame structure



**EASY MAINTENANCE**  
Fast-removable top taping head



**HIGH RELIABILITY**  
Premium brand components



**PERFECT CONTROL**  
Thanks to the 4 belts and the random adjustment on the box size



for more details:



SR20

The semi-automatic case sealer **SR20** represents the ideal solution when your packaging line processes boxes with different dimension. Thanks to the 4 belts box control, the sealing process is always guaranteed without jams, also in case of overstuffed and empty boxes. The pneumatic system allows a fast adaptation to a large range of box dimensions. The robust dual masts frame and the branded components make the **SR20** ready for round-the-clock applications. The historical SIAT machines reliability is always guaranteed! The fast-removable taping head, the easy access to the motors and the clear cable management allow an efficient check of the machine, facilitating maintenance operations.



other languages: [www.siat.com](http://www.siat.com)



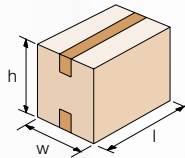
> **Machine dimensions**  
Dimensioni macchina  
Machinmessungen  
Dimensions de la machine  
Dimensiones de máquina

Packaging size / weight			LxWxH
> <b>SR20</b>	170	190	130x78x115

> **SR20**

	Min.	Max
L	1240	-
L1	1395	-
W	740	-
H	1265	1605
cbh	485	825
AS 77	cbh +110	cbh +110
AS 80	cbh +160	cbh +160

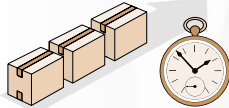
> **Box dimensions**  
Dimensioni delle scatole  
Kartonabmessungen  
Dimensions des boîtes  
Dimensiones de cajas



> **SR20**

	K11R std. / K12R on demand	
	Min.	Max
l	150	∞
w*	140 / 170	500
h	100	500

> **Production capacity**  
Capacità di produzione  
Produktionskapazität  
Capacité de production  
Capacidad de producción

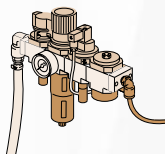


> **SR20**

	Bph
Max pcs.*	900

\* Always based on shorter manageable box

> **Air consumption**  
Consumo aria  
Druckluftverbrauch  
Consommation air comprimé  
Consumo de arie

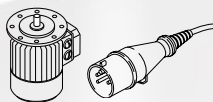


> **SR20**

	NL.
Cycle	9

from 5,5 bar to 7 bar

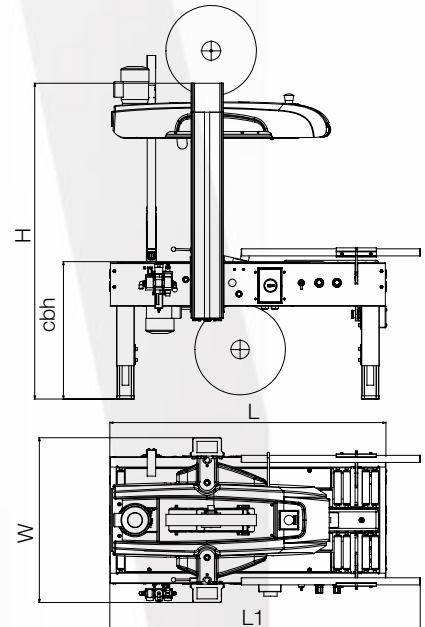
> **Standard voltage**  
Voltage standard  
Standardspannung  
Tension standard  
Voltage estándar



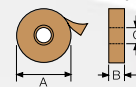
> **SR20**

380/415V - 50Hz - 3P	
Amps	1,08
Power kW	0,26
Phase	3Ph + N + PE

> **SR20**



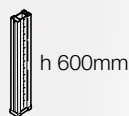
> **Taping units**  
Unità nastranti  
Verschliesseinheiten  
Unités enrubanneuses  
Unidades de precinto



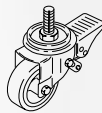
	K11R/ K12R
	mm
A	410 Max
B	50 / 75
C	76

> **Optionals**  
**Accessori**  
**Zubehör**  
**Accessories**  
**Accesorios**

> **AS80**  
Higher legs  
Set gambe più alte  
Höhere Stützen  
Pieds plus hauts  
Patas más altas



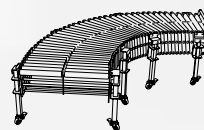
> **AS77**  
Casters  
Set ruote  
Rädchen  
Roulettes  
Ruedas



> **RG**  
Roller conveyor  
Piani a rulli  
Rollenbahnen  
Plans à rouleaux  
Rodillos libres



> **GTL - GTR**  
Extendable conveyor  
Rulliera estensibile  
Ausziehbare rollenbahnen  
Convoyeur extensible  
Rodillos extensibles



> **K-125 / K-250**  
Inkjet printer  
Stampante ad inchiostro  
Tintenstrahldrucker  
Marqueur à jet d'encre  
Impresora de inyección de tinta

