

Coupling Nut for Connecting Stud/Threaded Rod

A coupling nut, also known as extension nut, is a threaded fastener for joining two male threads, most commonly a threaded rod, but also pipes. The outside of the fastener is usually a hex so a wrench can hold it. These are used to make up long rod assemblies from shorter lengths of rods. The rods are threaded into the coupling nut for a certain distance. We offer premium range of Coupling Nuts which are fabricated in compliance with the international standards. These are manufactured from quality raw material and are easy to disassemble and assemble. Also known as stud connector, Rod connector & Joints.

Material

Medium carbon steel (080A42 steel) / As per customer requirement

Heat Treatment

Hardened and Tempered to 24~32 HRC

Surface Protection

Black Oxide Coating

Application

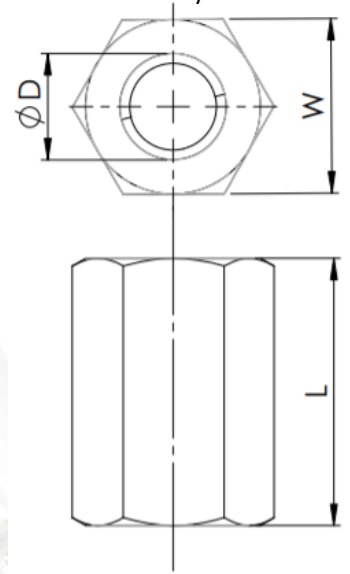
Mainly Used to make up long rod assemblies from shorter lengths of rods.

Advantages

Increase Length from short stud, Shape is Hex so its easily accessible with wrench

Manufacturing

As Per DIN 6334



dimensions in mm

DIN 6334

Model	D	L	W
RT-CN-610	M6	25	10
RT-CN-811	M8	25	11
RT-CN-1013	M10	30	13
RT-CN-1217	M12	40	17
RT-CN-1624	M16	40	24
RT-CN-2030	M20	50	30
RT-CN-2436	M24	72	36