



## RF LEVEL POSITION SWITCH ( JAYCEEVECTOR )

### PRINCIPAL

**Vector** series of compact capacitance switches have this intelligence built into the system and so do not need complicated skilled calibration. It is simply plug and play , fit and forget concept. The moment the instrument is installed and switched and switched ON it evaluates the initial capacitance and waits for the material level to rise. When covered, it detects the material and indicates the status. When the level recedes it automatically tunes to the no value of capacitance that may have occurred due to change in environment in the vicinity of the probe, or due to residual material coating. It is now ready to detect the next rise in level. The auto tuning is refreshed every emptying cycle, thus, maintaining appropriate sensitivity through. Slow changes due to changes in moisture, humidity and temperature are also taken into account by the long term filtering and averaging algorithm thereby making the system very reliable.

### Features

- Compact design, so suitable for small vessels
- Precise switch point even when coated
- Unaffected by slow variations in humidity and temperature
- Open collector PNP output current limited to 100mA as standard
- Built in LED indicators for status, alarm & normal operation
- High or Low fail selected provided

### Applications

- Level detection in Non Conductive sticky media and Liquids
- Level detection for storage tanks, and pipeline
- Level detection in solid media
- Protection pumps from running dry.

### Parts

The parts of RF Level Position Switch are explained in figure 1. All dimensions are in millimeters.

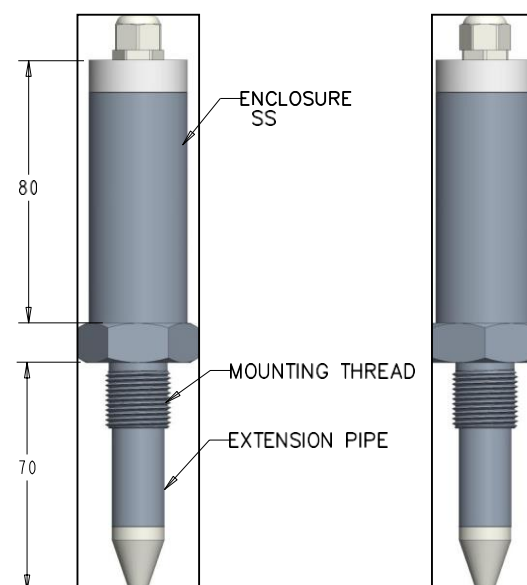


FIGURE 1 : VECTOR

## JAYCEE TECHNOLOGIES PVT. LTD.

An ISO 9001-2008 C E Certified Company  
Shed No. 7, Nanekar Industries Building, Survey No.  
79/2, Dangat Industrial Estate, Shivane, Pune - 411 023,  
India Contact No. : 07447401743  
Email : jayceetech@gmail.com Website : WWW.jayceetech.com



## Technical Specification

Process connection	: 1/2 " BSP/ NPT
Probe Insulation	: PTFE, others
Housing	: stainless steel
Ambient Temperature	: -20...60°C
Process Temperature	: -20...80°C
Protection	: Weather proof
Installation	: Top/ Side mounting
Connection Cable	: 1.5 meter , 3 wire
Cable gland	: PG7
Input supply	: 12...30 V DC, 15 mA max
Power – up time	: 2 sec.
Hysteresis	: ± 1 mm
Repeatability	: ± 1 mm
Reaction time	: 0.2 sec. Type
Output(active)	: Max.100 mA,short-circuit protected
Output Type	: PNP standard
Fail Safe	: High/ Low selectable

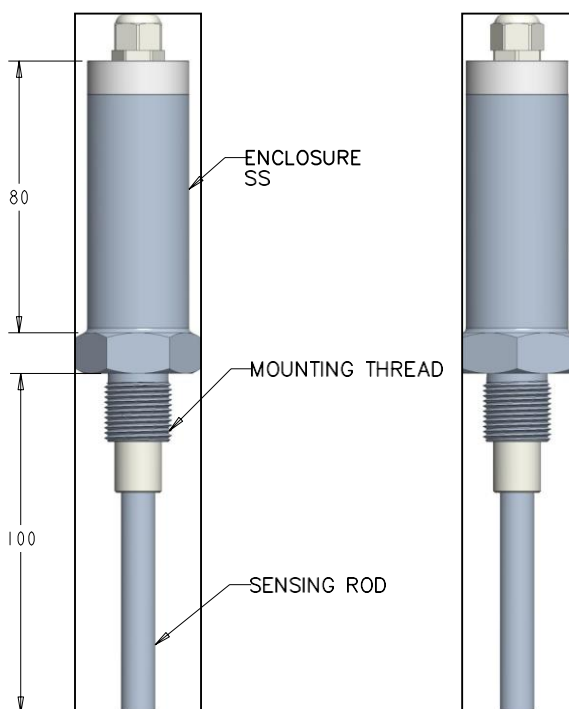


FIGURE 2 : TESTER

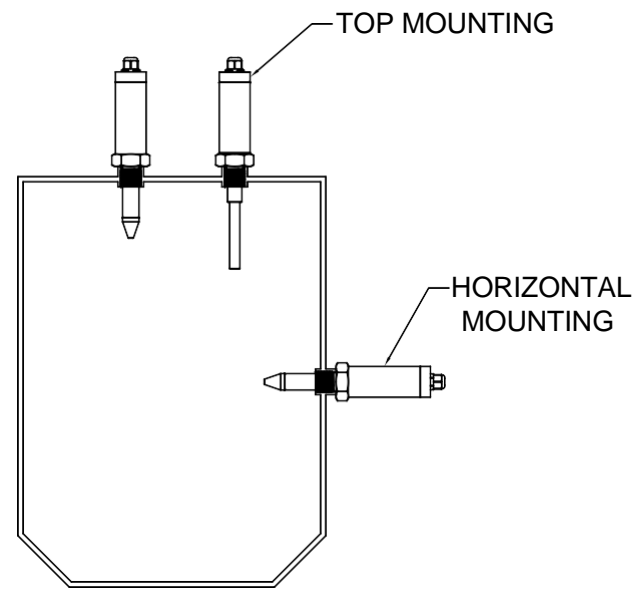


Figure 3 : Mounting Arrangement

## Model Selection

### JAYCEEVECTOR

#### Enclosure (E)

1 - Stainless Steel

#### Temperature (T)

1-Standard Temperature Up to 80°C

#### Probe Length (PI)

- 1-Standard Probe Length 40 mm (Vector)
- 2-Standard Probe Length 100 mm (Tester)
- 3-Extended Probe Length Up to 1000 mm

#### Mounting Arrangement (M)

- 1- Threaded BSP / NPT
- 2-Flanged ANSI/DIN ; 3 - Others

#### Wetted Part (W)

- 1-SS304
- 2-SS316
- 3-SS316L
- 4-PTFE Line
- 5-Others

#### Output (O)

- 1 - Open Collector PNP/NPN

VECTOR	E	T	PI	M	W	O
/ TESTER	1	1	2	1	2	1