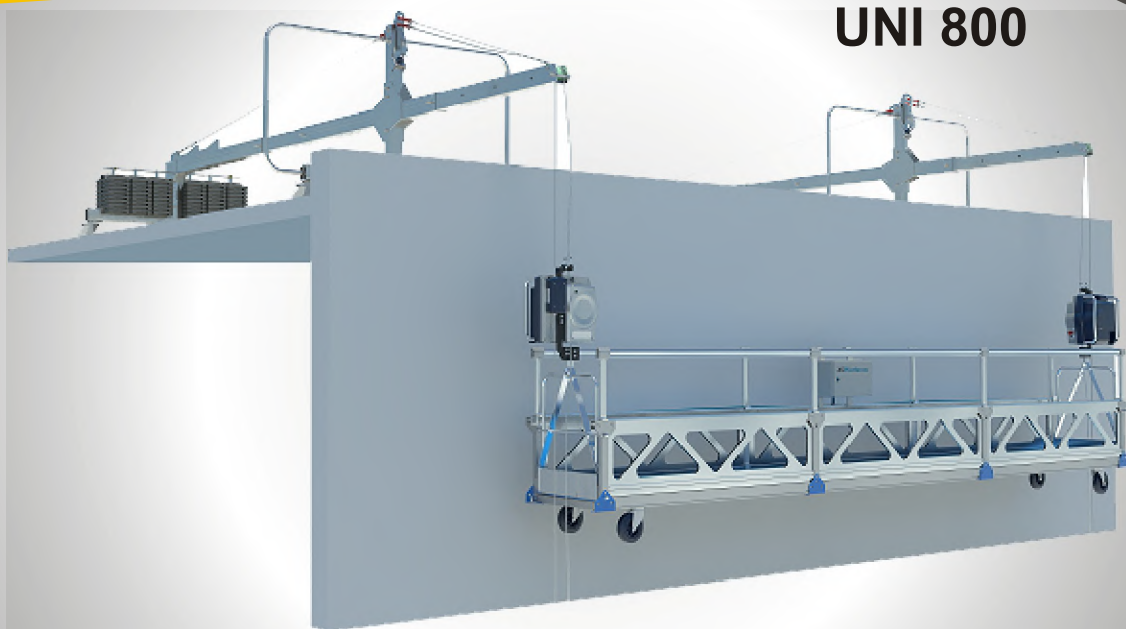


# SUSPENDED PLATFORM



**UNICORN EQUIPMENT**  
Build Your Way BETTER



## Products Description

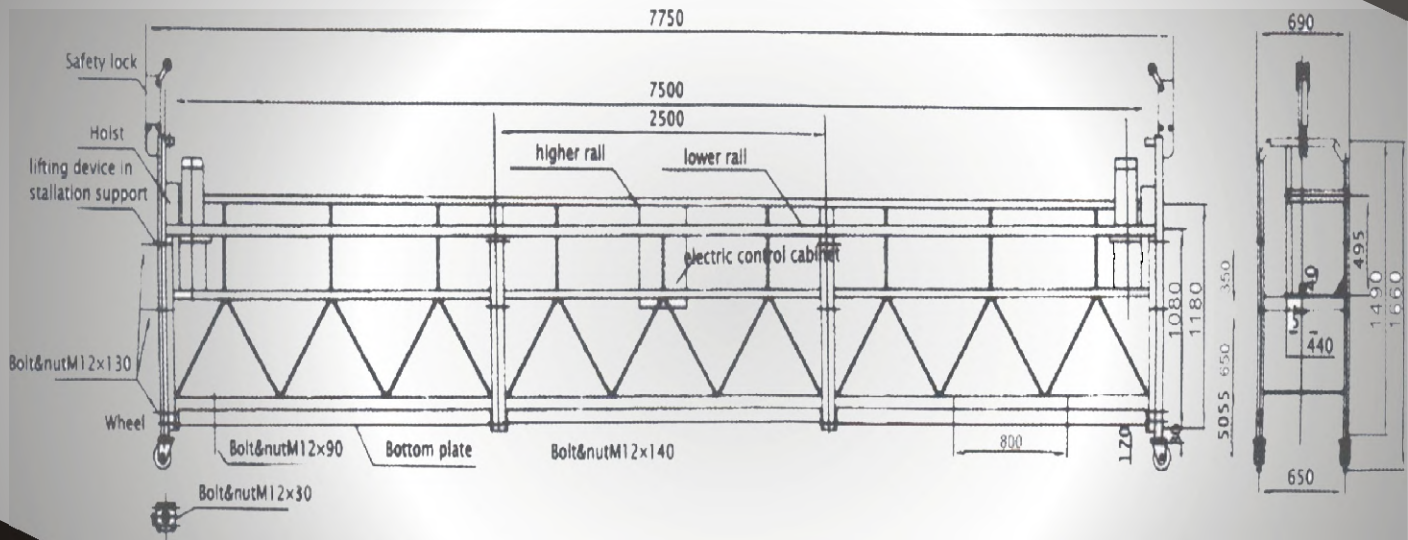
Unicorn now brings to India the most advanced Rope Suspended Platform Hoist. With features like safety lock model, advanced Electrical control system with anti-tilting, rope break, high quality steel wire rope and optional overload sensor. Also referred to as Gondola, these hoists are used for maintenance and decoration of the outer parts of high rise building. A rope Suspended Hoist can also be described as a temporary structural attached to the building for alteration and demolition of the construction. Gondolas are widely used for repairing work, maintenance of a building, installing the billboards on high rise towers, welding, cleaning and painting for large ships and more. Unicorn India uses high quality materials like stainless steel and aluminium to manufacture these suspended rope platform hoists. A stringent quality check is done to ensure the strength parameters and provide just the very best to the customers.

Suspended Platform Systems provide temporary access to heights - for building maintenance, at construction sites or in industrial environments. Unicorn Platform offers modular Suspended Platform Systems which are incredibly easy to assemble. Our system offers superior stability and easily fits inside the back of medium-sized van.

# SUSPENDED PLATFORM



**UNICORN EQUIPMENT**  
Build Your Way BETTER



## Technical Parameters: UNI 800 PLATFORM

	Platform Dimension mm	(1500+1500+2000+2500) x 700 x 1100	
Suspension Mechanism (mm)	Projecting Length	1300-1500 (adjusting distance 200) mm	
	Adjustable Height	1200-1600 (adjusting distance 100) mm	
	Length	6000	
Weight	Platform	335 kg	
	Suspension Mechanism	210 kg (without counter weight)	
	Hoist	Type	LTD80
		Capacity	1.8 kw
		Voltage	380 v
		Speed	8-10 m/min
		Rated Lifting Force	8 KN
	Safety Box Specification	Hoist Weight	48 kg x 2
		Type	LSF30
		Permission Force of Impact	30 KN
		Locking Cable	3°-8°
		Weight	5.5 kg x 2
		Electrical Control Box	14 kg
	Steel Wire Rope ( 4x31-Ø 9.1 )	4 rope * 25 kg	
	Electric Wire ( 4x50 )	22 kg	
	Safety Rope	13 kg	
	Complete Machine (without count weight )	800 kg	
	front basket fence height	1050mm	
	back basket fence height	1200mm	