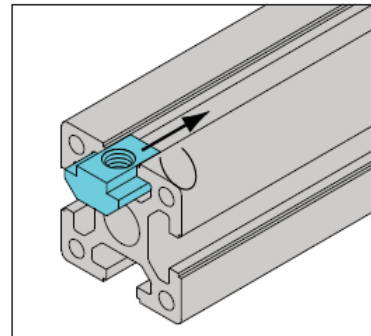
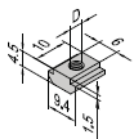


### T Nut



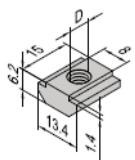
Reliability	★★★★★
Efficiency	★★★★★
Cost	★★★



- T Nut-6-M3
- T Nut-6-M4
- T Nut-6-M5



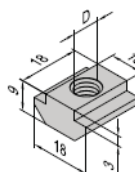
D	Material	Mass (g/pcs)	Part No.
M3	plated steel	2.5	06.TN.M3
M4	plated steel	2.3	06.TN.M4
M5	plated steel	2.1	06.TN.M5



- T Nut-8-M3
- T Nut-8-M4
- T Nut-8-M5
- T Nut-8-M6



D	Material	Mass /pcs	Part No
M3	plated steel	7.8	08.TN.M3
M4	plated steel	7.6	08.TN.M4
M5	plated steel	7.3	08.TN.M5
M6	plated steel	6.9	08.TN.M6



- T Nut-10-M3
- T Nut-10-M4
- T Nut-10-M5
- T Nut-10-M6
- T Nut-10-M8



D	Material	Mass (g/pcs)	Part No
M3	plated steel	16.9	10.TN.M3
M4	plated steel	16.6	10.TN.M4
M5	plated steel	16.1	10.TN.M5
M6	plated steel	15.7	10.TN.M6
M8	plated steel	14.3	10.TN.M8

Modular Assembly System	Modular Conveyor System	Ergonomic Workstation and Lean Production System	Machine Guard and Enclosure System	Linear Motion System	Clean Room System
-------------------------	-------------------------	--	------------------------------------	----------------------	-------------------