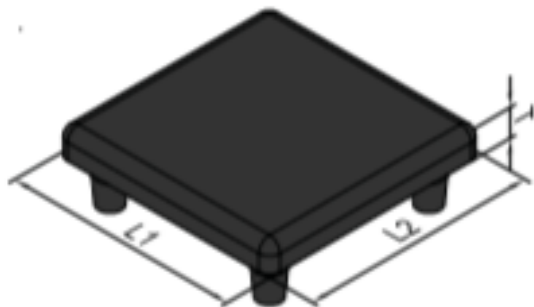
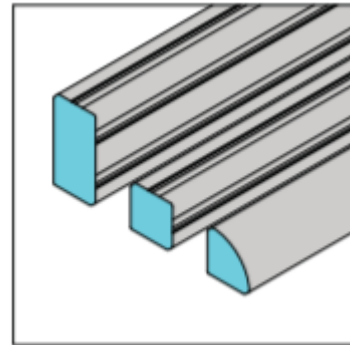


## End Cap



Description	L1 (mm)	L2 (mm)	T (mm)	Mass (g)
End Cap-PG20-2020	20	20	4	2
End Cap-PG30-3030	30	30	4	3
End Cap-PG40-4040	40	40	4	6

Modular Assembly System	Modular Conveyor System	Ergonomic Workstation and Lean Production System	Machine Guard and Enclosure System	Linear Motion System	Clean Room System
-------------------------	-------------------------	--	------------------------------------	----------------------	-------------------