

DC Motor Protector SN-25

Description:

The SN-25 Series is a high current DC motor protector which delivers the benefit of locked rotor and overload protection in a robust integrated package. A broad range of design and mounting options enable this device to be custom engineered to meet your needs.

Features:

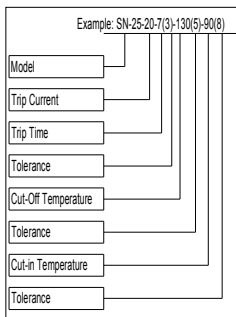
- Tin plated steel base and tab.
- Available in covered and uncovered versions
- Designed to trip time or temperature specifications.
- Multiple bimetallic resistivities available.

Specifications:

Nominal Operating Voltage	12-48 Volts DC
Typical voltage drop at operating current	200 mV max
Cut-off temperature range	60°C to 166°C
Operating Trip Current Range	10-125 Amps

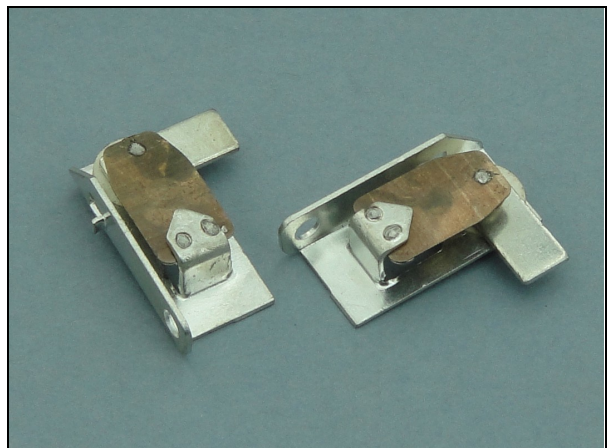
The SN-25 Series has been designed to offer protection for a wide range of 12 volt to 48 volt applications in a minimum package size. The SN-25 Series is suitable for both intermittent and continuous rated motors. The SN-25 is also designed for manual switching operations. The SN-25 is physically small and has unique 'snap action' bimetal disc, ensuring a positive make and break switching action for enhanced contact life.

Selection:

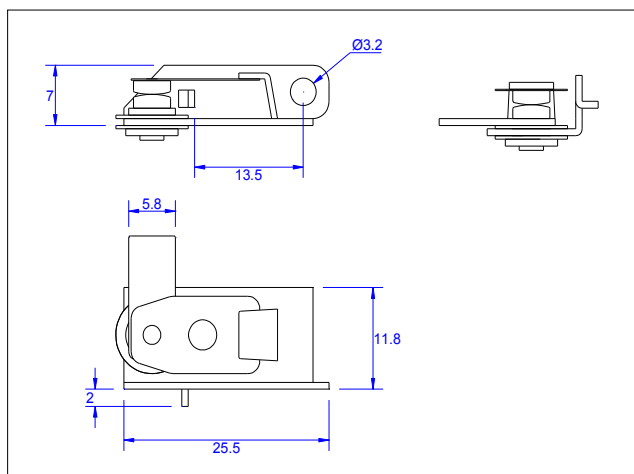


Applications:

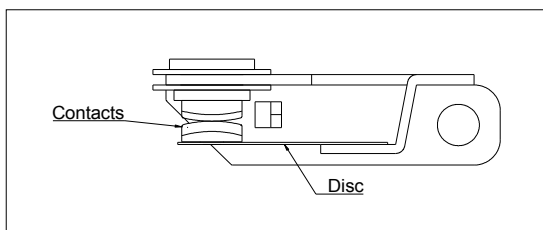
- Over current and temperature protection in DC Motors.
 - Refrigerator Compressors
 - DC blowers
 - Engine Cooling fan motors
 - Pump Motor



Line diagram:

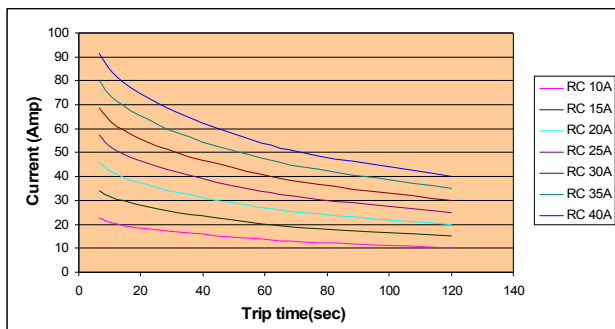


Sectional view:



Graph:

The Current VS Trip Time graph shows that whenever there is a locked rotor condition and the current exceeds 2.5 times the rated current the circuit is opened by SN-25 within 4-7sec without harming the motor.



Note RC: rated current

UTILITI CONTROLS

Plot D 30/1, TTC Industrial area, Sanpada MIDC, Navi Mumbai- 400 705. India.

Phone: +91-22-2763 6935 / 43

E-mail: marketing@utiliticontrols.com

These instructions do not purport to cover all the details or variations in the equipment described, nor do they provide for every possible contingency to be met in connection with installation, operation and maintenance. All specifications are subject to change without notice. www.utiliticontrols.com

Should further information be desired or should particular problems arise which are not covered sufficiently for the purchaser's purposes, the matter should be referred to Utiliti Controls, Mumbai.