

# RUBBER STOP GUARDS

THE PERFECT WAY TO STOP AND AVOID DAMAGES

## DESCRIPTION:

Wheel Stoppers are designed to provide good energy absorption from vehicle impact, thus protecting the anchor bolts from the impact. The anchor bolts are protected from direct stress unlike in concrete stoppers where all the force is transferred to the anchor bolts.

## DESCRIPTION:

Wheel Stoppers are made of a high impact resistance extruded rubber and have excellent weather resistance, crack resistance and abrasion resistance quality. Also available in Neoprene and EPDM on request.

## SIZES:

Wheel Stoppers are available in the following sizes:

Base Width	Height
135mm	100mm
140mm	100mm
150mm	100mm
150mm	150mm
200mm	100mm

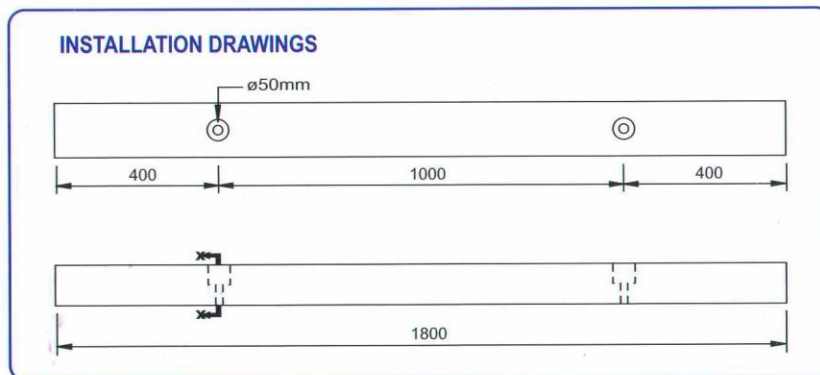


## STANDARD LENGTH:

The standard length of the wheel Stopper is 1800mm.

## INSTALLATION:

Wheel Stopper can be fixed using wench anchors by putting counter sunk in the stoppers.



# RUBBER SPEED HUMPS

(SPEED BREAKERS) FOR GREATER SAFETY

## DESCRIPTION:

The speed Humps are designed to reduce the speed of the vehicle.

## MATERIALS:

The Speed Humps are made of high impact resistance moulded rubber. They have excellent weather resistant and abrasion resistant quality.

## SIZES:

Speed Humps are available in the following Sizes:

- 250mm X 60mm
- 300mm X 60mm
- 350mm X 50mm
- 400mm X 60mm
- 450mm X 60mm
- 500mm X 60mm



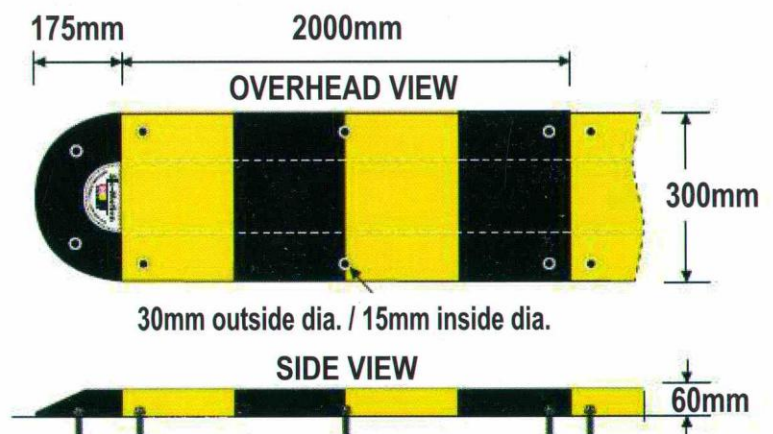
## STANDARD LENGTHS:

The Standard Lengths of the Speed Humps are 500mm and 250mm.

## INSTALLATION:

Speed Humps can be fixed using fix bolts in alternate black and yellow humps with end caps.

Available in Black & Yellow color



# RUBBER WALL GUARDS

AN IDEAL WAY TO AVOID STRUCTURAL DAMAGES

## DESCRIPTION:

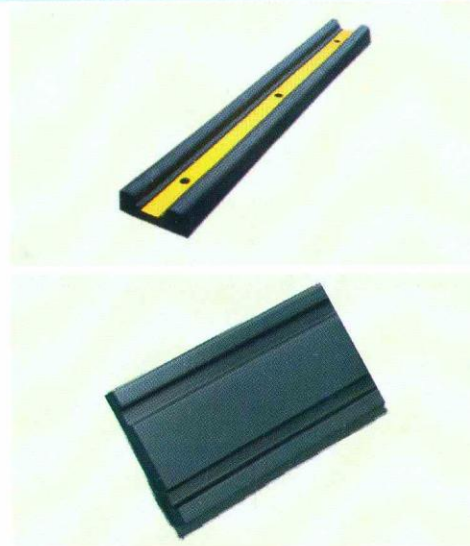
Wall Guards are designed to protect the structures from impact of trolleys and general warehouse traffic. They can also be used to protect corners.

## MATERIALS:

They are manufactured using high impact resistant Natural Rubber. They are also available in NEOPRENE and EPDM on request. Standard color is black. Designs are available with yellow and green strip. Wall Guards have excellent weather resistance impact resistance and are stain proof.

## SIZES:

Thickness	Width
25mm	200mm
25mm	250mm
25mm	300mm
30mm	120mm
30mm	200mm
30mm	300mm
40mm	200mm
50mm	200mm



## STANDARD LENGTHS:

The Standard Lengths of the Wall Guard is 4 meters.

## INSTALLATION:

The Wall Guard can be fixed horizontally to a wall or placed in short vertical strip on flat or curved surfaces using fix bolt.

