

RUBBER CORNER GUARDS

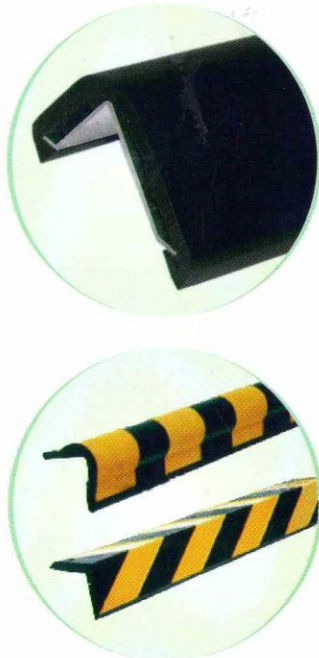
FOR IDEAL PROTECTION OF CONCRETE STRUCTURES IN
BASEMENT AND OTHER PARKING AREAS

DESCRIPTION:

The Corner Guards are designed to protect the edges of columns in structures.

MATERIALS:

They are manufactured using high impact resistant SBR Rubber. They are also available in NEOPRENE and EPDM on request. Standard color is Black. Designs are available with yellow and green strip. Rubber Corner Guards are weather resistant, abrasion resistant, crack resistant and do not stain the vehicle.



SIZES:

Rubber Corner Guards are available with or without galvanized iron insert clips in various sizes.

WING SIZES:

70mm x 70mm, 80mm x 80mm, 90mm x 90mm, 100mm x 100mm, 120mm x 120mm.

STANDARD LENGTH:

The standard length of the Corner Guard are 1 meter and 1.2 meter. Other sizes are available on request.

INSTALLATION:

The Corner Guards are mounted on GI inserts and appropriately bolted into columns by screws. Alternatively they can be fixed to the column surface using.

RUBBER STOP GUARDS

THE PERFECT WAY TO STOP AND AVOID DAMAGES

DESCRIPTION:

Wheel Stoppers are designed to provide good energy absorption from vehicle impact, thus protecting the anchor bolts from the impact. The anchor bolts are protected from direct stress unlike in concrete stoppers where all the force is transferred to the anchor bolts.

DESCRIPTION:

Wheel Stoppers are made of a high impact resistance extruded rubber and have excellent weather resistance, crack resistance and abrasion resistance quality. Also available in Neoprene and EPDM on request.

SIZES:

Wheel Stoppers are available in the following sizes:

Base Width	Height
135mm	100mm
140mm	100mm
150mm	100mm
150mm	150mm
200mm	100mm

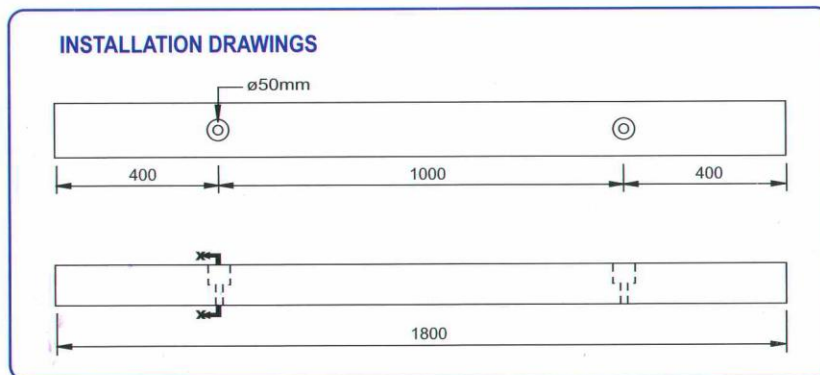


STANDARD LENGTH:

The standard length of the wheel Stopper is 1800mm.

INSTALLATION:

Wheel Stopper can be fixed using wench anchors by putting counter sunk in the stoppers.



RUBBER SPEED HUMPS

(SPEED BREAKERS) FOR GREATER SAFETY

DESCRIPTION:

The speed Humps are designed to reduce the speed of the vehicle.

MATERIALS:

The Speed Humps are made of high impact resistance moulded rubber. They have excellent weather resistant and abrasion resistant quality.

SIZES:

Speed Humps are available in the following Sizes:

- 250mm X 60mm
- 300mm X 60mm
- 350mm X 50mm
- 400mm X 60mm
- 450mm X 60mm
- 500mm X 60mm



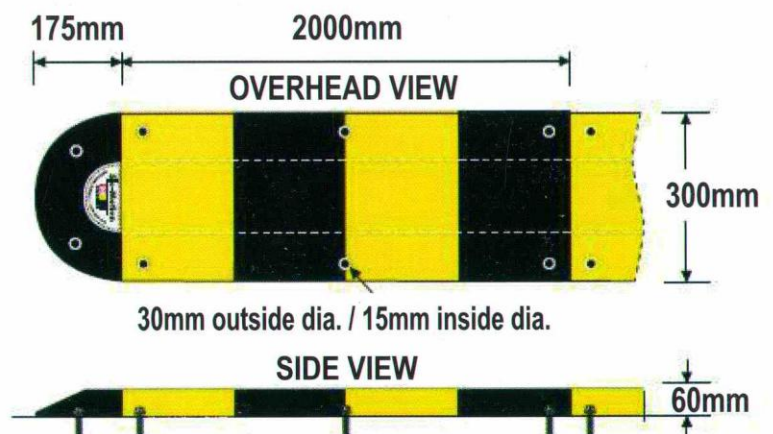
STANDARD LENGTHS:

The Standard Lengths of the Speed Humps are 500mm and 250mm.

INSTALLATION:

Speed Humps can be fixed using fix bolts in alternate black and yellow humps with end caps.

Available in Black & Yellow color



RUBBER WALL GUARDS

AN IDEAL WAY TO AVOID STRUCTURAL DAMAGES

DESCRIPTION:

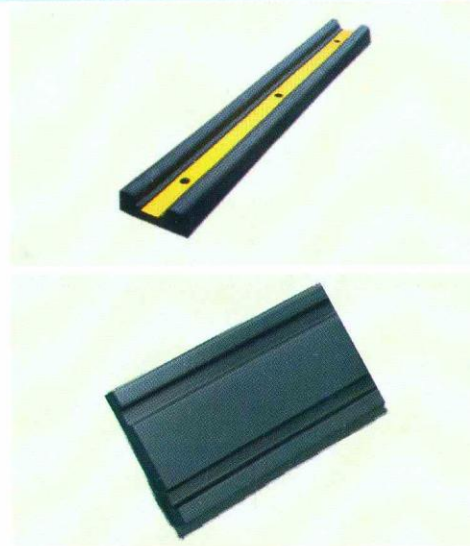
Wall Guards are designed to protect the structures from impact of trolleys and general warehouse traffic. They can also be used to protect corners.

MATERIALS:

They are manufactured using high impact resistant Natural Rubber. They are also available in NEOPRENE and EPDM on request. Standard color is black. Designs are available with yellow and green strip. Wall Guards have excellent weather resistance impact resistance and are stain proof.

SIZES:

Thickness	Width
25mm	200mm
25mm	250mm
25mm	300mm
30mm	120mm
30mm	200mm
30mm	300mm
40mm	200mm
50mm	200mm



STANDARD LENGTHS:

The Standard Lengths of the Wall Guard is 4 meters.

INSTALLATION:

The Wall Guard can be fixed horizontally to a wall or placed in short vertical strip on flat or curved surfaces using fix bolt.

