





ABOUT US


AGES ART is an India-based company, which offers creative home solution made up of high quality of marble. Located in a prime location of New Delhi, India, AGES ART were established back in the year 2014. In the marketplace, we are acknowledged as an eminent Manufacturer, Wholesaler, Distributor and Supplier of a wide concoction of products. Some of these include Marble, Blocks,

Slabs, Furniture, Carving, Mosaic, Design Pillar, Resin Wash Basin, Digital Wall Tiles, Jewellery, Fountain, Sculpture and much more. Our products are crafted by highly skilled craftsman on high quality marbles later embellished with embossed paint work.

The company's core strength lies in its constant endeavor to promote new varieties of world class products from time to time and also its ability in having fine-tuned concept of customer satisfaction to understand its client's needs.







SPECIFICATIONS

| | | |
|-----------------------|---------------------------------------|------------|
| Overall Dimensions | 60" L x 36" W (front to back) x 22" H | |
| Water Capacity | without overflow | 67 gallons |
| | with overflow | N/A |
| Water Depth | to top of tub | 18" H |
| | to overflow | N/A |
| Tub Weight Uncrated | 2000 lbs. | |
| Tub Rim | 3-1/2" wide | |
| Faucet Configurations | No Drillings | |

All measurements are approximate. Measurements may vary +/- 1/2".

60" Augustus

Chiseled Stone Tub



SPECIFICATIONS

| | |
|-----------------------|-----------------------------------------------|
| Overall Dimensions | 72" L x 36-1/2" W (front to back) x 20-1/2" H |
| Water Capacity | 39 gallons |
| without overflow | N/A |
| with overflow | N/A |
| Water Depth | 16" H |
| to top of tub | N/A |
| to overflow | N/A |
| Tub Weight Uncrated | 1223 lbs. |
| Tub Rim | 3-1/4" wide |
| Faucet Configurations | No Drillings |

All measurements are approximate. Measurements may vary +/- 1/2".

72" Nubian

Sandstone Tub



SPECIFICATIONS

| | |
|-----------------------|-----------------------------------------------|
| Overall Dimensions | 72" L x 36-1/4" W (front to back) x 23-1/2" H |
| Water Capacity | |
| without overflow | 39 gallons |
| with overflow | N/A |
| Water Depth | |
| to top of tub | 15" H |
| to overflow | N/A |
| Tub Weight Uncrated | 1528 lbs. |
| Tub Rim | 3-1/2" wide |
| Faucet Configurations | No Drillings |

All measurements are approximate. Measurements may vary +/- 1/2".

72" Lucius

Polished Sunny Gold
Marble Tub

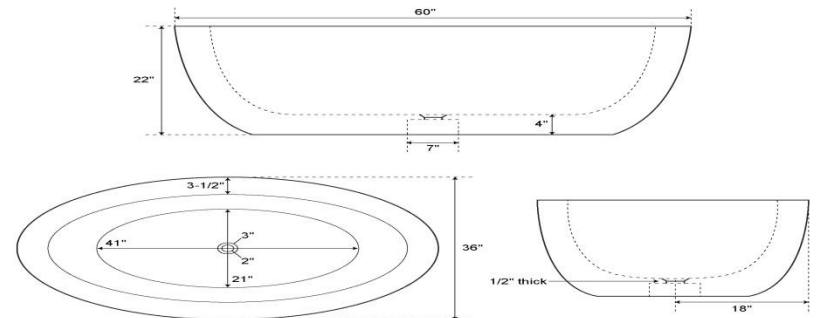


SPECIFICATIONS

| | | |
|-----------------------|---------------------------------------|------------|
| Overall Dimensions | 60" L x 36" W (front to back) x 22" H | |
| Water Capacity | without overflow | 67 gallons |
| | with overflow | N/A |
| Water Depth | to top of tub | 18" H |
| | to overflow | N/A |
| Tub Weight Uncreated | 2000 lbs. | |
| Tub Rim | 3-1/2" wide | |
| Faucet Configurations | No Drillings | |

All measurements are approximate. Measurements may vary +/- 1/2".

60" Augustus Chiseled Stone Tub





SPECIFICATIONS

| | |
|-----------------------|---------------------------------------|
| Overall Dimensions | 72" L x 38" W (front to back) x 32" H |
| Water Capacity | |
| without overflow | 62 gallons |
| with overflow | N/A |
| Water Depth | |
| to top of tub | 20" H |
| to overflow | N/A |
| Tub Weight Uncoated | 2000 lbs. |
| Tub Rim | 5" wide |
| Faucet Configurations | No Drillings |

All measurements are approximate. Measurements may vary +/- 1/2".

72" Hadrian

Blue Gray Granite
Stone Double-Slipper Tub

The technical drawings include:
 - A side profile view showing a length of 72", a height of 32", and a rim thickness of 5". The base is 8" high and 7" wide.
 - A top-down view showing an overall width of 38", an inner width of 40", and a depth of 18". The tub rim is 5" wide, and the base is 3" high.
 - A front view showing a width of 19" and a thickness of 1/2".



SPECIFICATIONS

| | |
|-----------------------|-------------------------------------------|
| Overall Dimensions | 72" L x 36-1/2" W (front to back) x 19" H |
| Water Capacity | |
| without overflow | N/A |
| with overflow | 33 gallons |
| Water Depth | |
| to top of tub | N/A |
| to overflow | 12-1/2" H |
| Tub Weight Uncrated | 1553 lbs. |
| Tub Rim | 3-1/4" wide |
| Faucet Configurations | No Drillings |

All measurements are approximate. Measurements may vary +/- 1/2".

72" Nubian

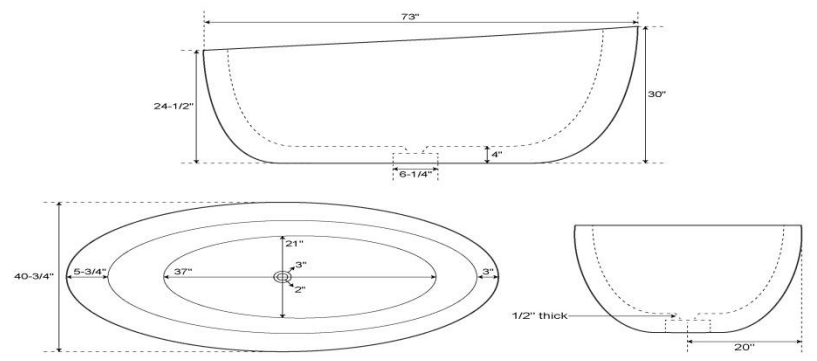
Sandstone Tub
With Overflow



SPECIFICATIONS

| | |
|-----------------------|-------------------------------------------|
| Overall Dimensions | 73" L x 40-3/4" W (front to back) x 30" H |
| Water Capacity | 74 gallons |
| without overflow | N/A |
| with overflow | N/A |
| Water Depth | 22" H |
| to top of tub | N/A |
| to overflow | 2258 lbs. |
| Tub Weight Uncrated | 00" wide |
| Tub Rim | No Drillings |
| Faucet Configurations | |

73" Kalahari
Sandstone Slipper Tub



All measurements are approximate. Measurements may vary +/- 1/2".

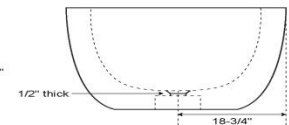
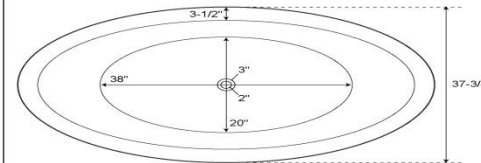
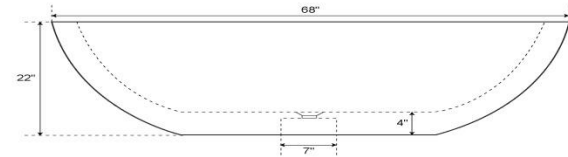


SPECIFICATIONS

| | |
|-----------------------|-------------------------------------------|
| Overall Dimensions | 68" L x 37-3/4" W (front to back) x 22" H |
| Water Capacity | |
| without overflow | 59 gallons |
| with overflow | N/A |
| Water Depth | |
| to top of tub | 18" H |
| to overflow | N/A |
| Tub Weight Uncratered | 2000 lbs. |
| Tub Rim | 3-1/2" wide |
| Faucet Configurations | No Drillings |

All measurements are approximate. Measurements may vary +/- 1/2".

68" Claudius
Oval Travertine Tub
Beige Travertine







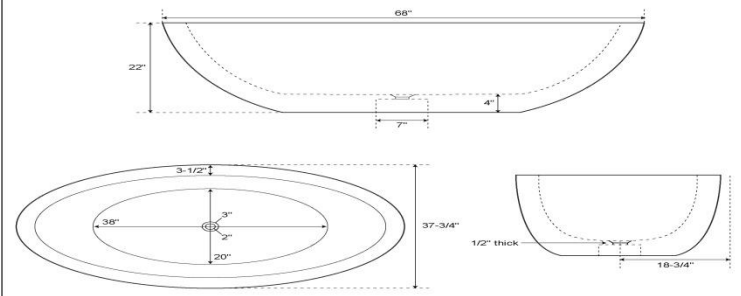


SPECIFICATIONS

| | |
|-----------------------|-------------------------------------------|
| Overall Dimensions | 68" L x 37-3/4" W (front to back) x 22" H |
| Water Capacity | 59 gallons |
| without overflow | N/A |
| with overflow | N/A |
| Water Depth | 18" H |
| to top of tub | N/A |
| to overflow | 2000 lbs. |
| Tub Weight Uncoated | 3-1/2" wide |
| Tub Rim | No Drillings |
| Faucet Configurations | |

All measurements are approximate. Measurements may vary +/- 1/2".

68" Flavius
Oval Travertine Tub
Silver Travertine






SPECIFICATIONS

| | |
|-----------------------|-------------------------------------------|
| Overall Dimensions | 72" L x 36" W (front to back) x 23-1/4" H |
| Water Capacity | |
| without overflow | 31 gallons |
| with overflow | N/A |
| Water Depth | |
| to top of tub | 15" H |
| to overflow | N/A |
| Tub Weight Unrated | 1590 lbs. |
| Tub Rim | 3-1/2" wide |
| Faucet Configurations | No Drillings |

All measurements are approximate. Measurements may vary +/- 1/2".

72" Lucius
Polished Moon White
Marble Tub





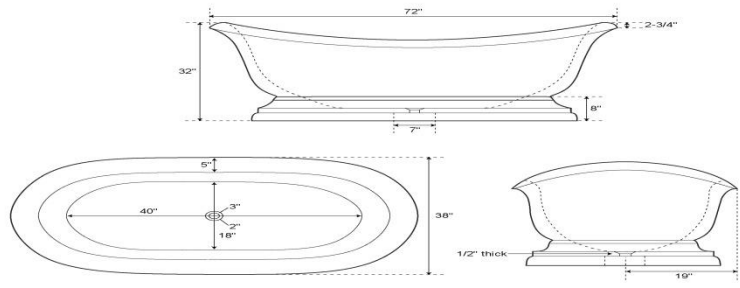
SPECIFICATIONS

| | |
|-----------------------|---------------------------------------|
| Overall Dimensions | 72" L x 38" W (front to back) x 32" H |
| Water Capacity | 62 gallons |
| without overflow | N/A |
| with overflow | N/A |
| Water Depth | 20" H |
| to top of tub | N/A |
| to overflow | N/A |
| Tub Weight Uncoated | 2000 lbs. |
| Tub Rim | 5" wide |
| Faucet Configurations | No Drillings |

All measurements are approximate. Measurements may vary +/- 1/2".

72" Hadrian

Carrara Marble
Stone Double-Slipper Tub



Technical drawing details:
 - Side view: Overall length 72", height 32", base width 19", base depth 6".
 - Top view: Overall length 72", overall width 38", inner length 40", inner width 18", rim width 5".
 - Front view: Shows the slipper shape and 1/2" thick base.

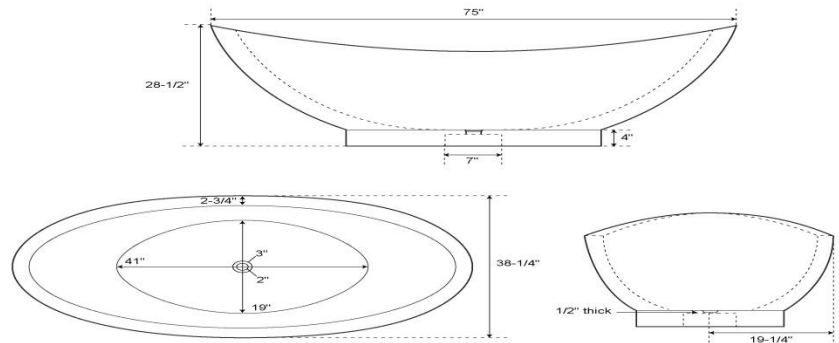


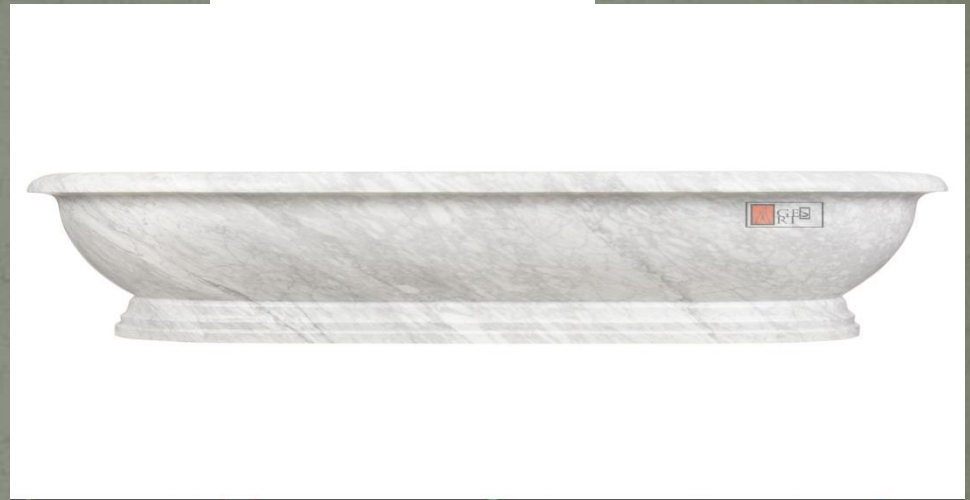
SPECIFICATIONS

| | |
|-----------------------|-----------------------------------------------|
| Overall Dimensions | 75" L x 38-1/4" W (front to back) x 28-1/2" H |
| Water Capacity | |
| without overflow | 60 gallons |
| with overflow | N/A |
| Water Depth | |
| to top of tub | 18" H |
| to overflow | N/A |
| Tub Weight Uncrated | 2000 lbs. |
| Tub Rim | 2-3/4" wide |
| Faucet Configurations | No Drillings |

All measurements are approximate. Measurements may vary +/- 1/2".

75" Vespasian Stone Double-Slipper Tub



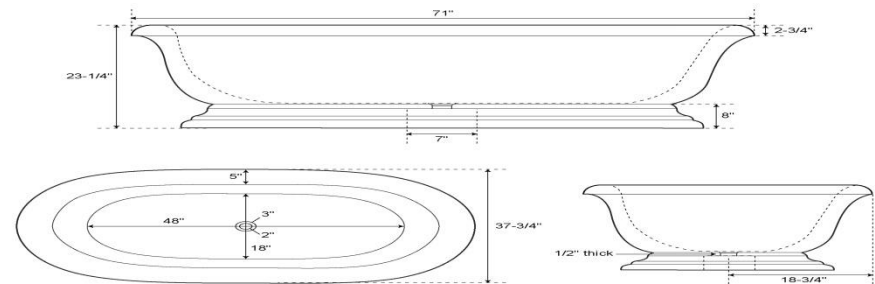


SPECIFICATIONS

| | |
|-----------------------|-----------------------------------------------|
| Overall Dimensions | 71" L x 37-3/4" W (front to back) x 23-1/4" H |
| Water Capacity | 71 gallons |
| without overflow | N/A |
| with overflow | N/A |
| Water Depth | 19" H |
| to top of tub | N/A |
| to overflow | 2000 lbs. |
| Tub Weight Uncrated | 5" wide |
| Tub Rim | No Drillings |
| Faucet Configurations | |

All measurements are approximate. Measurements may vary +/- 1/2".

71" Tiberius Double-Ended Pedestal Tub



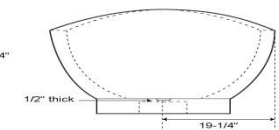
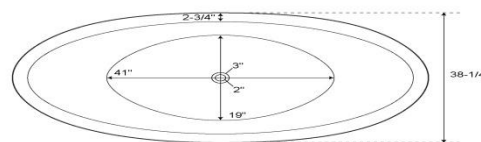
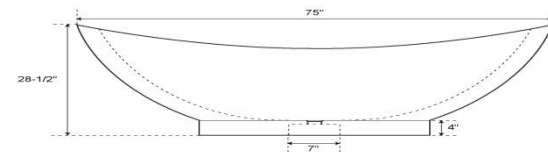


SPECIFICATIONS

| | |
|-----------------------|-----------------------------------------------|
| Overall Dimensions | 75" L x 38-1/4" W (front to back) x 28-1/2" H |
| Water Capacity | |
| without overflow | 60 gallons |
| with overflow | N/A |
| Water Depth | |
| to top of tub | 18" H |
| to overflow | N/A |
| Tub Weight Uncreated | 2000 lbs. |
| Tub Rim | 2-3/4" wide |
| Faucet Configurations | No Drillings |

All measurements are approximate. Measurements may vary +/- 1/2".

75" Vespasian Stone Double-Slipper Tub





WHY AGES ART INDIA

- ❖ A complete house of Marble & Marble related products.
- ❖ Large variety of Unique & Antique products.
- ❖ Timely Delivery.
- ❖ Minimum chances of transit damage.
- ❖ Quantity- not an issue.
- ❖ Customization possible.
- ❖ Consistent quality.
- ❖ Equal importance to all customers.
- ❖ Regular updates for new products through Website, Facebook,

Instagram, Twitter, Whatsapp etc.

