



**PRESSURE SWITCHES
PRESSURE DIFFERENCE SWITCHES
VACUUM SWITCHES**
From 1.5 mbar to 600 bar



MJ/MK Pressure Switches

INSTALLATION AND OPERATING INSTRUCTIONS



Authorised Dealer

Certificate No.: FM72815



NK Instruments Pvt. Ltd.

B-501/504, 5th floor, Raunak Arcade, Near THC Hospital, Gokhale Road, Naupada,
Thane(W) 400602. Maharashtra INDIA Telefax Nos.: 91-22-25301330 / 31 / 32
E-Mail: sales@nkstruments.com Web: <http://www.nkstruments.com>
Skype: nitinkelkarskype Gtalk: nkstruments2006



ISO 9001:2008

INSTALLATION AND OPERATING INSTRUCTIONS FOR MJ/MK MODELS

CONSTRUCTION:

The pressure switch is housed in a diecast aluminium enclosure which conforms to IP54 protection factor. Rubber gaskets can be provided optionally to provide an IP65 enclosure. For calibrated models a scale, visible through a window, is provided. The pressure capsule at the bottom of the switch comprises a pressure housing (either of aluminium, brass or SS316), a disc, nylon reinforced rubber diaphragm and a plunger. The electrical change over is through snap action microswitches. The electrical wiring terminates at terminals having screwed ends. 3/8" cable glands have been provided for cable entry.

PRINCIPLE OF OPERATION:

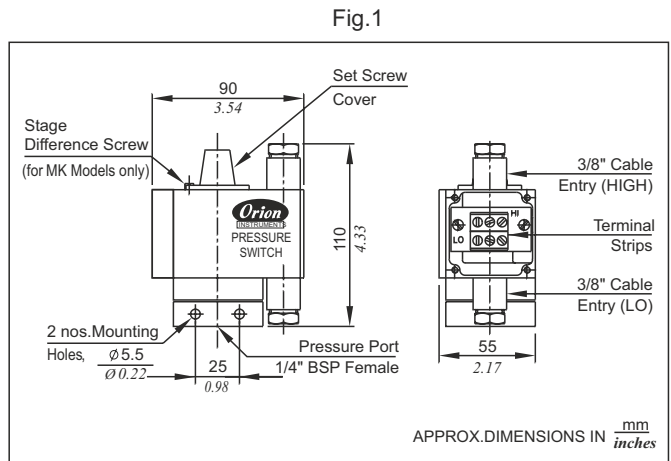
The pressure in the pressure capsule is converted in to force by means of a reinforced rubber diaphragm and a calibrated piston, which is balanced by a compression spring from above. When the force generated by the pressure in the pressure capsule exceeds/falls beyond the balancing spring force, the electrical elements are actuated. The additional mechanism in MK models allows the user to change the stage difference (or gap), which is the difference between operating setpoints.

MOUNTING:

Please refer Fig.1

These pressure switches can be mounted in any direction.

1. For high range pressure switches
 - a) Pressure switches can be mounted directly in case the mounting is rigid.
 - b) For panel mounting, use M5 bolts of appropriate length through the mounting holes. If the equipment is subject to vibration, please use rubber washers/pads between the panel and the switch.
- 2) Connect the pressure tubing to the pressure port. The pressure port size is generally 1/4" BSP Female otherwise, unless specifically ordered otherwise. Other sizes can be obtained via adaptors.



ELECTRICAL CONNECTIONS:

MJ series pressure switches will have two SPDT microswitches which are synchronized for operation within 2% FSR. The scale, if provided, will correspond to rising pressure.

For MK series pressure switches, the scale will correspond to 'low' microswitch. The setpoint of the other microswitch can be varied and the on-off differential of the other microswitch will depend on the stage difference between the two setpoints.

WIRING:

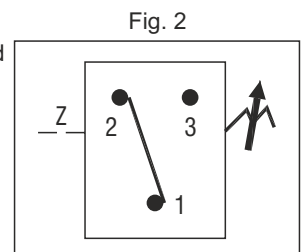
Please Refer Fig.3

- a) Remove the right hand side (RHS) cover. Pass the cable through the cable gland and connect the wiring as per your wiring diagram. The terminal numbers are clearly identified for wiring. In MK series, the end terminations of HI and LO microswitches are identified.

Terminal 1 (Common): C

Terminal 2 (Normally Closed): NC

Terminal 3 (Normally Open): NO



SETPOINT ADJUSTMENT:

FOR **MJ MODELS** : Please refer fig. 3

- 1) Remove the setscrew cover.
- 2) i)For **MJ UNCALIBRATED** Models : Turn the setscrew to the extreme negative end.
ii)For **MJ CALIBRATED** Models: Adjust the desired setpoint on the scale. The scale is calibrated for rising setpoints and will correspond to one of the microswitches.
- 3) Apply the desired cutin (lower)/cutout (higher) pressure to the pressure switch.
- 4) i)For **MJ UNCALIBRATED** Models : Increase the pressure setting by turning the setscrew till contacts changeover.
ii)For **MJ CALIBRATED** Models: Proceed to Step 5
- 5) Some minor adjustment will be required to achieve the exact cutin (lower)/cutout (higher) point, which can be checked with the help of a proper pressure measurement device.
- 6) Replace the setscrew cover.

Tip.: The pressure switches are factory set at half the setpoint range (unless otherwise specified in a Purchase Order). Step 2 can be omitted if the desired setpoint is more than the factory setting.

FOR **MK MODELS**

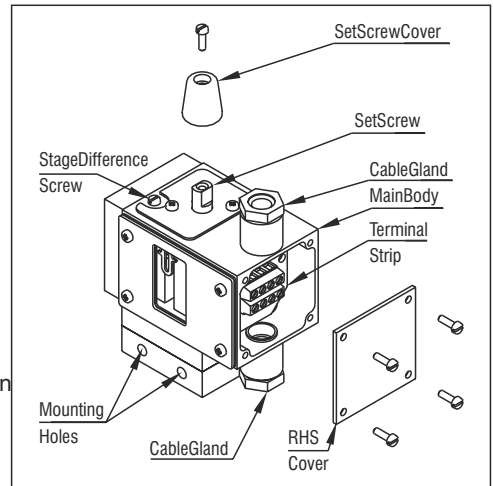
- 1) Decide the cut-in/cutout (of low microswitch) pressure P1 & the cut-in/cut-out (of upper microswitch) pressure P2. The stage difference will be $(P2-P1)$. A preset stage difference already exists, which is generally not more than 15% of FSR.
- 2) Remove the setscrew cover.
- 3) a) For **MK UNCALIBRATED** models
 - i) Turn the setscrew to the extreme negative end.
 - ii) Turn the stage difference screw to the extreme negative end.
 - iii) Apply the desired cutin (for low microswitch) pressure P1 to the pressure switch.
 - iv) Increase the pressure setting by turning the setscrew till contacts for low microswitch changeover.
- b) For **MK CALIBRATED** models
 - i) set the cut-in point of low microswitch on the main-scale with the help of the set-screw.
- 4) Turn the stage difference screw to the extreme positive end.
- 5) Apply the desired approx. cutout (of high microswitch) pressure to the pressure switch.
- 6) Decrease the stage difference setting by turning the stage difference screw till contacts changeover.
- 7) Some minor adjustment will be required to achieve the exact cutin/cutout (of low microswitch) and cut-in/cutout (of high microswitch) point, which can be checked with the help of proper pressure measurement device.
- 8) Replace the setscrew cover.

TROUBLE SHOOTING TIPS

Generally no problems are observed if the pressure switch selection, wiring and the setpoint is proper. For a pressure switch selection procedure, please consult our sales office.

For properly selected pressure switches, if following symptoms are observed, the likely causes and remedies are as stated below.

Fig. 1.3



SYMPTOM 1: SWITCH DOES NOT OPERATE

- 1) Wiring may not be correct. Check electrical connections to the pressure switch, if they are as per the wiring diagram.
- 2) Pressure does not reach the pressure port.
 - a) Check if the entry to the pressure capsule is not blocked by frozen process or scales or impurities in the process.
 - i) If this is the case, try freeing the blocked path by a blunt tool in case of scales and impurities.
 - ii) For frozen process, it is advisable to use chemical seals.

DO NOT OPEN THE PRESSURE CAPSULE IN ANY EVENT.

If the cause is none of the above mentioned probabilities, proceed as per the following steps for low as well as high microswitch.

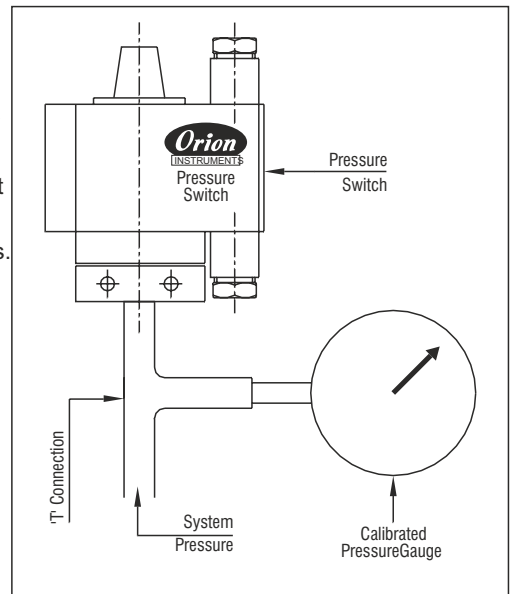
- b) Check the system pressure & setpoint of pressure switch.

For use of pressure switch for falling setpoints, system pressure has to be greater than the cutout point.

For use of pressure switch for rising setpoints, the system pressure may not be reaching/exceeding the cutout point.

- i) For MK models turn the stage difference screw to the extreme negative end.
- ii) Use 'T' connection & connect calibrated pressure gauge to the 'T' connection as shown in the figure 4.
- iii) Adjust the setpoints such that the system pressure is greater than the cutout points of the pressure switch.
- iv) If the switch still does not operate, remove the pressure switch physically from the system. There should be continuity between terminals 1 & 2. If no continuity is observed the pressure switch should be returned to the factory.

Fig.1.4



SYMPTOM 2: SHORT WIRING:

Isolate the switch electrically. Check the continuity between terminals and the screws fitted to the body. If no continuity is observed between any of the terminals and the screws fitted to the body, check the short connection elsewhere in the circuit. If continuity is observed, the wires of the pressure switch have internally touched the body, and the switch should be returned to the factory.

SYMPTOM 3: LEAKAGE:

In case leakage is observed, the pressure switch has to be returned to the factory without opening the pressure capsule. Check for the following likely causes and use a new switch taking proper precautions.

- a) System pressure is greater than working pressure. Use an over range protector or a switch with appropriate maximum working pressure.

Incompatible wetted parts: The working medium may not be compatible with wetted parts, which damages the sealing of the process from working parts. Use a chemical seal for the pressure switch or use proper compatible wetted parts.
- b) Excessive process temperature: Process temperature may exceed maximum allowable temperature, which in turn damages the diaphragms. Use an impulse tubing of proper length for cooling the process temperature. There may be a pressure drop depending on the length of the impulse tube used. Adjust the setpoint of the pressure switch accordingly.

SYMPTOM 4: CHATTERING:

- 1) Check the system pressure for surges. Chattering is observed where the system pressure is close to the cutin/cutout point and the surge pressure exceeds the on-off differential. Use a pressure switch with adjustable differential or use surge dampers in your system.
- 2) If there is a relay in the circuit, check if the relay is properly plugged in. Chattering may be due to loose contacts.

Authorised Dealer



NK Instruments Pvt. Ltd.

B-501/504, 5th floor, Raunak Arcade, Near THC Hospital, Gokhale Road, Naupada,
Thane(W) 400602. Maharashtra INDIA Telefax Nos.: 91-22-25301330 / 31 / 32
E-Mail: sales@nkinstruments.com Web: <http://www.nkinstruments.com>
Skype: nitinkelkarskype Gtalk: nkinstruments2006

