



**PRESSURE SWITCHES
PRESSURE DIFFERENCE SWITCHES
VACUUM SWITCHES**
From 1.5 mbar to 600 bar

KU OEM High Range Pressure Switches

C A T A L O G U E



Authorised Dealer



NK Instruments Pvt. Ltd.

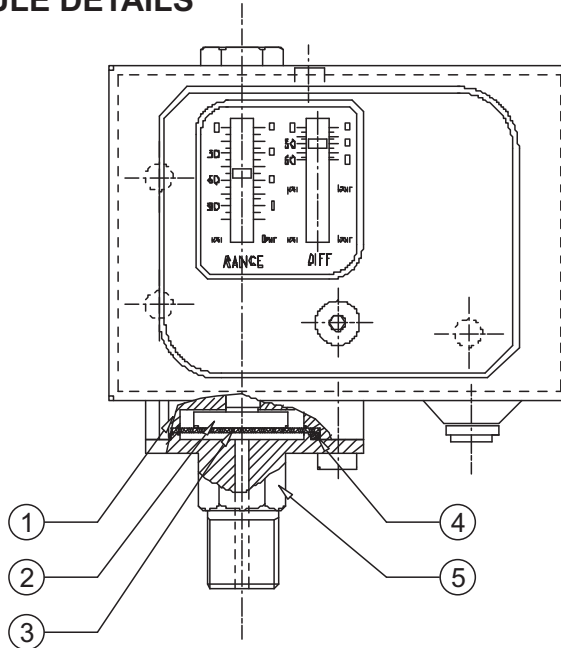
B-501/504, 5th floor, Raunak Arcade, Near THC Hospital, Gokhale Road, Naupada,
Thane(W) 400602. Maharashtra INDIA Telefax Nos.: 91-22-25301330 / 31 / 32
E-Mail: sales@nkinstruments.com Web: <http://www.nkinstruments.com>
Skype: nitinkelkarskype Gtalk: nkinstruments2006



KU OEM HIGH RANGE PRESSURE SWITCHES



PRESSURE CAPSULE DETAILS

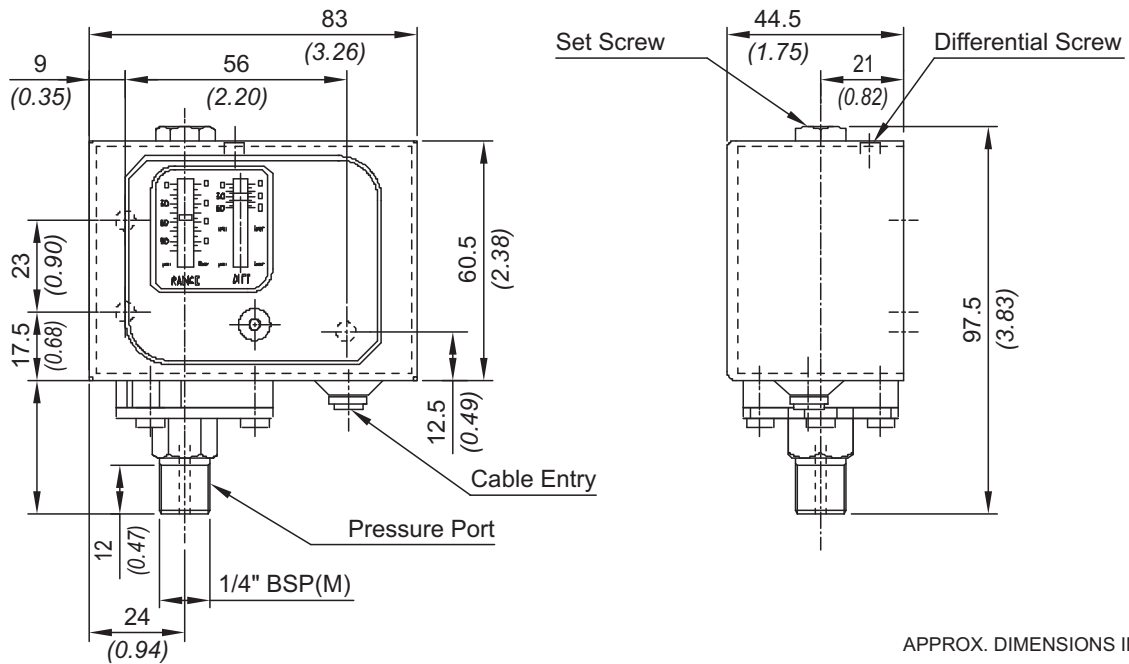


No. Description

1. Disc
2. Plunger
3. Diaphragm (Teflon®)
4. 'O' ring (Teflon®)
5. Pressure Housing (SS316)

Note : *wetted parts* are mentioned in italics.

INSTALLATION DRAWING



APPROX. DIMENSIONS IN $\frac{\text{mm}}{\text{inches}}$

General information:

KU series pressure switches are housed in pressed steel powder coated enclosure and are recommended for panel mounting or indoor service. The repeat accuracy is better than +/-1.5 % FSR, Pressure port is 1/4" BSPM standard.

Features:

- Compact
- SS316 & Teflon as standard wetted parts
- Electrical Rating : 5A,250VAC;0.2A,250VDC(res)
- Pressure port : 1/4" BSPM

Range Selection Table

Model	+ Range Bar (psi)	*Adjustable Differential bar (psi)	Maximum Working Pressure bar (psi)
KU7	0.5 - 7.0 (7.14 - 100.0)	0.8 - 6.0 (11.43 - 85.71)	12 (171.43)
KU15	1.0 - 15.0 (14.29 - 214.29)	1.5 - 10.0 (21.43 - 142.86)	25 (357.14)
KU30	5.0 - 25.0 (71.43 - 357.14)	2.5 - 10.0 (35.71 - 142.86)	35 (500.00)

Minimum Differential increases with Setpoint (Graphs available on request)

HOW TO ORDER KU OEM HIGH RANGE PRESSURE SWITCHES

Please specify model number as per range selection table above.

WARRANTY :

Our products are warranted against defect in specified material and workmanship under specified normal service conditions for 12 months after being placed in service but not more than 18 months from the date of shipment, provided such items are returned free to our works at PUNE.

Company's liability in respect of defective parts is limited to making good by replacement, or repair defects, to be determined by the company. This is, provided the purchaser has given immediate written notice upon discovery of such defects, but within the time specified above. The replaced / repaired parts will be supplied exworks.

The company will be relieved of it's obligation if any arbitrary attempt to rectify has been undertaken by purchaser/user. This warranty does not cover normal wear and tear and damage due to corrosion or erosion.

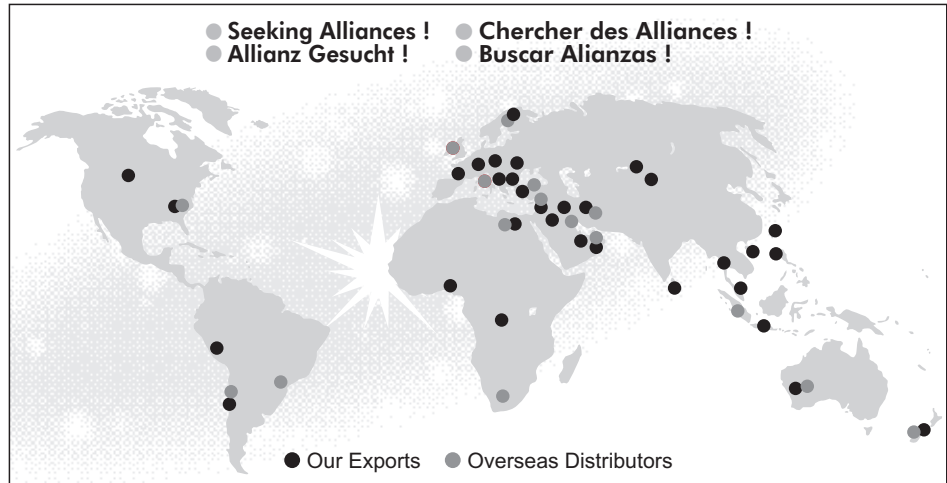
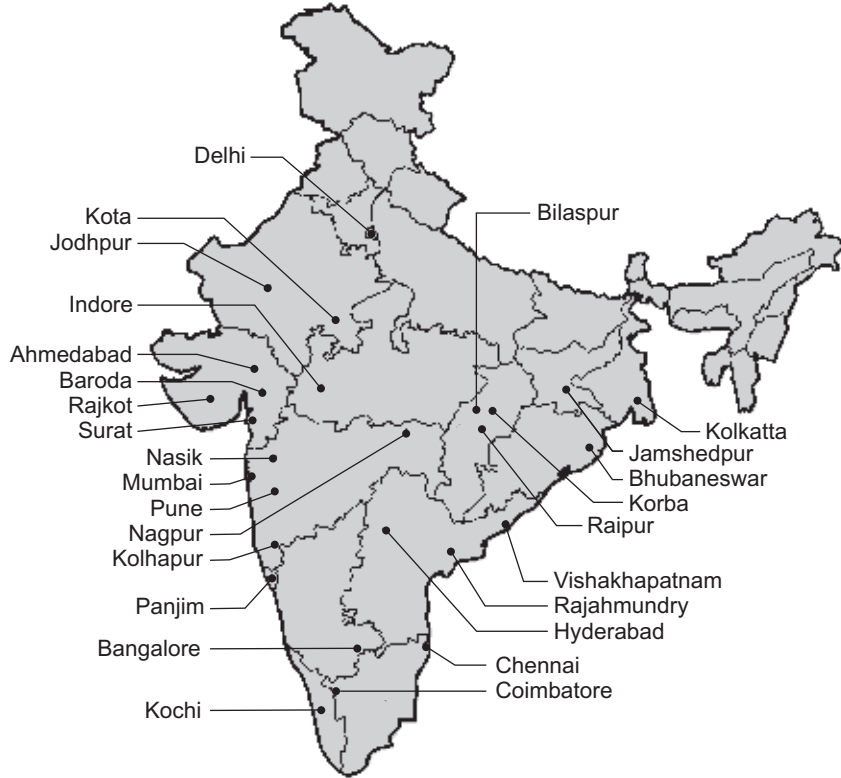
The company's liability is limited to making good the part or parts which are defective and excludes any and every other obligation for loss or damage, direct or consequential.

The foregoing is in lieu of all other expressed and implied warranties(except of title), including those of merchantability and fitness for a particular purpose.

Although we provide application assistance, either through our literature or personally, it is the responsibility of the customer to determine the suitability of the product in the application. Customer's interpretation and implementation of application suggestions and recommendation by Kaustubha Udyog, general or specific, transmitted verbally or in writing, published or unpublished, is strictly at the buyer's own risk.

Your Local Representative

REPRESENTATIVES



Note : As efforts are made constantly to improve both design and method of manufacture, the apparatus supplied may differ in detail from illustration and data printed. Please check the specifications while ordering

Authorised Dealer



NK Instruments Pvt. Ltd.

B-501/504, 5th floor, Raunak Arcade, Near THC Hospital, Gokhale Road, Naupada, Thane(W) 400602. Maharashtra INDIA
E-Mail: sales@nkinstruments.com
Skype: nitinkelkarskype
Telefax Nos.: 91-22-25301330 / 31 / 32
Web: http://www.nkinstruments.com
Gtalk: nkinstruments2006

