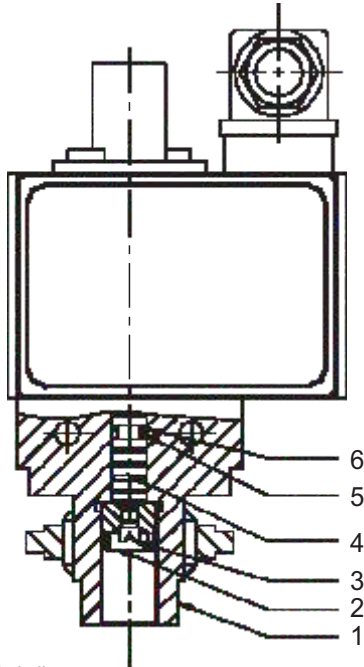


DN / DA HYDRAULIC PRESSURE SWITCHES



PRESSURE CAPSULE DETAILS

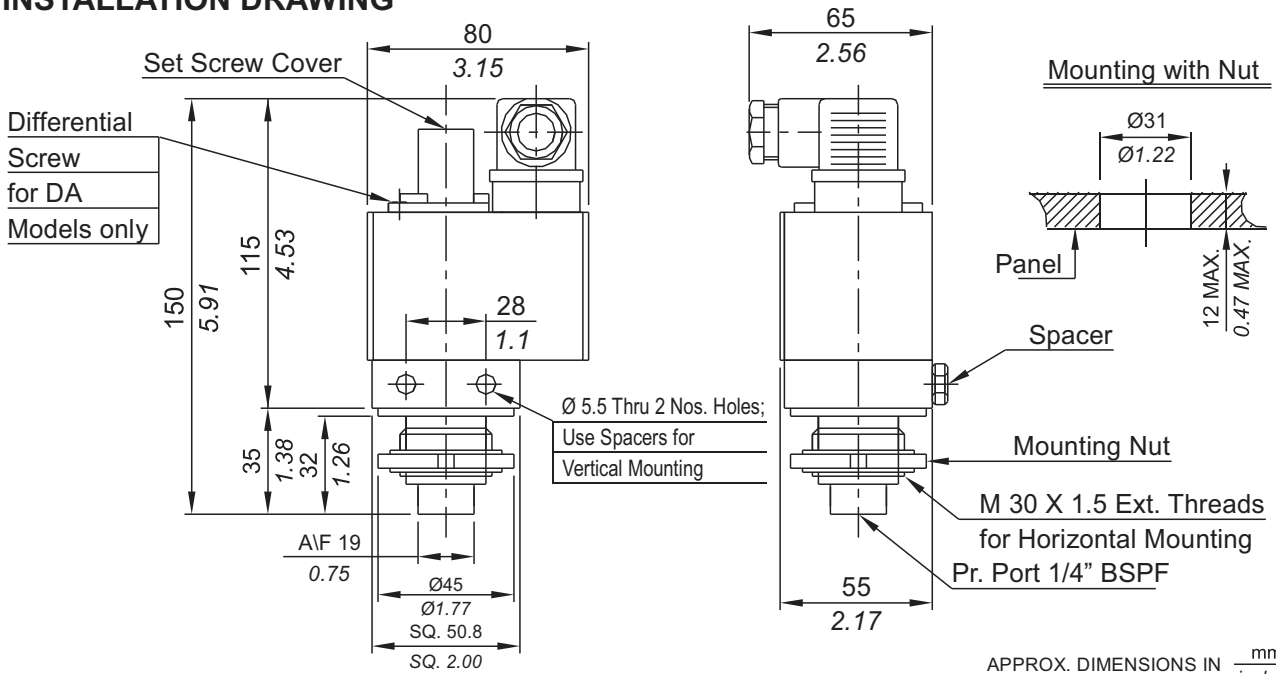


No. Description

1. Pressure Housing
2. Surge arrestor
3. Surge reducer
4. Piston
5. O ring
6. Backup ring

Note : wetted parts are mentioned in italics.

INSTALLATION DRAWING



APPROX. DIMENSIONS IN $\frac{\text{mm}}{\text{inches}}$

HYDRAULIC PRESSURE SWITCHES DN / DA

General information:

DN / DA series pressure switches are housed in pressure die cast aluminium powder coated enclosure and are recommended for panel / line mounting or outdoor service. The repeat accuracy is better than $\pm 1\%$ FSR. A connector to DIN 43650 is provided for electrical wiring. Pressure port is $\frac{1}{4}$ " BSPF standard.

Features:

- ! Compact
- ! Separate chamber for working parts
- ! Choice of wetted parts to suit working media
- ! Wide band adjustable differential in DA series.
- ! Electrical rating : 5A,250VAC;0.2A,250VDC(res.)
- ! Pressure port : $\frac{1}{4}$ " BSPF

Some Applications : Used for hydraulic applications like loading and unloading in CNC, VMC machining centres, chuck clamping, etc.

Range Selection Table

	DN	DA	
Range Code	Range † bar (psi)	*Approximate Maximum Differential bar (psi)	* Adjustable Differential bar (psi) / Maximum Working Pressure bar (psi)
040	3 - 40 (43.51 - 580.15)	5 (72.52)	5 - 10 (72.52 - 145.04) / 80 (1160.30)
100	10 - 100 (145.04 - 1450.38)	12 (174.05)	10 - 20 (145.04 - 290.08) / 120 (1740.45)
200	7 - 200 (101.52 - 2900.76)	24 (348.09)	18 - 30 (261.06 - 435.11) / 200 (2900.76)
400	100 - 400 (1450.38 - 5801.51)	40 (580.15)	30 - 40 (435.11 - 580.15) / 400 (5801.51)

* minimum differential rises with setpoint (Graphs available on request)
 † rising pressure for DN series; falling pressure for DA series.

Wetted Parts Table for DN / DA Series.

	Standard	Optional	Special
Piston	EN8	S.S.	for special wetted parts through chemical seals, please refer page 330,331 & 332 and specify in text accordingly.
*Backup ring	Teflon	Teflon	
O ring	Viton	Viton	
Pressure housing	Aluminium	Brass	
Surge suppressor	EN8	Brass	
Surge reducer	Brass	Brass	

* Backup ring is not used in all pressure ranges. Please contact sales office for details.

How to order DN / DA series hydraulic pressure switches.

Group 1	Group 2	Group 3	Group 4	Group 5
Model	Range	Range Scale	Wetted Parts	-
DN - Fixed diff. Hydraulic Pressure switch DA -Adjustable diff. Hydraulic Pressure Switch	Please select as per range code table	U - uncalibrated C -calibrated	S -for Standard Wetted parts. B -for optional wetted parts mentioned in table above. X -Specify wetted parts in text as per wetted parts table above.	Reserved for non Standard modifications. Code will be given by company

eg. A fixed differential hydraulic pressure switch, pressure range from 5 to 40 bar, in uncalibrated style and standard wetted parts shall be specified by

Group 1	Group 2	Group 3	Group 4	Group 5
DN	040	U	S	-

Please specify full model number to avoid ambiguity. If only the first two groups are specified while ordering, pressure switches with standard wetted parts will be supplied.

Continuous efforts for product development may necessitate changes in these details without notice

Authorised Dealer



NK Instruments Pvt. Ltd.

B-501/504, 5th floor, Raunak Arcade, Near THC Hospital, Gokhale Road, Naupada, Thane(W) 400602. Maharashtra INDIA
 E-Mail: sales@nkstruments.com
 Skype: nitinkelkarskype

Telefax Nos.: 91-22-25301330 / 31 / 32
 Web: http://www.nkstruments.com
 Gtalk: nkstruments2006

