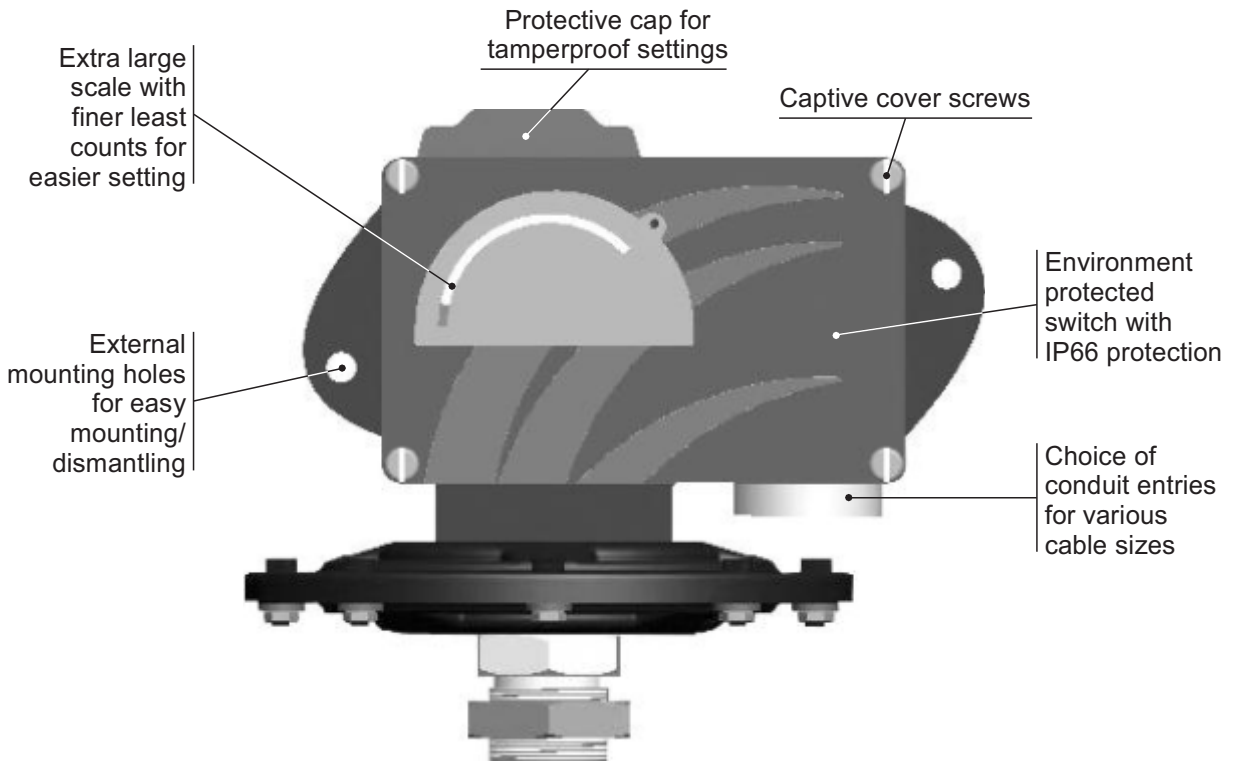
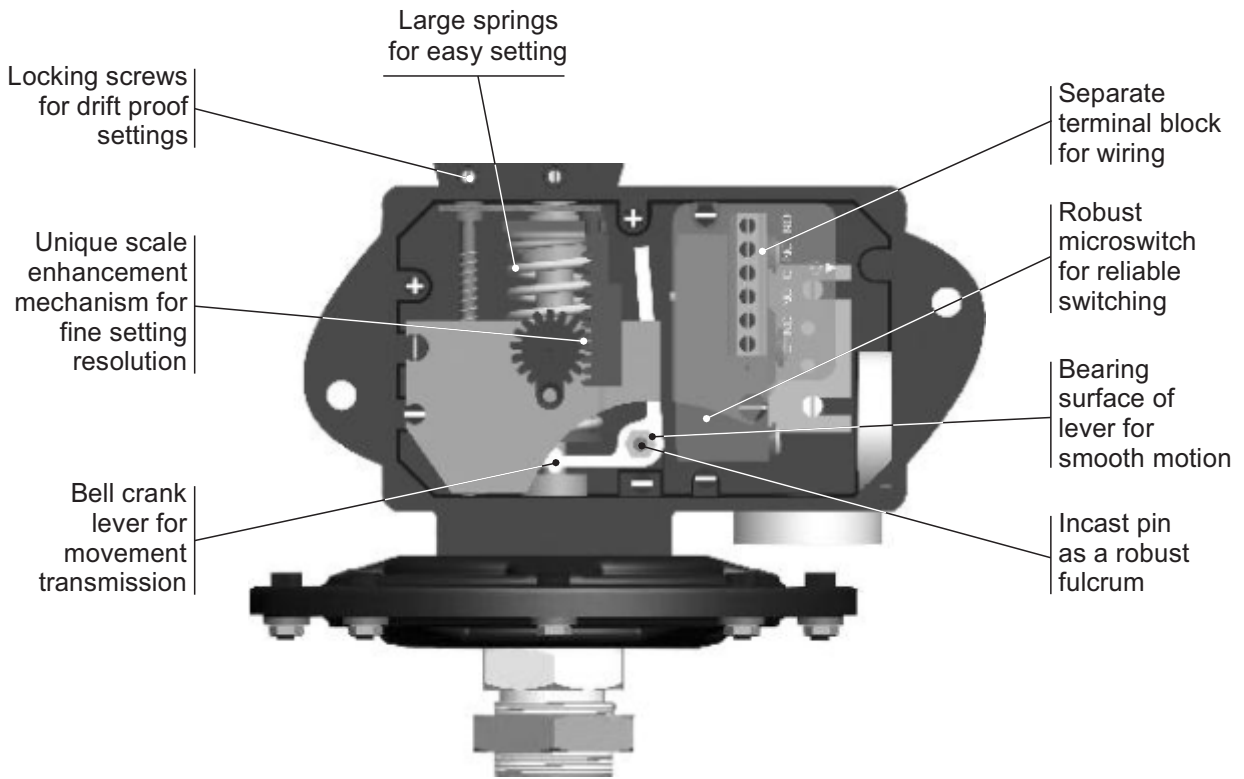


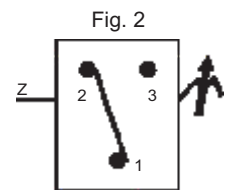
# MD LOW RANGE COMPOUND SWITCHES



**Approximate Weight :** 1.500 Kg.

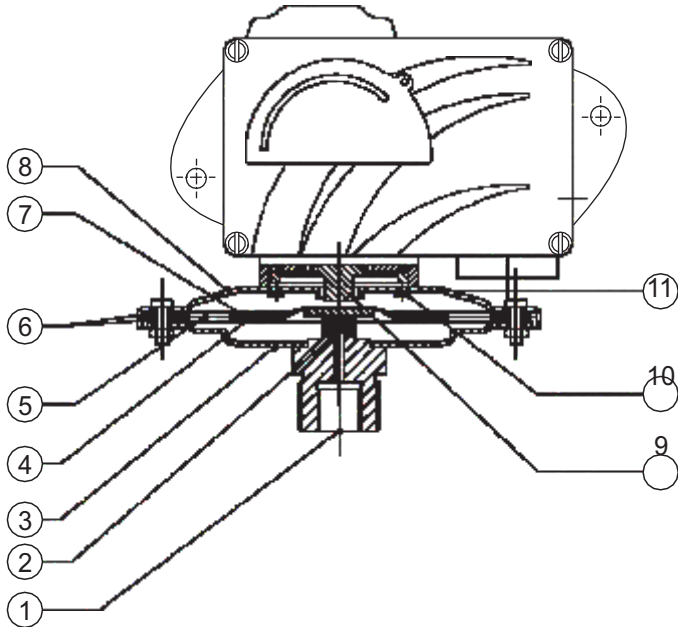
**Some Applications :** Used in furnaces, turbines etc.

**Electrical Connection :**





## PRESSURE CAPSULE DETAILS



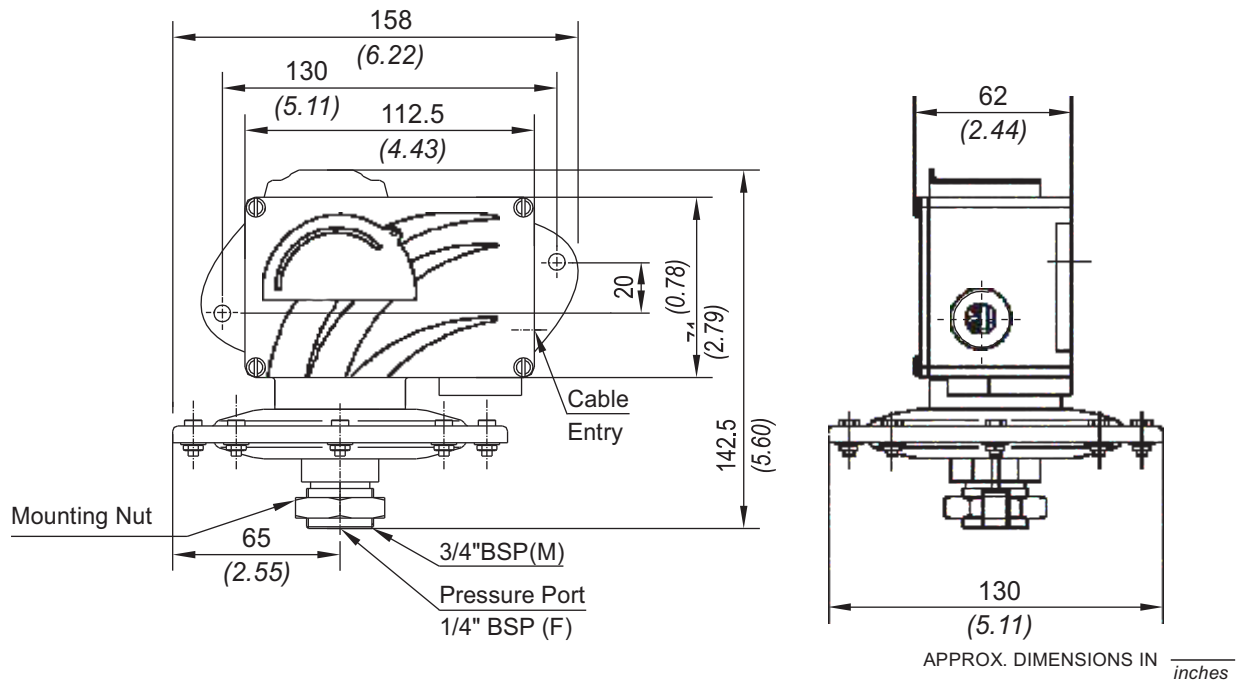
### No. Description

1. *Pressure port (M.S.)\**
2. *Support spring (S.S.)*
3. *Bottom flange (M.S.)*
4. *Support plate (Aluminium)*
5. *Diaphragm (Neoprene)*
6. *Gasket (Nitrile)*
7. *Top plate (Aluminium)*
8. *Top flange (M.S.)*
9. *Plunger*
10. *Top flange screw (M.S.)*
11. *Sealing 'O' ring (Nitrile)*

\*Pressure port is brazed with flange

Note : *wetted parts* are mentioned in italics.

## INSTALLATION DRAWING



mm

# MD LOW RANGE COMPOUND

## SELECTION TABLE

Range Code	Range mm wc ("wc)	Differential* mm wc ("wc)	Maximum Working Pressure bar (psi)
		Approximate Maximum for "A1" microswitch	
CL2	-150 to 150 (-5.905 to 5.905)	40 (1.605)	2 (29.00)
CL3	-250 to 250 (-9.842 to 9.842)	60 (2.410)	2 (29.00)

\*Minimum differential increases with setpoint, values with neoprene diaphragm (Graphs available on request)

\* Differentials of microswitches A2 through A9 will vary. Differentials for A7 are typically twice that for A1 microswitch. Please indicate specifically the differential value in enquiry/order, when it is critical in your application.

Authorised Dealer



*NK Instruments Pvt. Ltd.*

B-501/504, 5th floor, Raunak Arcade, Near THC Hospital, Gokhale Road, Naupada,  
Thane(W) 400602. Maharashtra INDIA      Telefax Nos.: 91-22-25301330 / 31 / 32  
E-Mail: sales@nkinstruments.com      Web: <http://www.nkinstruments.com>  
Skype: nitinkelkarskype      Gtalk: nkinstruments2006



Group 1	Group 2	Group 3	Group 4	Group 5	Group 6	Group 7	Group 8
Non standard allocation  <input type="checkbox"/> Reserved for non-standard options not covered in catalogue. Will be given by manufacturer, only after agreement of supply details with customer.	<b>MD</b> = Industrial pressure switch with diecast Aluminium enclosure to IP66 as per IS2147	<b>1</b> = 1/2" NPT threads <b>2</b> = 3/4" NPT threads <b>3</b> = M20 X 1.5 threads	<b>CF1</b> = Compound switch, fixed differential without scale	<b>CL2</b> = (-150 to 150) <b>CL3</b> = (-250 to 250)	<b>A1</b> = General purpose microswitch rated at 15 A; 250 VAC <b>A2</b> = Hermetically sealed for corrosive environments <b>A3</b> = gold plated contacts for low voltage applications <b>A4</b> = DPDT configuration <b>A5</b> = for high DC ratings <b>A6</b> = elements with adjustable deadband <b>A7</b> = 2SPDT switching elements <b>A9</b> = General purpose microswitch rated at 5 A; 250 VAC  * Some microswitches may not be available for particular ranges. Please check with sales office. Please refer page no. 230 for more microswitch options	<b>S1</b> = SS316 / 1/4" BSP(F) <b>S2</b> = SS316 / 1/4" NPT(F)  Please refer page no. 226 & 227 for more pressure port options	Diaphragm  <b>0</b> = Neoprene <b>1</b> = Teflon
<input type="checkbox"/>	MD	1	CF1	CL2	A1	S1	0

eg. A flameproof switch for gas group IIC, with 1/2" NPT cable entry in aluminium housing as 1SPDT pressure switch, having -150 to 150 mm wc pressure range, with 15Amp. microswitch, SS316 pressure housing with 1/4" BSP port size & neoprene diaphragm shall be specified by

Please specify full model number to avoid ambiguity. If only the first two groups are specified while ordering, uncalibrated switches with standard wetted parts and enclosures will be supplied.

Continuous efforts for product development may necessitate changes in these details without notice

Authorised Dealer

	<h2>NK Instruments Pvt. Ltd.</h2> <p>B-501/504, 5th floor, Raunak Arcade, Near THC Hospital, Gokhale Road, Naupada, Thane(W) 400602. Maharashtra INDIA            E-Mail: sales@nkstruments.com            Skype: nitinkelkarskype</p>	
	<p>Telefax Nos.: 91-22-25301330 / 31 / 32            Web: http://www.nkstruments.com            Gtalk: nkstruments2006</p>	