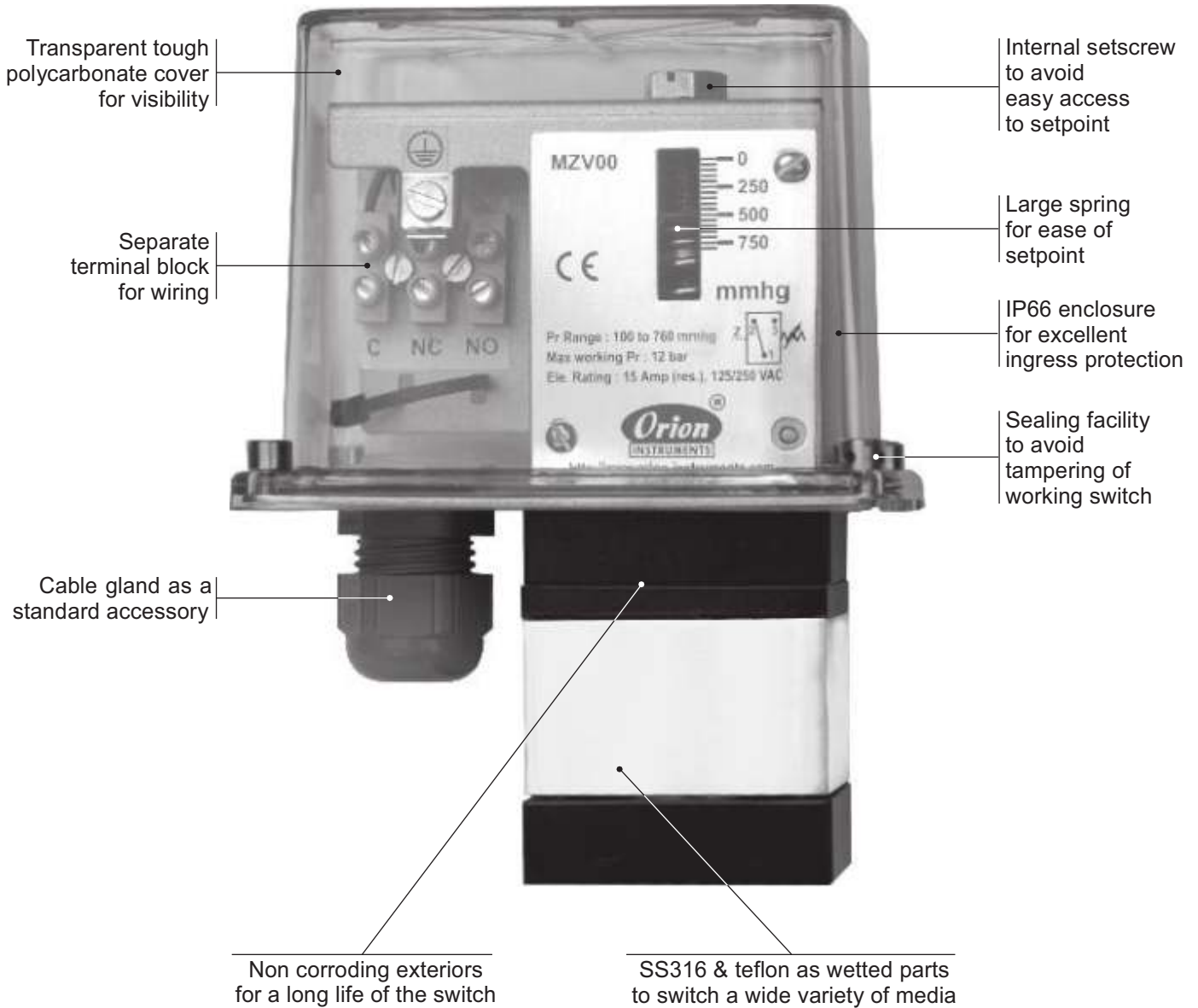


MZ VACUUM SWITCHES

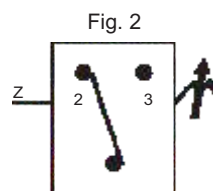


Approximate Weight : 1.160 Kg.

Some Applications :

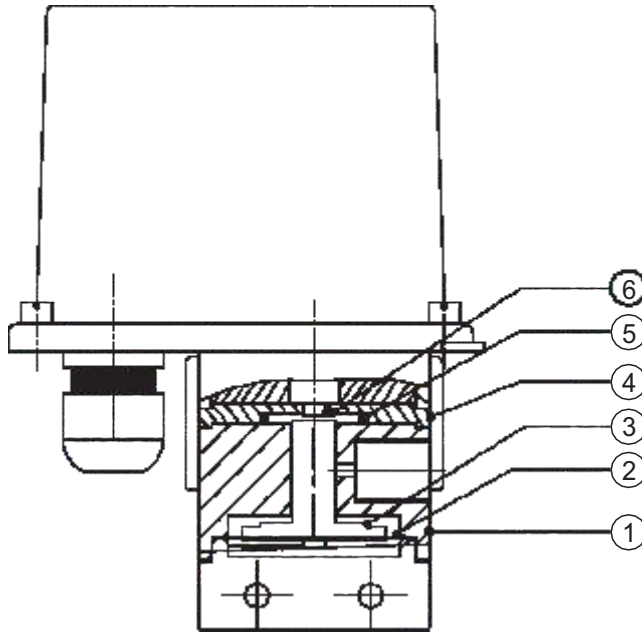
Used in filters, vacuum pumps, blower systems, etc.

Electrical Connection :





PRESSURE CAPSULE DETAILS

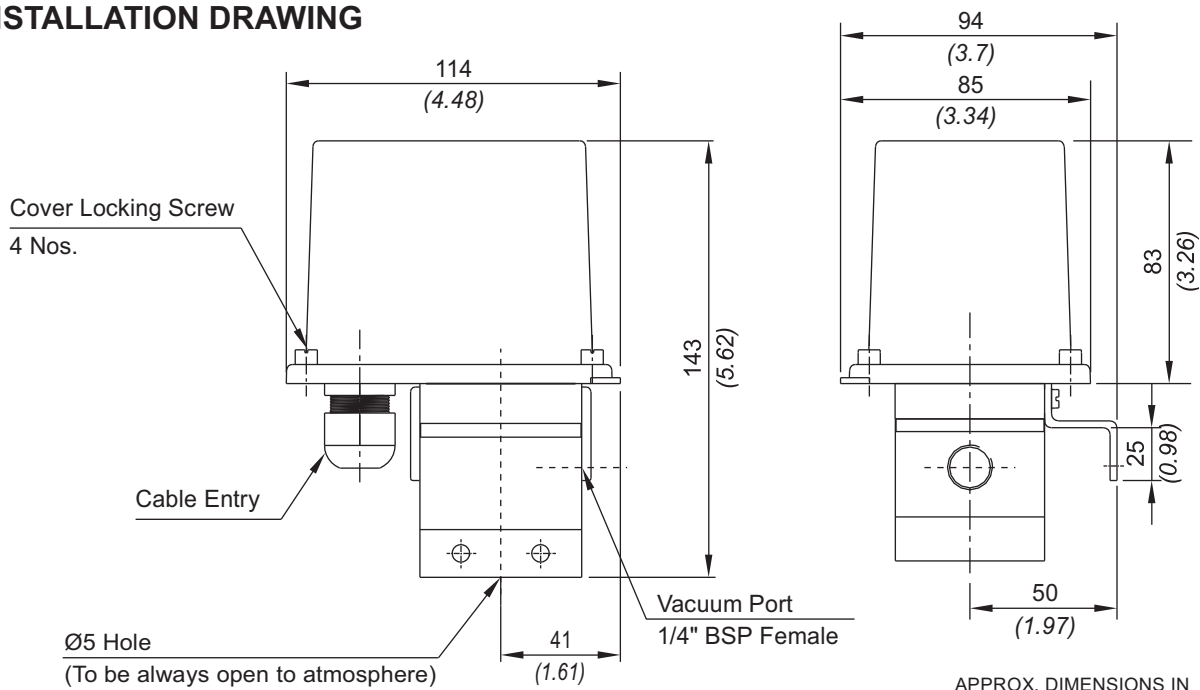


No. Description

1. Disc
2. Diaphragm
3. Plunger (SS316)
4. Junction Plate
5. Sealing 'O' Ring (Teflon®)
6. Sealing diaphragms (Teflon®)

Note : *wetted parts* are mentioned in italics.

INSTALLATION DRAWING



APPROX. DIMENSIONS IN $\frac{\text{mm}}{\text{inches}}$

MZ VACUUM SWITCHES

RANGE SELECTION TABLE

Range Code	Range mm Hg ("Hg)	Differential* mm Hg ("Hg)	Maximum Working Pressure bar (psi)
		Approximate Maximum for "A8" microswitch	
V00	† 760 - 100 (29.92 - 3.94)	50 (1.97)	12 (174.05)

*Minimum differential increases with setpoint (Graphs available on request)

† Typical values achieved at sea level, total vacuum that can be achieved varies mainly with altitude.

Authorised Dealer



NK Instruments Pvt. Ltd.

B-501/504, 5th floor, Raunak Arcade, Near THC Hospital, Gokhale Road, Naupada,
Thane(W) 400602. Maharashtra INDIA Telefax Nos.: 91-22-25301330 / 31 / 32
E-Mail: sales@nkinstruments.com Web: <http://www.nkinstruments.com>
Skype: nitinkelkarskype Gtalk: nkinstruments2006



Group 1	Group 2	Group 3	Group 4	Group 5	Group 6	Group 7	Group 8
Non standard allocation	Model	Cable Entry Size	Switch Type	Range Code (values in mmHg)	Microswitch Type	Pressure Port Material / Size	Diaphragm
<input type="checkbox"/> Reserved for non-standard options not covered in catalogue. Will be given by manufacturer, only after agreement of supply details with customer.	MZ = Process pressure switch with tough transparent polycarbonate enclosure to IP66 as per IS2147	3 = M20 X 1.5 cable gland	VF2 = vacuum switch, fixed differential with scale in mmHg VF3 = vacuum switch, fixed differential with scale in "Hg *VA2 = vacuum switch, adjustable differential with scale in mmHg *VA3 = vacuum switch, adjustable differential with scale in "Hg <small>*Available only with option A9 in Group 6</small>	V00 = († 760 - 100)	A8 = General purpose microswitch rated at 5 A; 250 VAC A7 = 2SPDT microswitches A9 = General purpose microswitch rated @ 5A, 250 VAC	A1 = Aluminium / ¼" BSP(F) A2 = Aluminium / ¼" NPT(F) S1 = SS316 / ¼" BSP(F) S2 = SS316 / ¼" NPT(F)	0 = Neoprene 1 = Teflon
eg. A process vacuum switch with fixed differential having 760 mmHg vac to 100 mmHg vac vacuum range, with 5 Amp. microswitch, SS316 pressure housing with ¼" BSP port size & neoprene diaphragm shall be specified by							
<input type="checkbox"/>	MZ	3	VF2	V00	A8	S1	0

Please specify full model number to avoid ambiguity.

Continuous efforts for product development may necessitate changes in these details without notice

Authorised Dealer



NK Instruments Pvt. Ltd.

B-501/504, 5th floor, Raunak Arcade, Near THC Hospital, Gokhale Road, Naupada, Thane(W) 400602. Maharashtra INDIA
E-Mail: sales@nkinstruments.com
Skype: nitinkelarskype

Telefax Nos.: 91-22-25301330 / 31 / 32
Web: http://www.nkinstruments.com
Gtalk: nkinstruments2006

