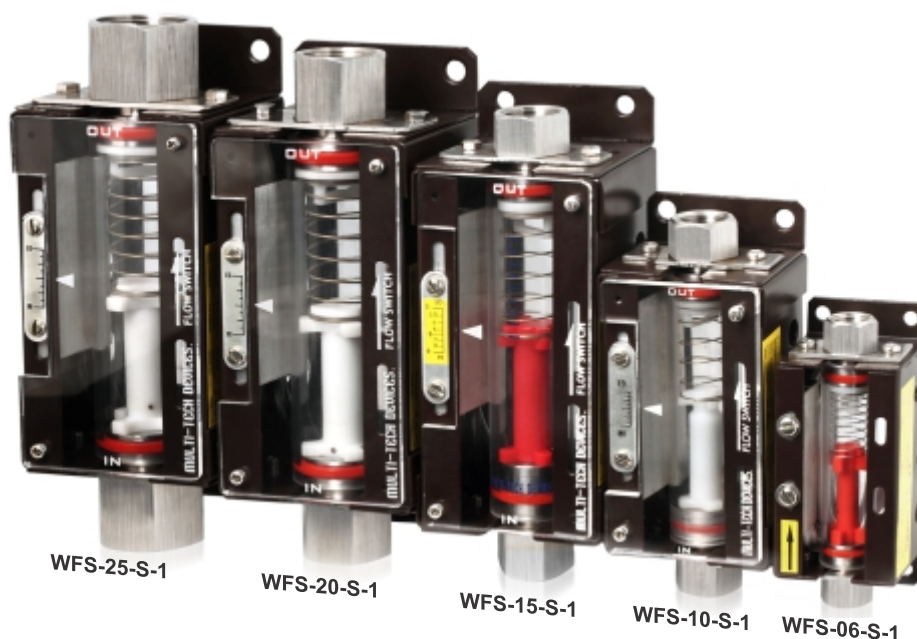


WFS Series - Indicating Type



Models: WFS-06/10/15/20/25.

Images used are for reference purpose only



General

NXG MTD make indicating type, magnetically actuated flow switches are designed for positive detection of fluid flow through your equipment. These are suitable for water, lubricating oils of low viscosity etc. These are available in 6 sizes, i.e. 1/4", 3/8", 1/2", 3/4" & 1" BSP. Suitable size may be selected from actual flow rate. Flow range covered is from 0.5 to 100 LPM. Fluid Flow in the System is seen through transparent tube.

Technical Specifications:

Max. System Pressure: 10 Kg/cm² (150 psi)
 Temperature Range: 80C to 100OC.
 Electrical: Hermetically sealed reed switch.
 Contact Rating: 1 Amp. 230 VAC/DC SPST 50VA or SPDT 60VA.
 For more options refer ordering information.

MOC of wetted parts

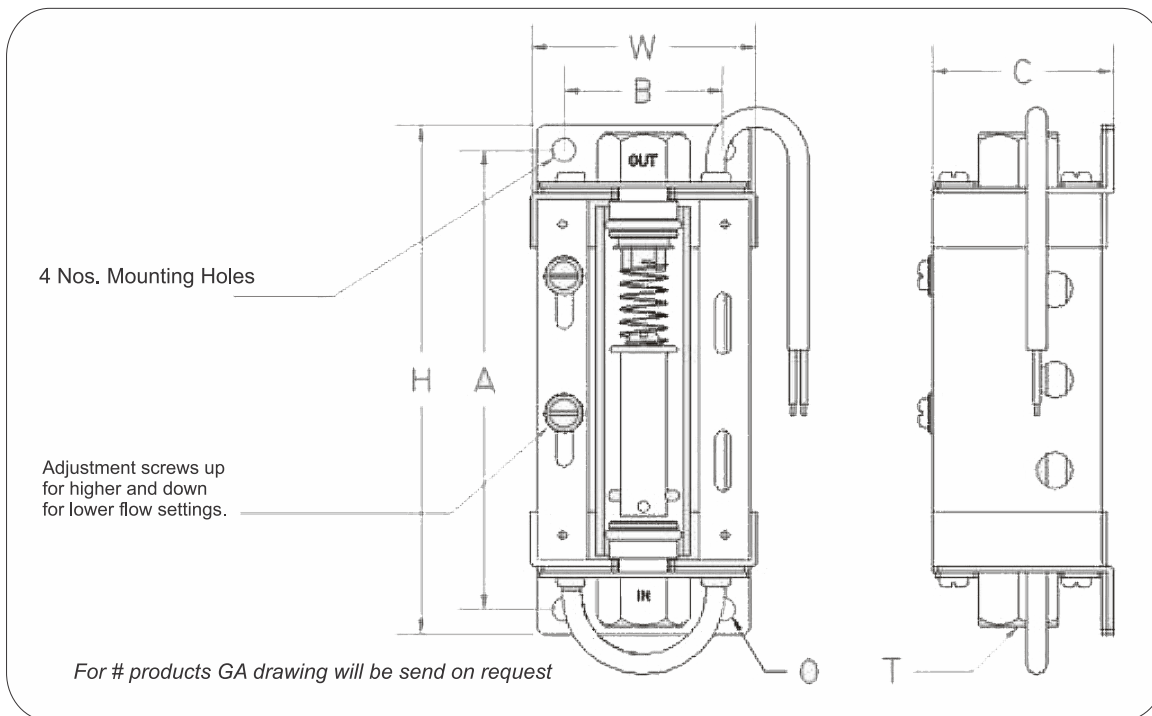
Couplings : SS304
 Spring : SS316L
 Float : DELRIN®
 Transparent tube: Polycarbonate

Wetted parts are those which come directly in contact with the process fluid

Range table

Model No.	T BSP	A	B	O	H	W	C	Standard flow Ranges Covered in LPM
WFS -06	1/4"	95	32	5.5	108	44	42.5	0.5 - 4
WFS -10	3/8"	127	44	6.5	141	62.5	48.6	1 - 6
WFS -15	1/2"	163	46	6.5	177	70	61.5	3-9, 7-14, 5-25
WFS -20	3/4"	171	56	6.5	189	76	69	10-30, 20-60, 30-90
WFS -25	1"	171	56	6.5	189	76	69	10-30, 20-60, 30-90

- Do not use excessive forces while fixing nozzles/ couplings. Use thread sealing for leak-tight joints. Do not hold switch in vice or wrench.
- Do not exceed electrical rating of the read switch. Use auxiliary relay or contactor for higher current rating and extra number of contacts.
- Do not exceed normal pressure rating of the switch for standard models. Consult manufacturer for higher system pressure.



Wiring



[Please take care of surge currents to avoid damage of Reed switch element. In such cases please apply R.C. Network (Resistor & Capacitor)]. For detailed electrical installation please refer I&M manual.

SPST wiring

SPDT wiring

Ordering information

BASIC MODEL	WFS	06	S	1
PROCESS CONNECTION				
1/4" BSPF - 06NB		06		
3/8" BSPF - 10NB		10		
1/2" BSPF - 15NB		15		
3/4" BSPF - 20NB		20		
1" BSPF - 25NB		25		
MOC OF COUPLING			S	
SS304				
ELECTRICAL RATING				
1A 230 VAC/ DC SPST REED SWITCH				1
1A 230 VAC/ DC SPDT REED SWITCH [#]				2
2 X 1A 230 VAC/ DC SPDT REED SWITCH [#]				3
2 X 1A 230 VAC/ DC SPDT REED SWITCH [#]				4
ELECTRICAL CONNECTION				
Wire 500 mm long PVC wire				-
DIN 43650 Connector [#]				C1
2 X DIN 43650 Connector [#]				C2

These to products are made to order, deliver time and costing will differ. Please consult local dealer.

Authorised Dealer



NK Instruments Pvt. Ltd.

B-501/504, 5th floor, Raunak Arcade, Near THC Hospital, Gokhale Road, Naupada, Thane(W) 400602. Maharashtra INDIA
 E-Mail: sales@nkstruments.com
 Skype: nitinkelkarskype
 Telefax Nos.: 91-22-25301330 / 31 / 32
 Web: http://www.nkstruments.com
 Gtalk: nkstruments2006

