



FS Series - Miniature Series

MODEL : FS 4X/5/6 SCAD

Images used are for reference purpose only



Key features

- Hermetically sealed electrical contacts • Better accuracy over the range
- Precisely adjustable flow setting • Low maintenance

Applications

- Industrial monitoring application • Oil Monitoring in Lubrication and hydraulic systems. • Flow switching in High Pressure Systems • Flow Switching in Cooling Plants • Coolant Monitoring in Machine Tools • High Pressure Flow Rate monitoring.

General

NXG MTD make compact type, magnetically actuated Piston type flow switches are designed for positive detection of fluid flow through your equipment. FS series models provides adjustability over wide range. These are suitable for water, kerosene, Very low viscosity lubricating oils etc.

FLOW SWITCH

Technical specifications

Scale Tolerance	±3% of full scale
Max. System Pressure	200 Kg/cm ²
Temperature Range	8° to 100°C
Sensor Specifications	Hermetically sealed reed switch,
Contact Rating*	1A 230VAC 50 VA , SPDT 1NO+1NC
Hysteresis	Depending on Switch value.
Available Port Sizes	½", ¾", 1" BSP/NPT Female

MOC of wetted parts

Housing	: SS316L
Spring	: SS316L
Float	: SS316L
Fittings	: SS316L

Wetted parts are those which come directly in contact with the process fluid

FLOW RATE INDICATOR

Technical specifications

Metering Accuracy	±3% of full scale
Repeatability	±1% of full scale
Max. System Pressure	200 Kg/cm ²
Max. Pressure Drop	0.25Kg/cm ²
Temperature Range	8° to 100°C
Hysteresis	Depending on Switch value.
Available Port Sizes	½", ¾", 1" BSP Female

MOC of wetted parts

Housing	: SS316L
Spring	: SS316L
Float	: SS316L
Fittings	: SS316L

Wetted parts are those which come directly in contact with the process fluid

Note: Fluid should be very clean. Suspended particles may clog the flow switch which consequently affects the flow switch performance. Please take care of surge currents to avoid damage of Reed switch element. In such cases please apply R.C. (Resistor & Capacitor) network.

FLOW RATE INDICATOR WITH SWITCH

Technical specifications

Set point Accuracy	±3% of full scale
Metering Accuracy	±3% of full scale
Repeatability	±1% of full scale
Max. System Pressure	200 Kg/cm ²
Max. Pressure Drop	0.25Kg/cm ²
Temperature Range	8° to 100°C
Sensor Specifications	Hermetically sealed reed switch,
Contact Rating*	1A 230VAC 50 VA , SPDT 1NO+1NC
Hysteresis	Depending on Switch value.
Available Port Sizes	½", ¾", 1" BSP/NPT Female

MOC of wetted parts

Housing	: SS316L
Spring	: SS316L
Float	: SS316L
Fittings	: SS316L

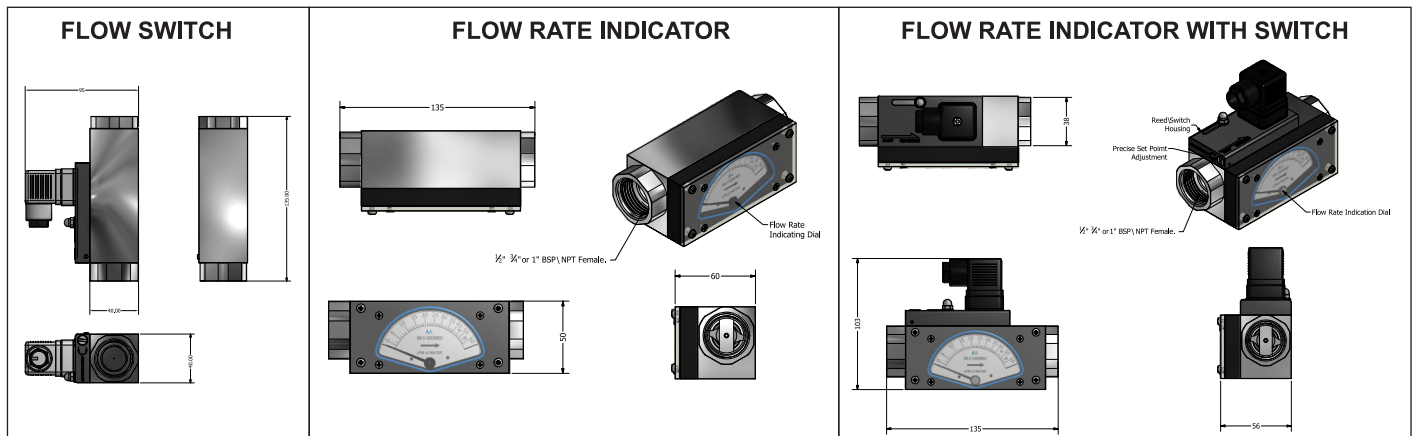
Wetted parts are those which come directly in contact with the process fluid

Note: Fluid should be very clean. Suspended particles may clog the flow switch which consequently affects the flow switch performance. Please take care of surge currents to avoid damage of Reed switch element. In such cases please apply R.C. (Resistor & Capacitor) network.

Range table

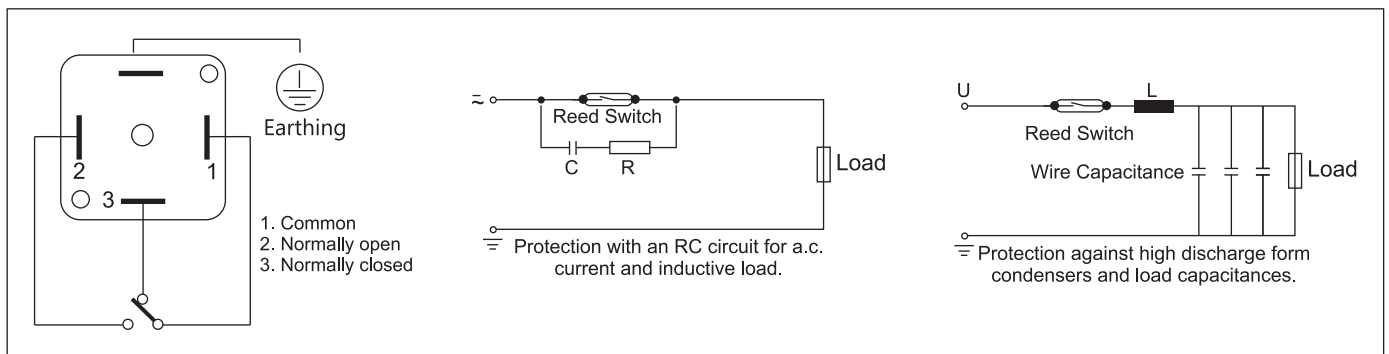
Line Size	Model No.	Recommended Max. Flow LPM of H ₂ O	Adjustable Range		W Max. mm	H Max. mm	L Max. mm	Weight Max. kg
			LPM of H ₂ O					
1/2" - 12mm	FS-4XSCAD	60	3 - 30		40	96	130	1.3
3/4" - 20mm	FS-5SCAD	100	3 - 30	6 - 60	40	96	130	1.25
1" - 25mm	FS-6SCAD	150	3 - 30	6 - 60	40	96	130	1.2

GA drawing



For # products GA drawing will be send on request

Electrical Connection



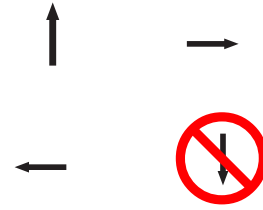
- Do not use excessive forces while fixing nozzles/ couplings. Use thread sealing for leak-tight joints. Do not hold switch in vice or wrench.
- Do not exceed electrical rating of the read switch. Use auxiliary relay or contactor for higher current rating and extra number of contacts.
- Do not exceed normal pressure rating of the switch for standard models. Consult manufacturer for higher system pressure.

Important for your order

For placing order please fulfill following requirements.

- System Pressure
- Desired Flow Range.
- Fluid Temperature.
- Fluid Characteristics (Physical & chemical properties)
- In case of lub-oils, viscosity must be indicated.
- Mounting position

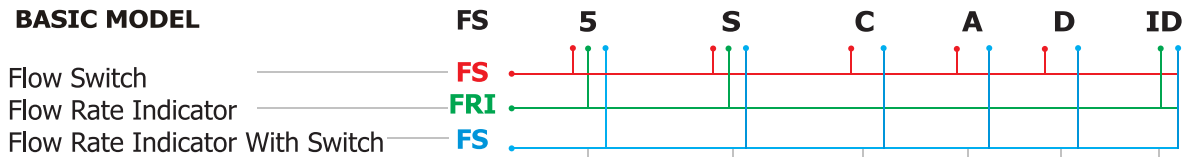
Mounting instructions



Note: Flow Switch value may differ according to the type of installations.
 [Please take care of surge currents to avoid damage of Reed switch element. In such cases please apply R.C. Network (Resistor & Capacitor)].
 For detailed electrical installation please refer I&M manual.

Ordering information

BASIC MODEL



PROCESS CONNECTION

1/2" BSPF - 15NB	4X
3/4" BSPF - 20NB	5
1" BSPF - 25NB	6
1/2" NPTF - 15NB	4XN
3/4" NPTF - 20NB	5N
1" NPTF - 25NB	6N

MOC OF COUPLING

SS3161 _____ **S**

ELECTRICAL CONNECTOR

Micro DIN 43650 connector _____ **C**
 Male M12 connector (24 VDC)[#] _____ **M**

SET POINT: ADJUSTABLE

_____ **A**

ELECTRICAL RATING

1 A 230 VAC/DC SPDT reed switch(50 VA) _____ **D**
 2 X 1 A 230 VAC/DC SPDT reed switch(50 VA)[#] _____ **D2**

FLOW INDICATING DIAL

3- 30 LPM - Water	_____	ID1
6- 60 LPM - Water	_____	ID2
3- 30 LPM - Oil	_____	ID3
6- 60 LPM - Oil	_____	ID4
Custom flow rate	_____	IDC

Authorised Dealer

	<h1>NK Instruments Pvt. Ltd.</h1>		
	B-501/504, 5th floor, Raunak Arcade, Near THC Hospital, Gokhale Road, Naupada, Thane(W) 400602. Maharashtra INDIA		
	E-Mail: sales@nkinstruments.com	Telefax Nos.: 91-22-25301330 / 31 / 32	
	Skype: nitinkelkarskype	Web: http://www.nkinstruments.com	
	Gtalk: nkinstruments2006		

[#] These to products are made to order, deliver time and costing will differ. Please consult local dealer.