



FSPT Series

MODEL : FSPT- 15/25-SR2

KEY FEATURES

- Hermetically sealed electrical contacts.
- Better accuracy over the range.
- Precisely adjustable flow setting.
- Low maintenance
- Viscosity Compensated Design
- Low Set point is possible
- Low Pressure Drop Design
- Can work from -20 to 100 °C

APPLICATIONS

- Can be used in Water, glycol, oil & gas, air
- Coolant Monitoring
- Pump Seals protection
- Chilled Water
- Compressed Air
- Spot Welding Machines
- Induction Heating equipments
- Water Treatment Plants
- Pump Dry run Protection
- Power Plants
- Steel Plants
- Set point adjustment, including special set points
- OEM design, can be modified as per customer requirement
- Air Blower Coolant Monitoring



Images used are for reference purpose only

TECHNICAL SPECIFICATIONS

Max. System Pressure	:60bar(Standard Version) high pressure version can be provided on demand.
Temperature Range	:10 - 100°C
Pressure Drop	:<150 mbar at Qmax. (For Qmax. refer flow range table)
Accessories	:Refer ordering information.
Material of Construction	:SS 304
Enclosure	:Aluminum Weather Proof to IP65
Set Point Tolerance	:± 3~5%
Repeatability Tolerance	:± 1%
Contact Rating	:1A 230VAC/DC SPDT Reed Switch
Cable Entry	:DIN 43650 conn. with PG 9 cable entry

RANGE TABLE

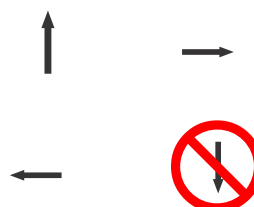
Line Size	Instrument Connection	Wetted Parts	Min. Setting LPM H ₂ O		Max. Setting LPM		Max. Flow LPM	Max. Pressure		Max. Temp. °C (°F)
			ON	OFF	ON	OFF		kg/cm ²	psi	
1/2" (15 NB)	1/2" BSPT/NPT Male	SS 304	6	5	11	10	40	50	711	100 (212)
3/4" (20 NB)	1/2" BSPT/NPT Male	SS 304	11	10	22	20	60	50	711	100 (212)
1" (25 NB)	1" BSPT/NPT Male	SS 304	9	5	38	36	100	50	711	100 (212)
1.25" (32 NB)	1" BSPT/NPT Male	SS 304	10	4	38	35	150	50	711	100 (212)
1.5" (40 NB)	1" BSPT/NPT Male	SS 304	17	10	63	61	200	50	711	100 (212)
2" (50 NB)	1" BSPT/NPT Male	SS 304	19	12	88	86	260	50	711	100 (212)
2.5" (65 NB)	1" BSPT/NPT Male	SS 304	20	10	137	121	400	50	711	100 (212)
3" (80 NB)	1" BSPT/NPT Male	SS 304	28	25	140	125	600	50	711	100 (212)

MOC OF WETTED PARTS

Housing	: SS304
Spring	: SS304
Lever	: SS304
Paddle	: SS304
Screws	: SS304
Pivot	: SS304

Wetted parts are those which come directly in contact with the process fluid

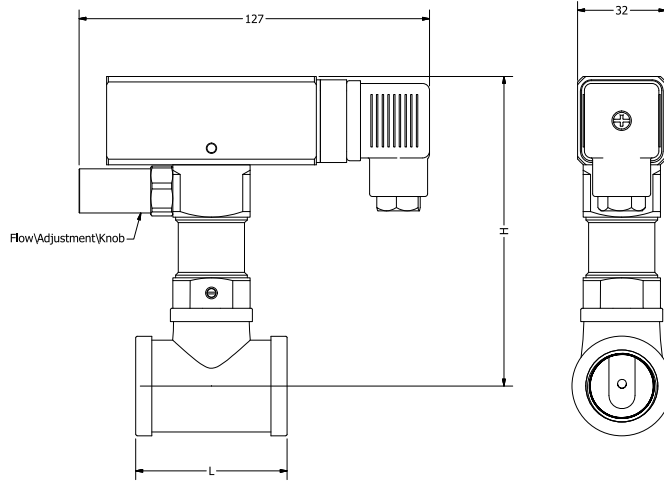
MOUNTING INSTRUCTIONS



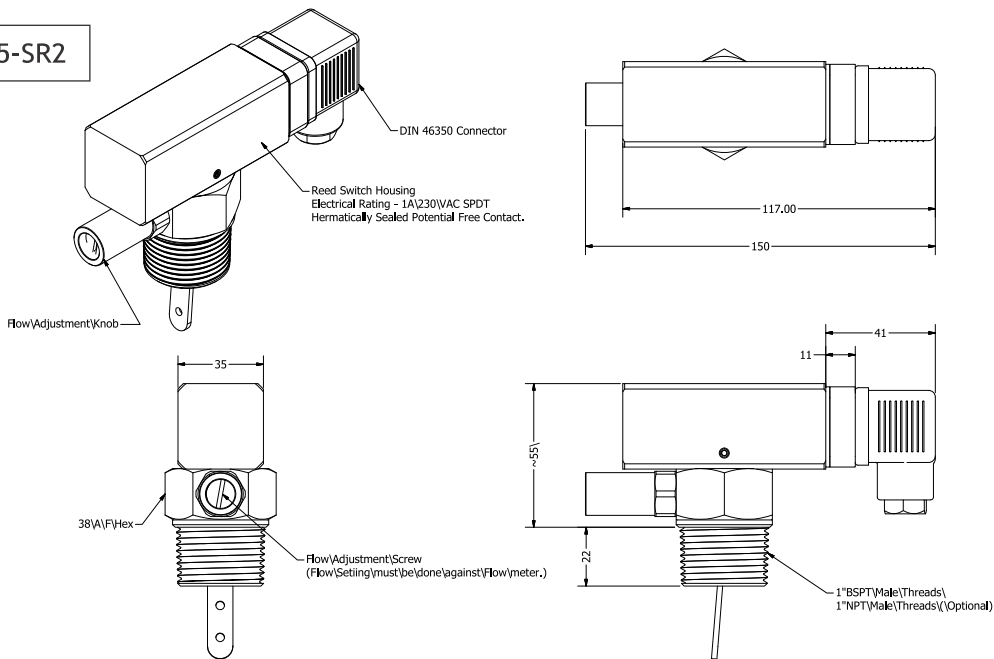
Note: Flow Switch value may differ according to the type of installations.
 [Please take care of surge currents to avoid damage of Reed switch element. In such cases please apply R.C. Network (Resistor & Capacitor)].
 For detailed electrical installation please refer I&M manual.



FSPT- 15-SR2



FSPT- 25-SR2



IMPORTANT FOR YOUR ORDER

- For placing order please fulfill following requirements •System Pressure •Desired Flow Range. •Fluid Temperature
- Fluid Characteristics (Physical & chemical properties) •In case of lub-oils, viscosity must be indicated.

ORDERING INFORMATION

BASIC MODEL	FSPT	25	S	R2
INSTRUMENT CONNECTION				
1/2" BSP Male		15		
1" BSPT Male		25		
MOC OF COUPLING				
SS304			S	
ELECTRICAL RATING				
1A 230 VAC/DC SPDT Reed Switch 50 VA				R2

Authorised Dealer



NK Instruments Pvt. Ltd.

B-501/504, 5th floor, Raunak Arcade, Near THC Hospital, Gokhale Road, Naupada, Thane(W) 400602. Maharashtra INDIA
 E-Mail: sales@nkinstruments.com
 Skype: nitinkelkarskype

Telefax Nos.: 91-22-25301330 / 31 / 32
 Web: http://www.nkinstruments.com
 Gtalk: nkinstruments2006

