



HEXAFLOW

MODEL : MFS-25

Key features

- Hermetically sealed contacts offer safer switching.
- Weatherproof Design
- Stainless steel (Ss304) Construction offer long service life.
- Fast response time.
- Compact yet very sturdy
- Higher Pressure Rating

Applications

- Fire Fighting Systems
- Home Automation
- Welding Machines
- Chilling Plants
- Water Treatment Systems

General Description

HEXAFLOW is a compact paddle flow switch based on Magnetically actuated reed Switch. The principle of operation of this flow switch is very simple. When the flow switch is installed in the pipeline, when the flow of liquid starts and exceeds the set value of flow switch the paddle deflects and actuates the reed switch contact.

Technical specifications

Model Number/ Order Code	MFS-25
Brand Name	HEXAFLOW [®]
Suitable Fluid Medium	Water, Oil, Air, brine solution bio gas
Set point accuracy	3~5% of High Flow
Operating Pressure	Up to 100 Kg/cm ²
Design Pressure	150 Kg/cm ²
Operating Temperature	-10 to 80 Deg.C
Process Connection	1" BSPT Male
Material of Construction	Stainless Steel SS304.
Electrical Rating	1A 110 VAC/DC SPDT Reed Switch (potential Free Contact).
Cable Entry	DIN 43650C Micro -PG-9.
Protection Class	Weatherproof to IP65.
Weight in grams	400 gms.

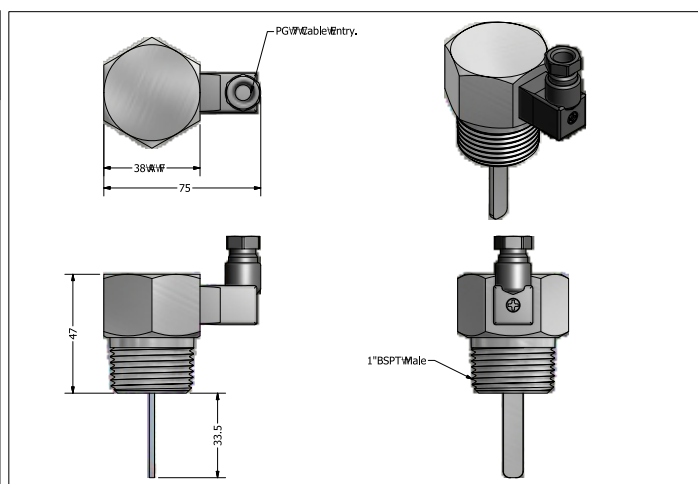


Images used are for reference purpose only

Range Table

Line Size in inch	Paddle Number	Min. Flow LPM For H ₂ O		Max. Flow LPM For H ₂ O
		ON	OFF	
1 (25)	A	15	12	100
1.25 (32)		25	22	150
1.5 (40)		30	26	200
2 (50)	B	35	31	260
2.5 (65)		60	55	400
3 (80)	C	70	65	600
4 (100)		130	125	1000
5 (125)		225	240	2082
6 (150)		350	344	2500

GA Drawing





UNPACKING

Unpack the instrument carefully. Inspect all units for damage. Report any concealed damage to the carrier within 24 hours. Check the contents of the packing slip and purchase order and report any discrepancies to the factory. Check and record the serial number for future reference when ordering parts.

⚠ WARNING

- Ensure all AIR and Power supplies are ISOLATED before commencing Installation.
- Do not use these switches in explosive atmospheres. Avoid installations where water can enter the switch housing.

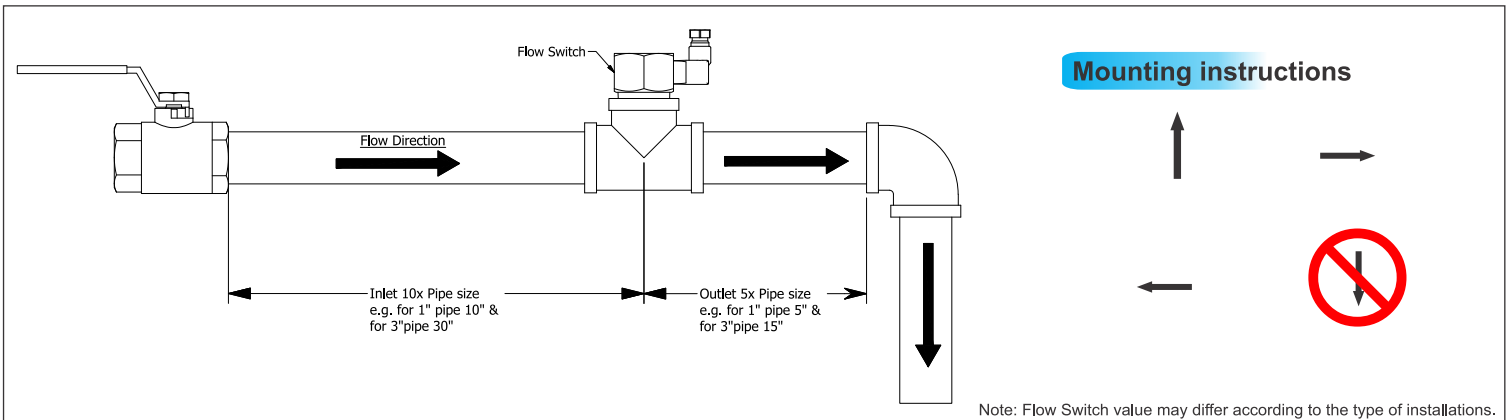
⚠ CAUTION

- Mount the switch ensuring that the flow direction coincides with the flow direction arrow on the switch body.
- The switch can be mounted in any direction.
- Ensure that a straight run of pipe, at least 5 times the pipe OD, is provided either side of the switch body

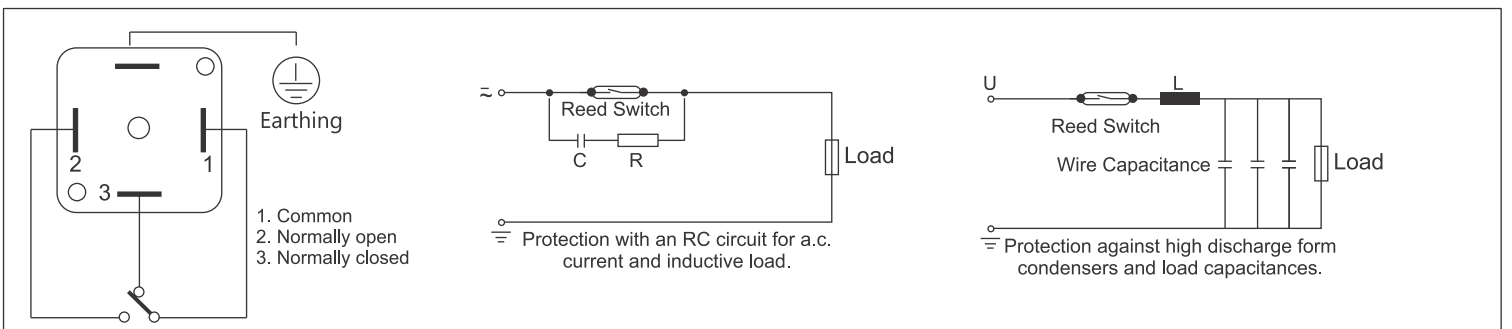
Piping

HEXAFLOW is screwed directly into piping using the 1" BSPT on its base. There are some important things to observe:

1. The paddle length must be appropriate for the diameter of the pipe to which the Flow switch is connected. Ensure also that the Flow switch is not screwed too deeply into its fitting, as this may cause the paddle to contact the bottom of the pipe. The paddle must be completely free to swing.
2. To ensure the stability, the shorter paddles should always be left on.
3. The Flow Switch must be installed so that the arrow on its housing is aligned with the direction of flow in the pipe. Connect to the internal Reed Switch by removing the Connector socket (refer image below), connect according to the Wiring diagram given in this manual. Though the HEXAFLOW may be installed in any orientation, we recommend that you do not install flow switch in downward flow direction. Straight runs of pipe are needed before and after the HEXAFLOW installation point. These should be at least 10 times pipe dia at the inlet and 5 times pipe dia at the outlet. For example. For 2" pipe flow switch straight length before the flow switch will be 20" and after the flow switch will be 10" .



Electrical Connection



Authorised Dealer



NK Instruments Pvt. Ltd.

B-501/504, 5th floor, Raunak Arcade, Near THC Hospital, Gokhale Road, Naupada, Thane(W) 400602. Maharashtra INDIA
 E-Mail: sales@nkinstruments.com
 Skype: nitinkelkarskype

Telefax Nos.: 91-22-25301330 / 31 / 32
 Web: <http://www.nkinstruments.com>
 Gtalk: nkinstruments2006

