



WHEEL FLOW INDICATOR

Images used are for reference purpose only



What are Sight Flow Indicators?

Sight Flow Indicator is a device installed in a pipe line to provide means of verifying the fluid flow. The direct indication of flow is useful to detect any flows in the pipe line or system. The measure advantage over electronic devices is that it is difficult to distinguish flow problems or malfunction in the device.

NXG MTD make Wheel Flow Indicators and Pelton Wheel Indicators are very useful to determine approximate flow rates by observing the speed of the rotation of wheel.

Key features

- Greater visibility.
- Easy for maintenance.
- Low Pressure Loss.

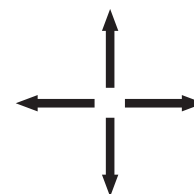
Applications

Distillation Plants, Coolant Flow monitors in CNC Machines, Water Flow Indication in Spot Welding Gun, Mechanical Seal coolant Indication, Injection Moulding Machines, Power Plants, Steel Plants, Rubber Moulding machines, Domestic water Flow Indication, Hot Water Flow Indication for geyser

Technical details

Process Connection	-	1" BSP / 1" NPT female
Maximum Flow	-	120 LPM
Min flow for rotation	-	5 LPM Water
Material of construction		
Body Material	-	SS304 / SS316
Sight Glass material	-	Polycarbonate 143R/ Toughened glass
O'ring Seals	-	Silicon / Viton
Rotor	-	Delrin
Shaft	-	SS316
Max operating Temp.	-	100 Deg C
Max operating Pressure	-	20 Kg/cm2

Mounting instructions



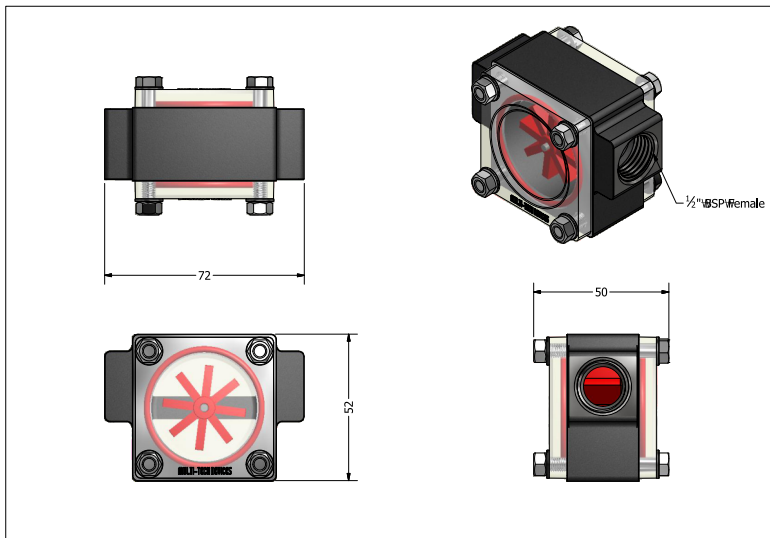
Flow Direction

Note: Sight Flow can be installed in any orientation

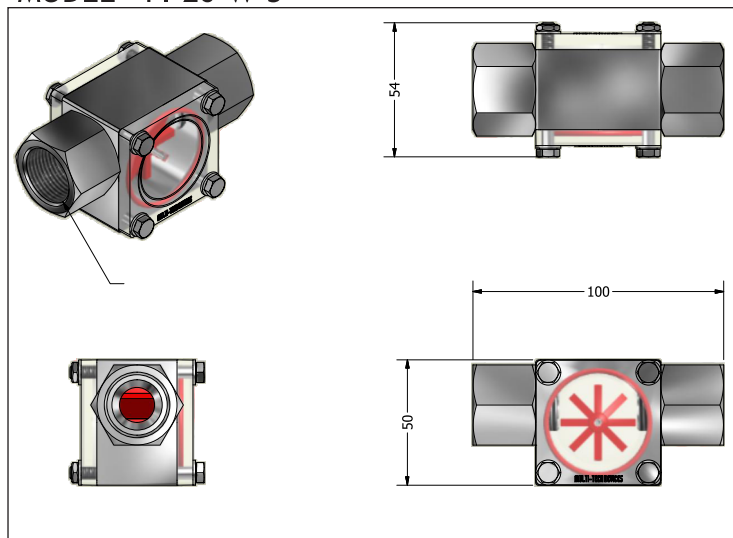


GA Drawing

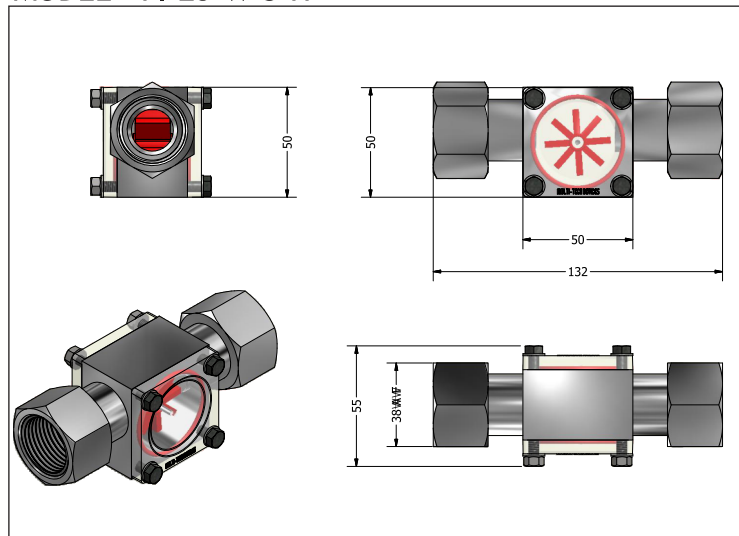
MODEL - FI-15-W-S



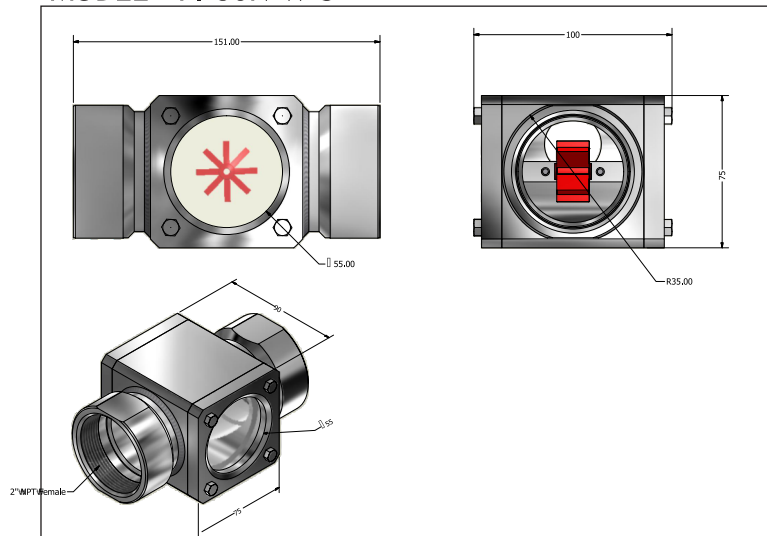
MODEL - FI-20-W-S



MODEL - FI-25-W-S-H



MODEL - FI-50N-W-S





Important for your order

For placing order please fulfill following requirements.

- System Pressure
- Minimum & Maximum Flow rates
- Fluid Temperature.
- Fluid Characteristics (Physical & chemical properties)
- In case of lub-oils, viscosity must be indicated.

Ordering information

BASIC MODEL	FI	25	W	S
Polycarbonate side cover	FI			
Toughened glass side cover	FIG			
PROCESS CONNECTION				
1/4" BSP/ NPT Female		06/06N		
3/8" BSP/ NPT Female		10/10N		
1/2" BSP/ NPT Female		15/15N		
3/4" BSP/ NPT Female		20/20N		
1" BSP/ NPT Female		25/25N		
1.25" BSP/ NPT Female		30/30N		
1.5" BSP/ NPT Female		40/40N		
2" BSP/ NPT Female		50/50N		
TECHNOLOGY				
Rotary Wheel			W	
MOC OF COUPLING				
SS304				S
SS316 [#]				S2

These to products are made to order, deliver time and costing will differ. Please consult local dealer.

Authorised Dealer



NK Instruments Pvt. Ltd.

B-501/504, 5th floor, Raunak Arcade, Near THC Hospital, Gokhale Road, Naupada,
 Thane(W) 400602. Maharashtra INDIA Telefax Nos.: 91-22-25301330 / 31 / 32
 E-Mail: sales@nkinstruments.com Web: <http://www.nkinstruments.com>
 Skype: nitinkelkarskype Gtalk: nkinstruments2006

