

COMBINATIONS

Gauge



Switch



Gauge + switch
(with a terminal strip inside)



Gauge + switch
(with a DIN plug on top)



MOUNTING BRACKETS

Gauge



Gauge + switch
(with a DIN plug)



200 DPG

**DP Range : 0 to 0.25 upto 70 bar
0 to 5 upto 1050 psi**

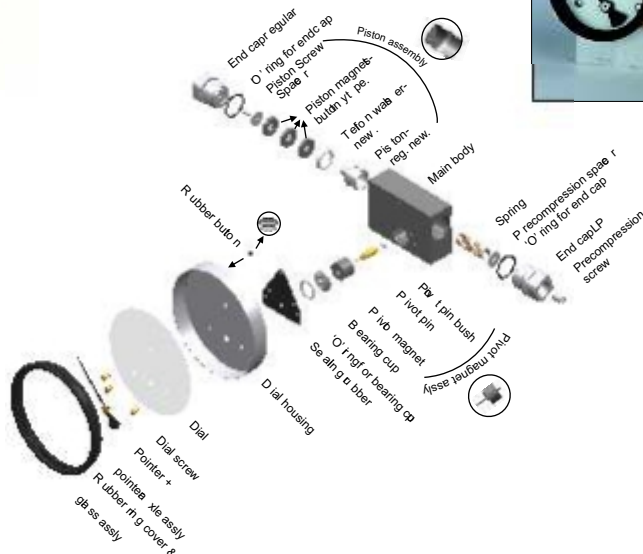
Specifications

Accuracy	±2% of the FSD (Ascending)
Migration	Minor from high to low port
Range	0-0.25 to 0-70 bar or equivalent range in other units
First marking on the scale	20% of the FSD
Sensing element	Piston
Wetted parts	Body material, SS 302 spring, ceramic magnet & seals
Case material	Stainless steel (SS 304)
Dial size in inch /mm	2", 2.5", 3.5", 4", 4.5", 6" / 50, 63, 80, 100, 115, 150 mm
Mounting	Direct, front flange, 2" pipe & surface mounting
Maximum working pressure	200 bar for Aluminium & Brass, 400 bar for SS & Monel
Maximum process temperature	80°C / 175°F
Body material	Aluminum, Brass, SS 316 & Monel
Seals	Buna-N, Viton & EPDM 'O' rings
Window	Float glass(Std.), toughened glass, acrylic & safety glass.
Connection	1/4" NPT(F) Std. Optional 1/4" BSP(F)
Porting	In-line, rear, bottom, in-line & bottom
Over range protection	Up to the max. working pressure from high & low side
Protection for gauge & switch	IP 65 / NEMA-4

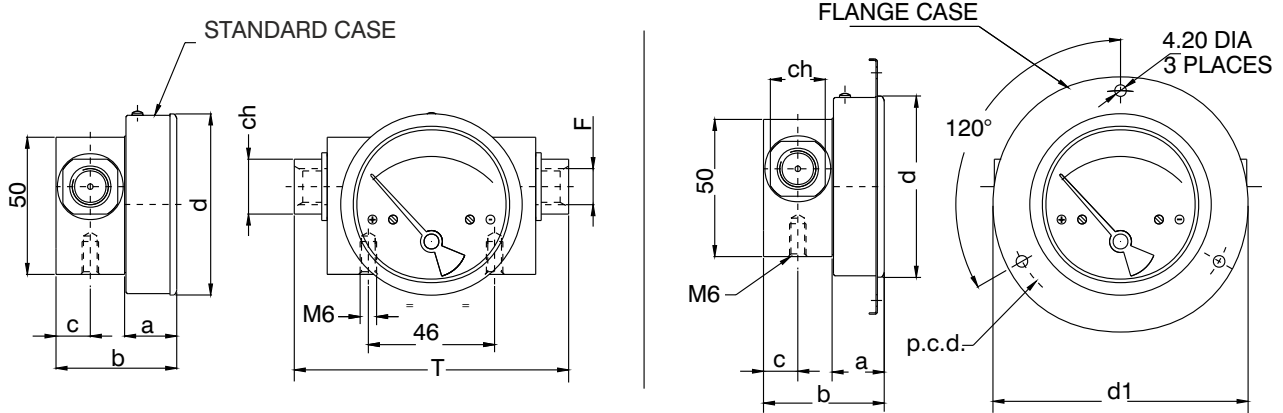
Options

Switches (Adjustable in 20-100% of FSD)

Liquid filling	1 or 2 SPSTs with a DIN plug
Red follower pointer (except 2" & 6")	1 or 2 SPSTs with a terminal strip
Customer logo	1 or 2 SPSTs with a built in relay
Dual scale	1 or 2 SPDTs with a DIN plug
Colour band	1 or 2 SPDTs with a terminal strip
Filter mesh in (+) connection	
Reverse port (pointer moves from right to left)	
Descending calibration	



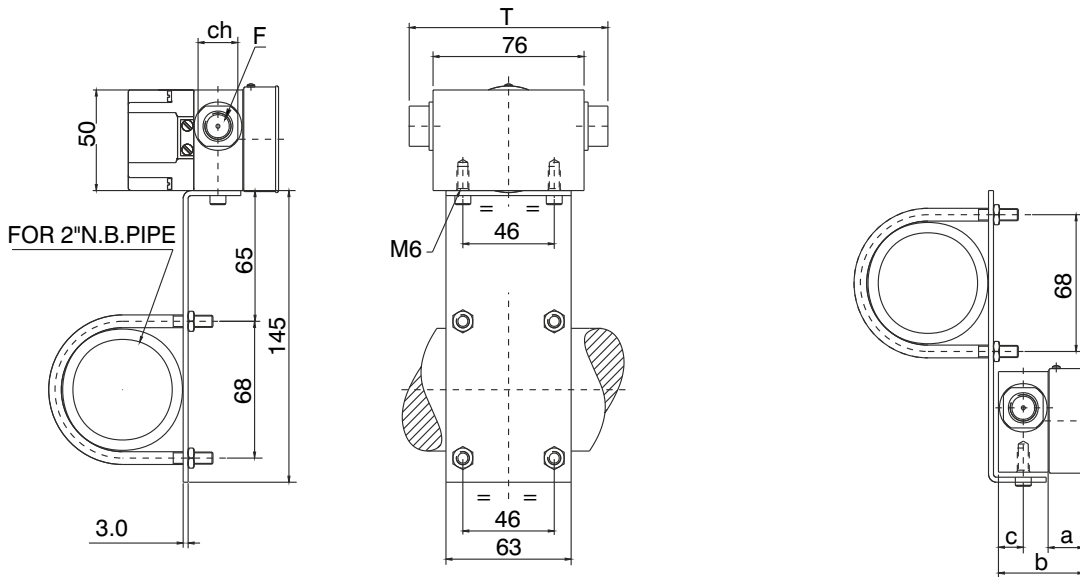
STANDARD DIMENSIONS (MODEL 200 DPG)



DIAL Ø	F	a	b	c	d	d1	T	ch	p.c.d.
50 (2")	1/4"BSP - 1/4"NPT	18	43	12.5	53	79	100	20	69
63 (2.5")	1/4"BSP - 1/4"NPT	19	44	12.5	66	93	100	20	83
80 (3.5")	1/4"BSP - 1/4"NPT	19	44	12.5	83	109	100	20	99
100 (4")	1/4"BSP - 1/4"NPT	19	44	12.5	104.3	131	100	20	121
115 (4.5")	1/4"BSP - 1/4"NPT	19	44	12.5	119.7	146	100	20	136
150 (6")	1/4"BSP - 1/4"NPT	19	44	12.5	154.3	181	100	20	171

* PANEL CUT OUT = d+ 1

MOUNTING BRACKETS (MODEL 200 DPG)



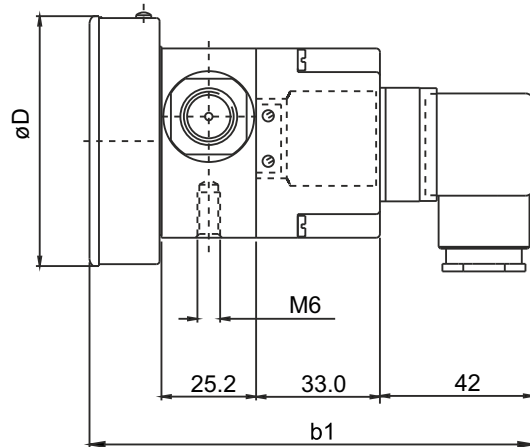
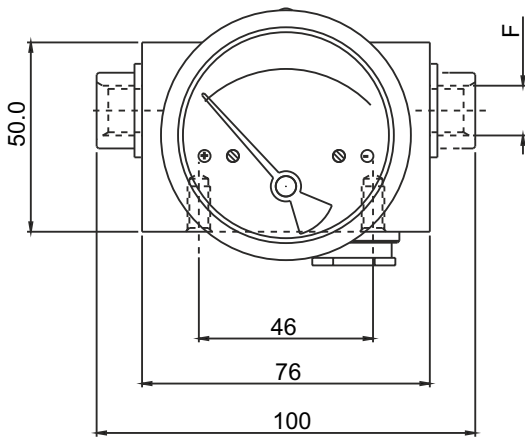
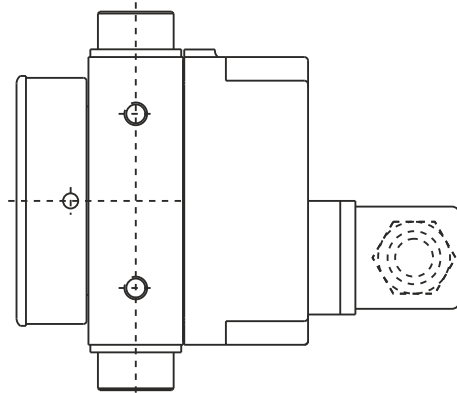
BRACKET MOUNTING FOR GAUGE+ SWITCH

BRACKET MOUNTING FOR GAUGE

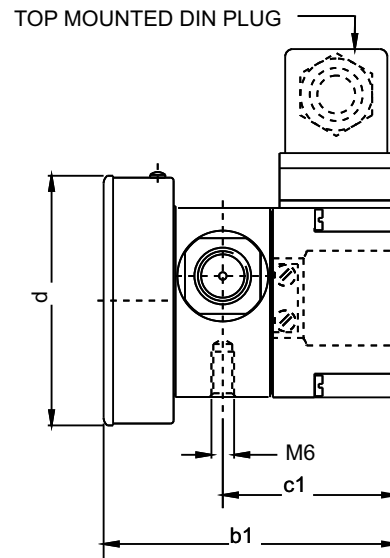
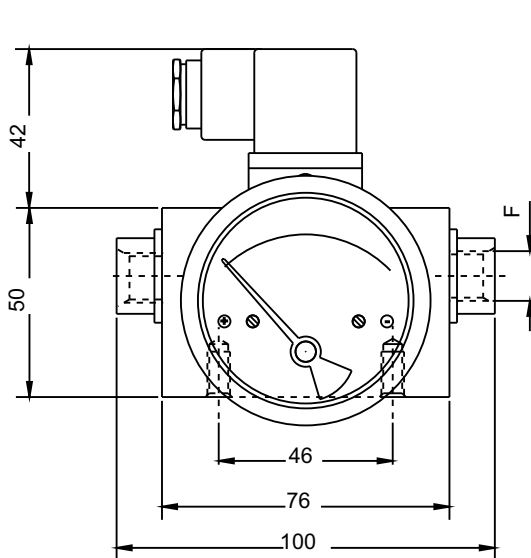
DIAL Ø	F	a	b	c	T	ch
50 (2")	1/4"BSP - 1/4"NPT	18	43	12.5	100	20
63 (2.5")	1/4"BSP - 1/4"NPT	19	44	12.5	100	20
80 (3.5")	1/4"BSP - 1/4"NPT	19	44	12.5	100	20
100 (4")	1/4"BSP - 1/4"NPT	19	44	12.5	100	20
115 (4.5")	1/4"BSP - 1/4"NPT	19	44	12.5	100	20
150 (6")	1/4"BSP - 1/4"NPT	19	44	12.5	100	20

GAUGE + SWITCH WITH REED CONTACTS WITH DIN PLUG AT BACK (MODEL 200 DPG)

DIAL \varnothing	F	d	b1
50 (2")	1/4"BSP - 1/4"NPT	53	102.5
63 (2.5")	1/4"BSP - 1/4"NPT	66	103.5
80 (3.5")	1/4"BSP - 1/4"NPT	83	103.5
100 (4")	1/4"BSP - 1/4"NPT	104.3	103.5
115 (4.5")	1/4"BSP - 1/4"NPT	119.7	103.5
150 (6")	1/4"BSP - 1/4"NPT	154.3	103.5



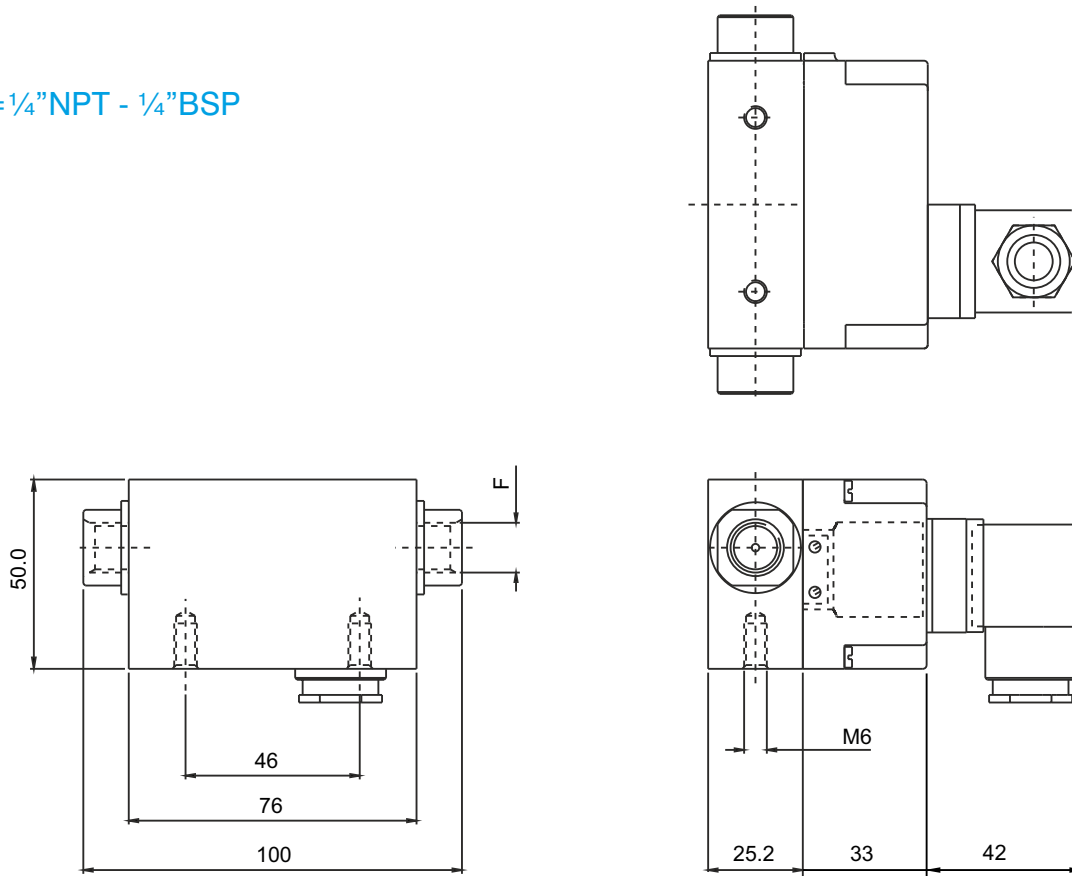
GAUGE + SWITCH WITH REED CONTACTS WITH DIN PLUG ON TOP (MODEL 200 DPG)



DIAL \varnothing	F	b1	c1	d
50 (2")	1/4"BSP - 1/4"NPT	78	47.5	53
63 (2.5")	1/4"BSP - 1/4"NPT	79	47.5	66
80 (3.5")	1/4"BSP - 1/4"NPT	79	47.5	83
100 (4")	1/4"BSP - 1/4"NPT	79	47.5	104.3
115 (4.5")	1/4"BSP - 1/4"NPT	79	47.5	119.7
150 (6")	1/4"BSP - 1/4"NPT	79	47.5	154.3

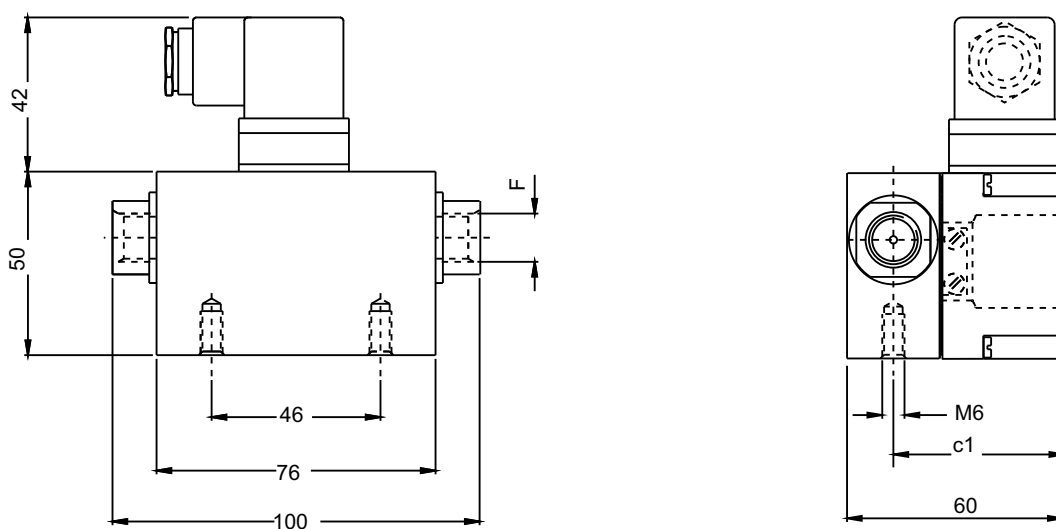
SWITCH WITH DIN PLUG AT BACK (MODEL 200 DPG)

F=1/4"NPT - 1/4"BSP

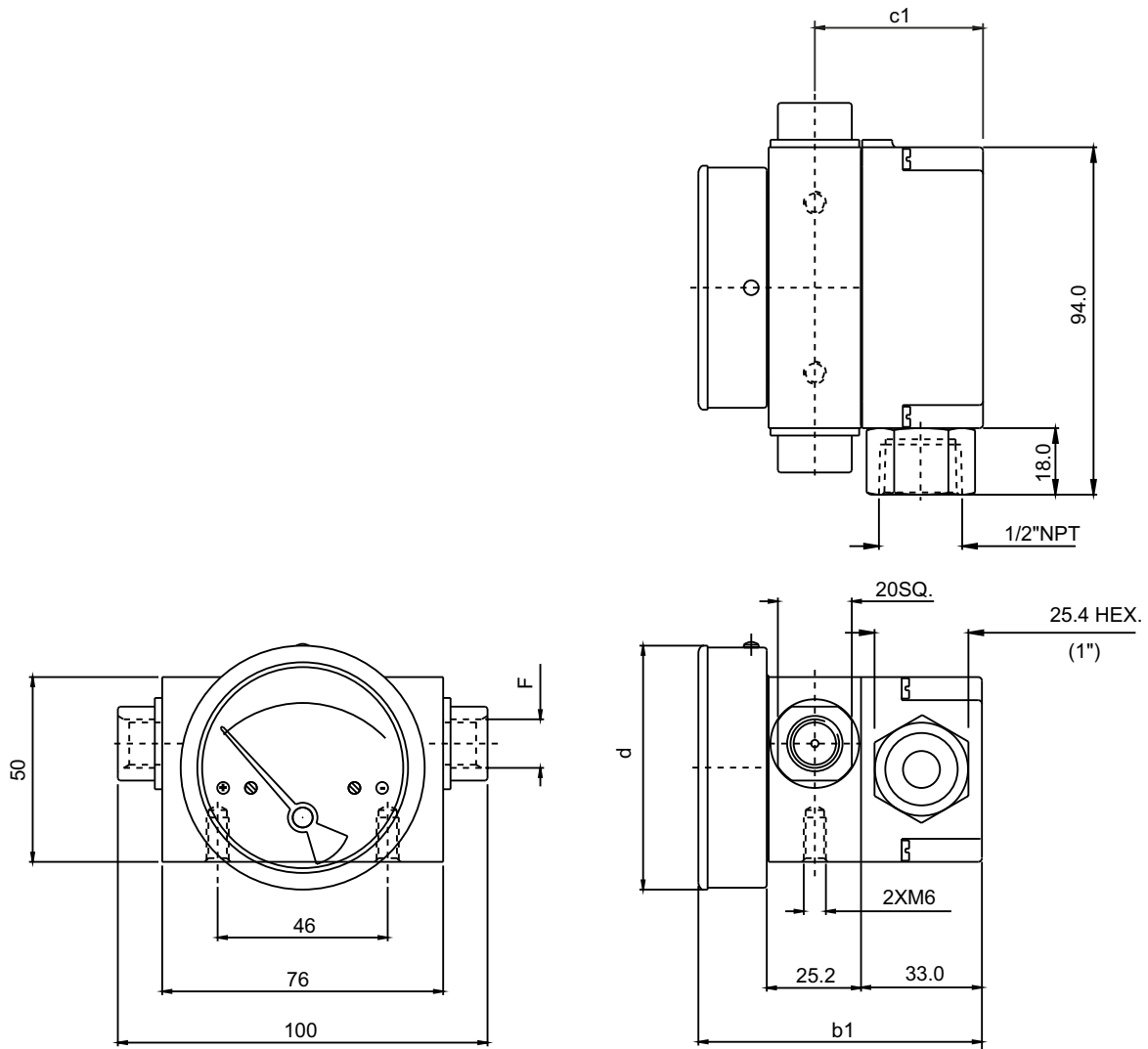


SWITCH WITH DIN PLUG ON TOP (MODEL 200 DPG)

F=1/4"NPT - 1/4"BSP , C1=47.5



GAUGE + SWITCH WITH REED CONTACTS WITH TERMINAL STRIP & 1/2" NPT CONDUIT CONNECTION (MODEL 200 DPG)



DIAL ϕ	F	b1	c1	d
50 (2")	1/4" BSP - 1/4" NPT	78	47.5	53
63 (2.5")	1/4" BSP - 1/4" NPT	79	47.5	66
80 (3.5")	1/4" BSP - 1/4" NPT	79	47.5	83
100 (4")	1/4" BSP - 1/4" NPT	79	47.5	104.3
115 (4.5")	1/4" BSP - 1/4" NPT	79	47.5	119.7
150 (6")	1/4" BSP - 1/4" NPT	79	47.5	154.3

Authorised Dealer



NK Instruments Pvt. Ltd.

B-501/504, 5th floor, Raunak Arcade, Near THC Hospital, Gokhale Road, Naupada,
Thane(W) 400602. Maharashtra INDIA
E-Mail: sales@nkinstruments.com
Skype: nitinkelcarskype

Telefax Nos.: 91-22-25301330 / 31 / 32
Web: <http://www.nkinstruments.com>
Gtalk: nkinstruments2006



SELECT MODEL

1 Series	200 DPG			
2 Type	G Gauge	S Switch		
	GS Gauge + Switch			
3 Body material	A Aluminum	S SS-316		
	B Brass	M Monel		
4 Dial size	2.0 2.0" (50mm)	4.0 4.0" (100mm)		
	2.5 2.5" (63 mm)	4.5 4.5" (115 mm)		
	3.5 3.5" (80 mm)	6.0 6.0" (150 mm)		
5 Connection	4N 1/4" NPT (F) (Std.)	4B 1/4" BSP (F)		
	ZZ Special connection sizes using adaptor			
6 Porting	1 In-line (Std.)	6 In-line & bottom		
	2 Rear / Back	8 In-line & back		
	3 Bottom			
7 Case	S4 SS 304 (Std.)	S6 SS 316		
	F4 SS 304 flange			
	EP Engineering polymer (available in 2.5", 4.5", 6.0" only)			
	BF Bayonet (available in 4.0" safety glass only)			
8 Window	F Glass (Std.)	A Acrylic		
	T Toughened glass	L Safety glass		
9 Seals/Diaphragm	B Buna-N (Std.)	E EPDM		
	V Viton			

Advantages :
Instrument automatically resets after line surges and cold start. This eliminates balancing of differential pressure instrument after such events.

- Notes**
- No mounting bracket for back porting.
 - Bracket on request for bottom porting.
 - Switch not available for gauge with back porting. However, it can be offered in 32mm thick body (option K) with switch on top.
 - For SS 316 case, please contact factory (MOQ applies).
 - Liquid filling + Follower pointer available.
 - Switch adjustment range between 20-100% of full scale deflection (FSD). For specific details, please contact factory.
 - Mounting bracket: Aluminum (Standard) ; SS (Optional)

10 Switch

Select option & Specifications

0	None
1	One SPST, with a DIN plug †
2	One SPST, with a terminal strip
2A	One SPST, with built in relay
3	Two SPSTs, with a DIN plug †
4	Two SPSTs, with a terminal strip
4A	Two SPSTs, with built in relay
5	One SPDT, with a DIN plug †
6	One SPDT, with a terminal strip
7	Two SPDTs, with two DIN plugs
8	Two SPDTs, with a terminal strip

Example: Switch selection 21 is 1 SPST with terminal strip with switch specifications 10VA, 100V, 0.5Amp
† DIN plug mounted on the top.

SPST Specifications (AC/DC max)

1 Standard	2	3	4
10 VA	40 VA	100 VA	60 VA
100 V	230 V	300 V	240 V
0.5 Amp	1 Amp	1 Amp	3 Amp
Adjustable	Adjustable	Adjustable	Adjustable

SPDT Specifications (AC/DC max)

1 Standard	2	3	4
3 VA	5 VA	5 VA	60 VA
30 V	125 V	175 V	400 V
0.3 Amp	0.25 Amp	0.25 Amp	1 Amp
Adjustable	Adjustable	Adjustable	Factory Set

New switch added

11 Range

Standard ranges : (Other ranges & units on request)

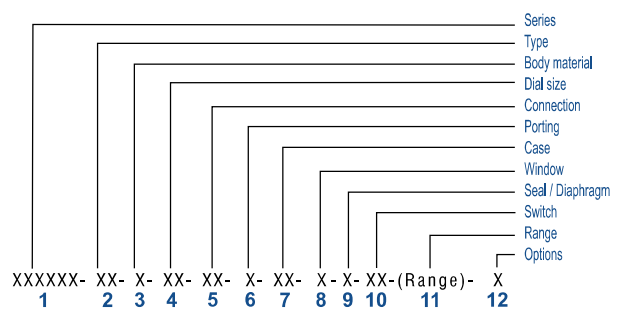
Kg/cm ²	0.25	-	0.5	0.75	1	-	1.6	2	2.5	3	3.5	4	5	-	6	7	9	10
bar	0.25	-	0.5	0.75	1	-	1.6	2	2.5	3	3.5	4	5	-	6	7	9	10
mbar	250	-	500	750	1000	-	-	-	-	-	-	-	-	-	-	-	-	-
psi	-	5	8	-	15	20	25	30	-	40	50	60	-	80	-	100	-	-
kPa	25	-	50	75	100	-	160	200	250	300	350	400	500	-	600	700	900	1000

12 Options

- 0 None
- A Glycerine*
- B Red follower pointer on acrylic window *
- C Customer Logo
- D Dual scale
- E Color band
- F Filter mesh in (+) connection
- G Reverse Port**
- H Descending calibration (long delivery time)
- N NACE
- S Silicone oil*
- I Oxygen service (Contact factory)
- K 32mm thick body for high pressure application (350bar for Al, 450bar for SS)
- P DIN plug at back on plastic switch cover**
- M1 2" horizontal pipe mounting bracket
- M2 Surface mounting bracket
- M3 2" vertical pipe mounting bracket

* Affects accuracy
** Pointer moves from right to left

Ordering code sequence



Contact factory for special execution.