

COMBINATIONS

Gauge



Switch



Gauge+switch
(With a DIN plug on top)



MOUNTING BRACKETS

Gauge
(Flush/Panel mounting)



Gauge
(Surface mounting)



Gauge
(2" Pipe mounting)



MAGNETIC

**DP Range : 0 to 25 upto 1250 mm H₂O
0 to 1 upto 50 inch H₂O**

Specifications

Accuracy	±3% of the FSD (Ascending)
Migration	No migration ; Zero leakage from high to low port
Range	0-25 to 0-1250 mm of water
First marking on the scale	15% of the FSD
Sensing element	Diaphragm
Wetted parts	Diaphragm, body material, SS 302 spring & ceramic magnet
Case material	Stainless steel (SS 304)
Dial size in mm (inch)	112mm (4 1/2 ")Std.
Mounting	Flush (Std.), 2" pipe & surface mounting on request
Maximum working pressure	2.4 bar / 35psi
Maximum process temperature	60°C / 130° F
Body material	Engineering polymer
Seals	Buna-N, Viton, EPDM diaphragm & 'O' rings
Window	Float glass(Std.), toughened glass & acrylic on request.
Connection	1/8" NPT(F) Std
Porting	Inline & back (user to select)
Over range protection	Up to the max. working pressure from high side
Protection for gauge & switch	IP 65 / NEMA-4

Options

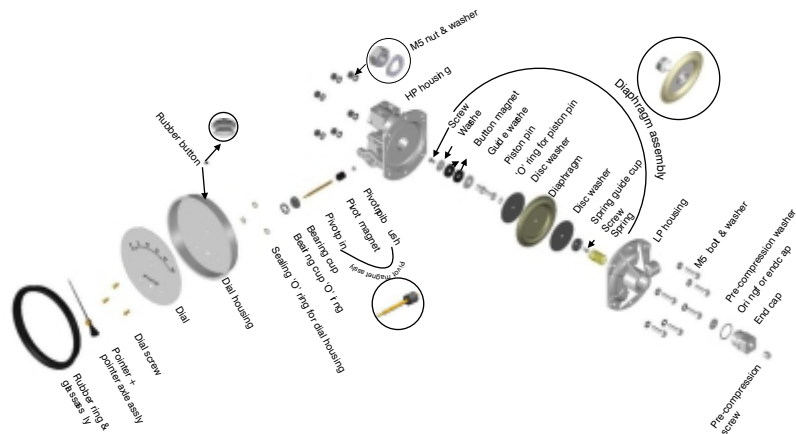
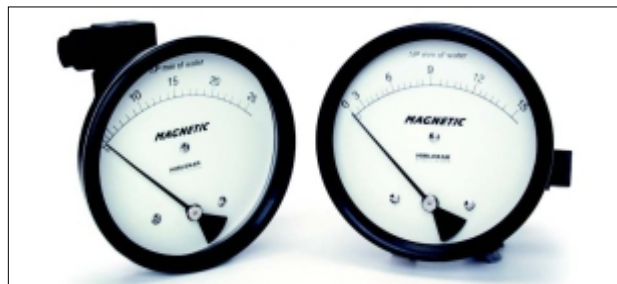
- Customer logo
- Dual scale
- Colour band

Switches (Adjustable in 40-80% of FSD)

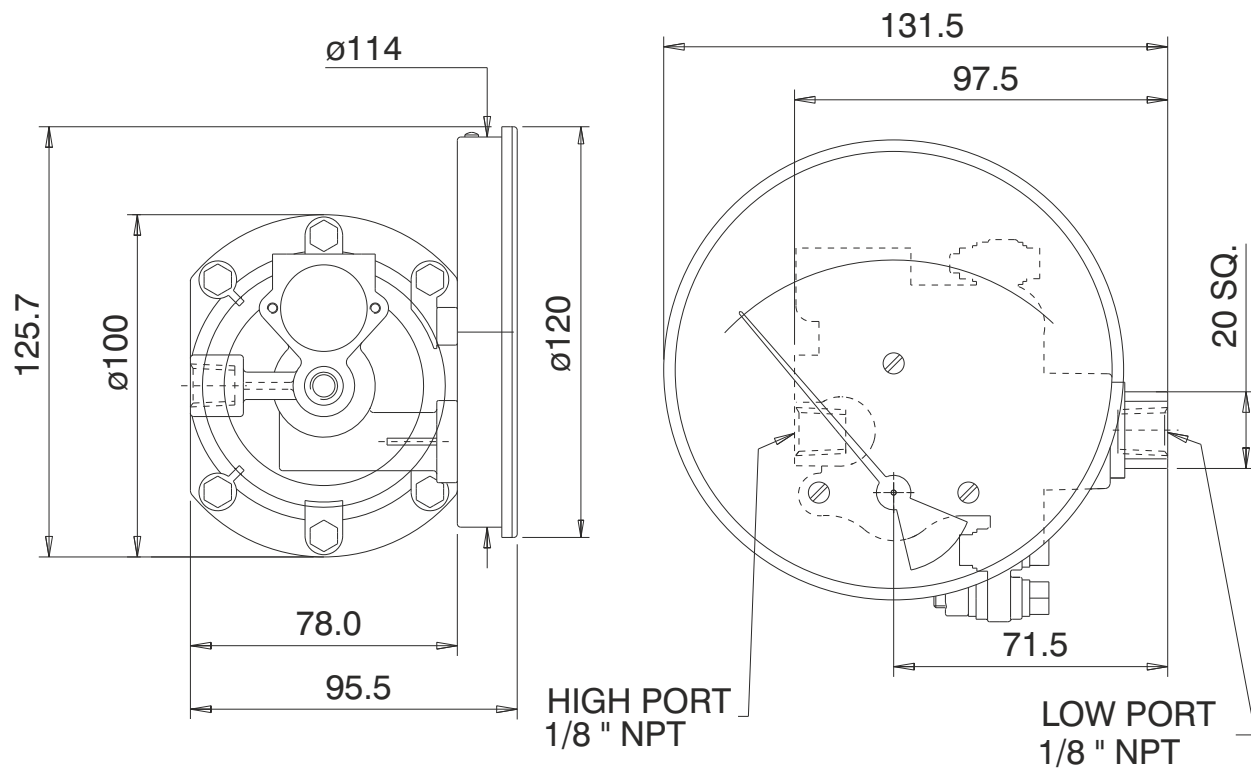
- 1 or 2 SPSTs with a DIN plug
- 1 SPDT with a DIN plug

Switch can be added anytime on the field.

Accessories supplied with the instrument



STANDARD DIMENSIONS (Model 600DGC)



Authorised Dealer



NK Instruments Pvt. Ltd.

B-501/504, 5th floor, Raunak Arcade, Near THC Hospital, Gokhale Road, Naupada,
Thane(W) 400602. Maharashtra INDIA
E-Mail: sales@nkinstruments.com
Skype: nitinkelkarskype

Telefax Nos.: 91-22-25301330 / 31 / 32
Web: <http://www.nkinstruments.com>
Gtalk: nkinstruments2006



SELECT MODEL

- 1 Series** **600 DGC**
- 2 Type** G Gauge S Switch
 GS Gauge + Switch
- 3 Body material** P Engineering Polymer
- 4 Dial size** 3.5 3.5" (80 mm) 4.5 4.5" (115 mm)
 4.0 4.0" (100 mm) 6.0 6.0" (150 mm)
 4.4 4.4" (112 mm) (Std.)
- 5 Connection** 8N 1/8" NPT (F)
- 6 Porting** 1 In-line 8 In-line & back
 2 Back
- 7 Case** S4 SS 304 (Std.)
 F4 SS 304 flange
 EP Engineering polymer (available in 4.5", 6.0" only)
- 8 Window** F Glass (Std.) A Acrylic
 T Toughened glass L Safety glass
- 9 Seals/Diaphragm** B Buna-N (Std.) E EPDM
 V Viton
- 10 Switch** Select option & Specifications

Advantages :

Instrument automatically resets after line surges and cold start. This eliminates balancing of differential pressure instrument after such events.

Notes

- Longer lead time for non-standard dial sizes and flange case
- For SS 316 case, please contact factory (MOQ applies).
- Liquid filling + Follower pointer available.
- Switch adjustment range between 20-80% of full scale deflection (FSD). Switches mounted at the back. For specific details, please contact factory.
- Mounting bracket: Aluminum (Standard) ; SS (Optional)

0	None
1	One SPST, with a DIN plug
3	Two SPSTs, with a DIN plug

+

SPST Specifications (AC/DC max)

1 Standard	2	3	4
10 VA	40 VA	100 VA	60 VA
100 V	230 V	300 V	240 V
0.5 Amp	1 Amp	1 Amp	3 Amp
Adjustable	Adjustable	Adjustable	Adjustable

5	One SPDT, with a DIN plug
---	---------------------------

+

SPDT Specifications (AC/DC max)

1 Standard	2	3
3 VA	5 VA	5 VA
30 V	125 V	175 V
0.3 Amp	0.25 Amp	0.25 Amp
Adjustable	Adjustable	Adjustable

Example: Switch selection 31 is 2 SPSTs with DIN plug with switch specifications 10VA, 100V, 0.5Amp

11 Range

Standard ranges : (Other ranges & units on request)

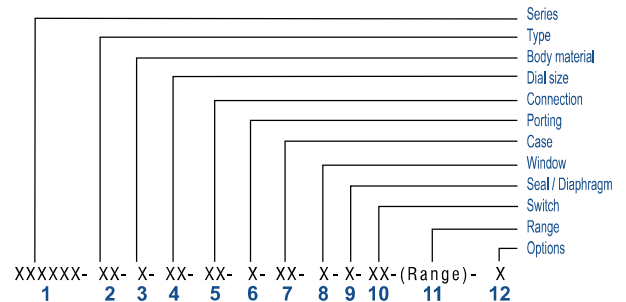
mmH2O	25	50	75	100	125	150	200	250	375	500	750	1000	1250
InH2O	1	2	3	4	5	6	8	10	15	-	-	-	-
mbar	2.5	5.0	7.5	10	12.5	15	20	25	37.5	50	75	100	125
Pa	250	500	750	-	-	-	-	-	-	-	-	-	-

12 Options

- 0 None
- A Glycerine*
- B Red follower pointer on acrylic window*
- C Customer Logo
- D Dual scale
- E Color band
- F Filter mesh in (+) connection
- H Descending calibration (long delivery time)
- S Silicone oil*
- M1 2" horizontal pipe mounting bracket
- M2 Surface mounting bracket
- M3 2" vertical pipe mounting bracket

* Affects accuracy

Ordering code sequence



Contact factory for special execution.