

**COMBINATIONS**

**Gauge**



**Switch**

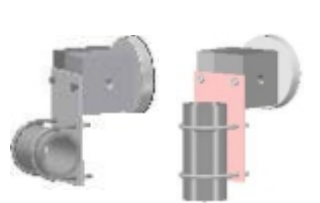


**Gauge+switch**  
(with a DIN plug)



**MOUNTING BRACKETS**

**Gauge**



**Gauge+switch**  
(with a DIN plug)



**Gauge**  
(Wall Mounting)



**400 DGC**

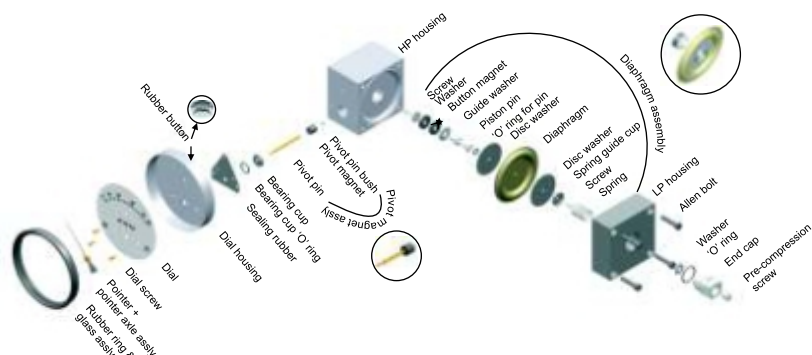
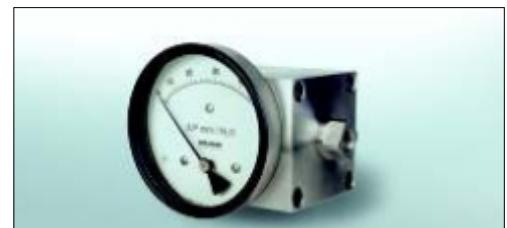
**DP Range : 0 to 25 upto 600 mm H<sub>2</sub>O  
0 to 1 upto 25 inch H<sub>2</sub>O**

**Specifications**

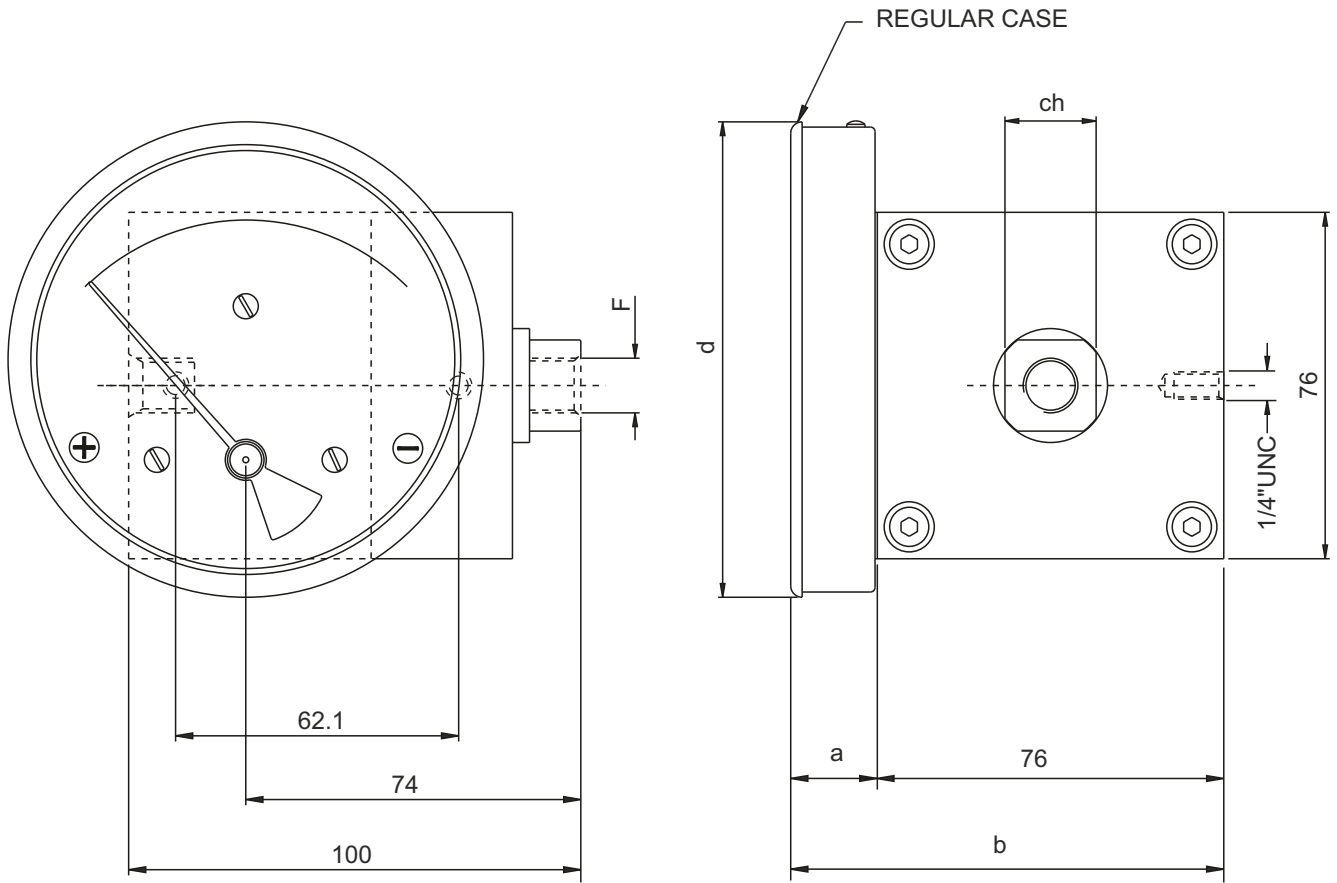
Accuracy	±2% of the FSD (Ascending)
Migration	<b>No migration : Zero leakage from high to low port</b>
Range	0-25 to 0-600 mm H <sub>2</sub> O or similar ranges in other units
First marking on the scale	15% of the FSD
Sensing element	<b>Diaphragm</b>
Wetted parts	Diaphragm, body material, SS 302 spring & ceramic magnet
Case material	Stainless steel (SS 304)
Dial size in inch/mm	3.5", 4", 4.5", 6"/ 80, 100, 115, 150 mm
Mounting	Direct, front flange, 2" pipe & surface mounting
Maximum working pressure	35 bar / 500 psi.
Maximum process temperature	80°C / 175° F
Body material	Aluminum & SS 316
Seals	Buna-N, Viton, EPDM diaphragm & 'O' rings
Window	Float glass(Std.), toughened glass, acrylic & safety glass
Connection	1/4" NPT(F) Std. Optional 1/4" BSP(F) with adaptor
Porting	In-line, rear, bottom, bottom & vent, in-line & vent, in-line & bottom.
Over range protection	Up to the max. working pressure from high side
Protection for gauge & switch	IP 65 / NEMA-4

**Options**      **Switches (Adjustable in 40-100% of FSD)**

Liquid filling	1 or 2 SPSTs with a DIN plug
Red follower pointer (except 6")	1 SPDT with a DIN plug
Customer logo	
Dual scale	
Colour band	

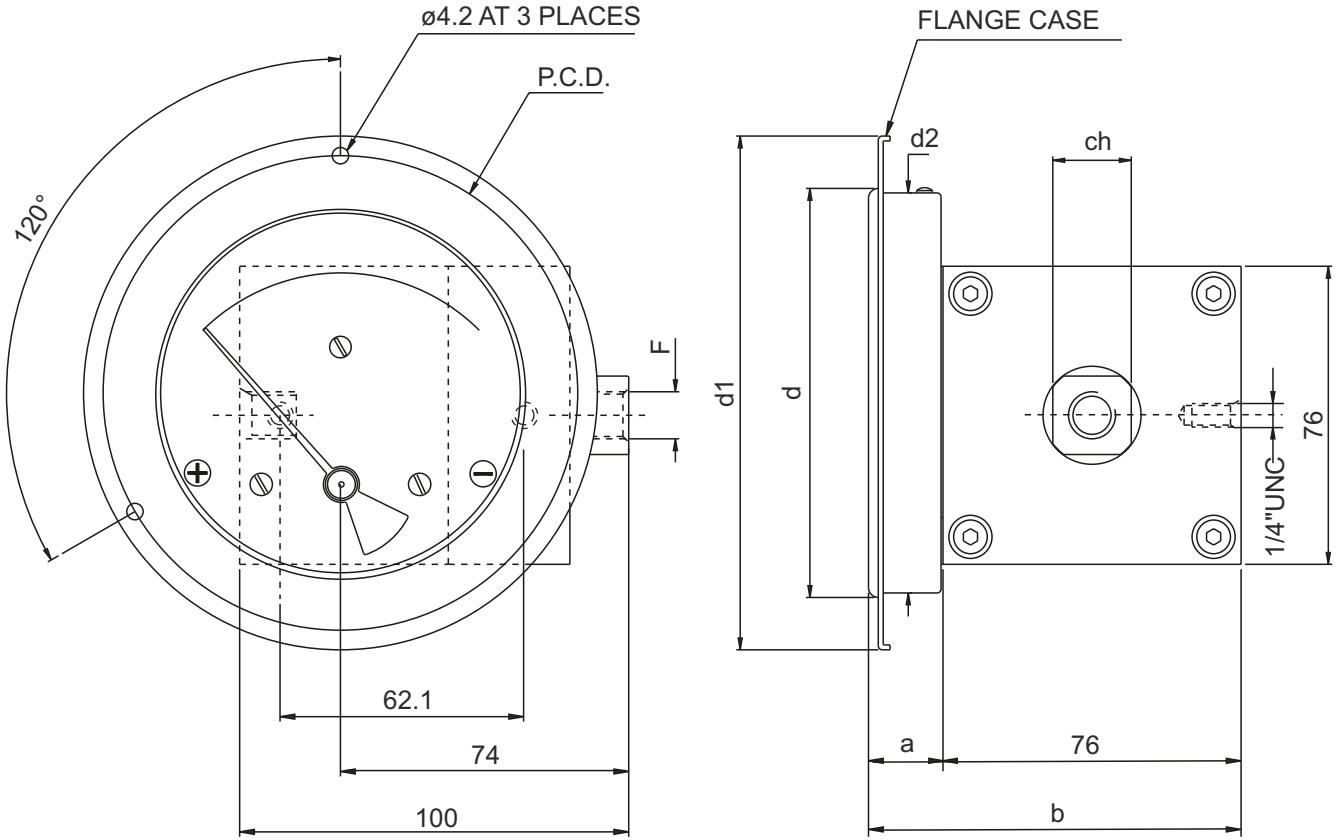


## STANDARD DIMENSIONS (MODEL 400 DGC)



DIAL Ø	F	a	b	d	ch
80 (3.5")	1/4"BSP - 1/4"NPT	19	95	83	20
100 (4")	1/4"BSP - 1/4"NPT	19	95	104.3	20
115 (4.5")	1/4"BSP - 1/4"NPT	19	95	119.7	20
150 (6")	1/4"BSP - 1/4"NPT	19	95	154.3	20

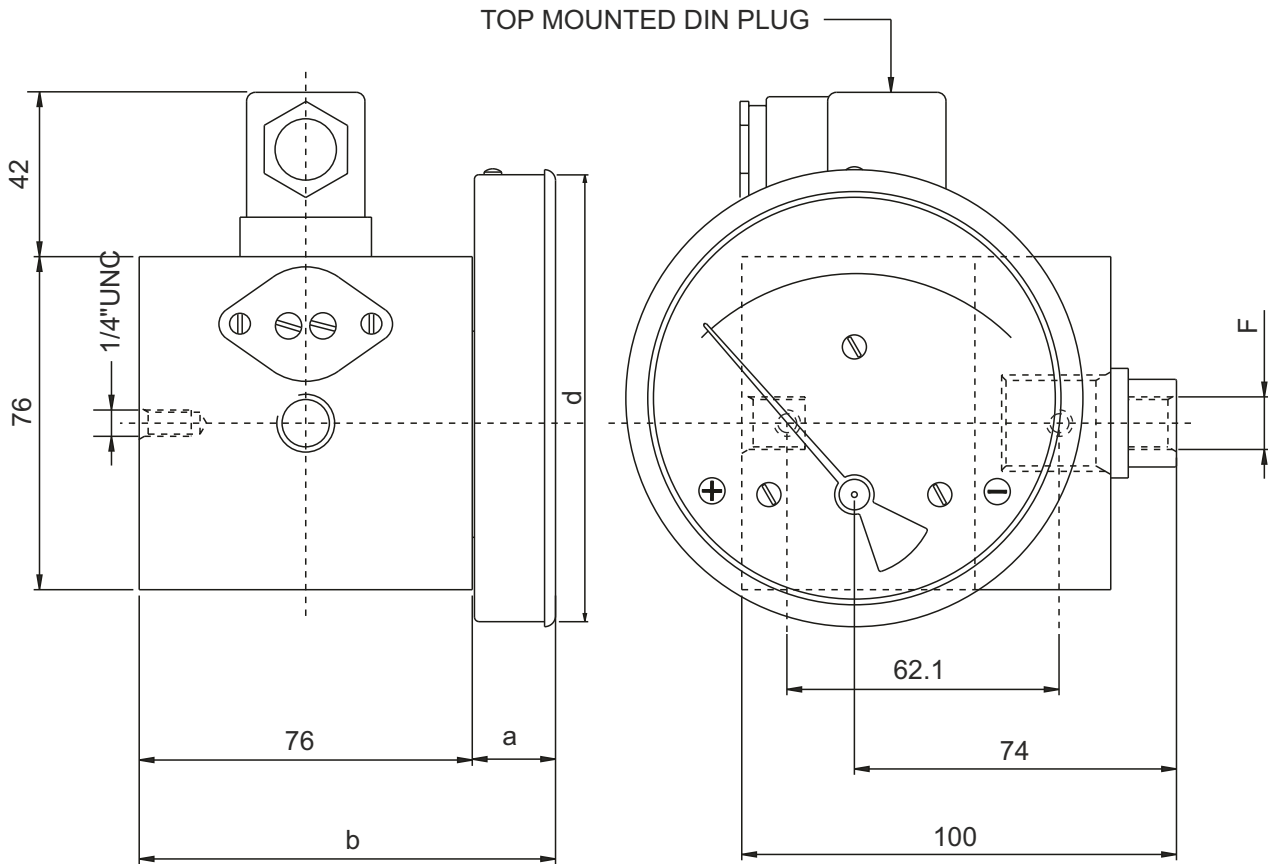
## STANDARD DIMENSIONS FOR FLANGE TYPE (MODEL 400 DGC)



DIAL Ø	F	a	b	d1	d2	ch	p. c. d	d
80 (3.5")	1/4" BSP - 1/4" NPT	19	95	109	82.0	20	99	83.0
100 (4.0")	1/4" BSP - 1/4" NPT	19	95	131	102.0	20	121	104.3
115 (4.5")	1/4" BSP - 1/4" NPT	19	95	146	117.0	20	136	119.7
150 (6.0")	1/4" BSP - 1/4" NPT	19	95	181	152.5	20	171	154.3

\* PANEL CUTOUT = d +1 mm.

## GAUGE + SWITCH WITH REED CONTACTS & DIN PLUG (MODEL 400 DGC)



DIAL Ø	F	a	b	d
80 (3.5")	1/4"BSP - 1/4"NPT	19	95	83
100 (4")	1/4"BSP - 1/4"NPT	19	95	104.3
115 (4.5")	1/4"BSP - 1/4"NPT	19	95	119.7
150 (6")	1/4"BSP - 1/4"NPT	19	95	154.3

Authorised Dealer



*NK Instruments Pvt. Ltd.*

B-501/504, 5th floor, Raunak Arcade, Near THC Hospital, Gokhale Road, Naupada,  
Thane(W) 400602. Maharashtra INDIA  
E-Mail: sales@nkstruments.com  
Skype: nitinkelcarskype

Telefax Nos.: 91-22-25301330 / 31 / 32  
Web: <http://www.nkstruments.com>  
Gtalk: nkstruments2006



## SELECT MODEL

<b>1 Series</b>	<b>400 DGC</b>			
<b>2 Type</b>	G Gauge	S Switch		
	GS Gauge + Switch			
<b>3 Body material</b>	A Aluminum	M Monel		
	S SS-316			
<b>4 Dial size</b>	2.5 2.5" (63 mm)	4.5 4.5" (115 mm)		
	3.5 3.5" (80 mm)	6.0 6.0" (150 mm)		
	4.0 4.0" (100mm)			
<b>5 Connection</b>	4N 1/4" NPT (F) (Std.)	4B 1/4" BSP (F)		
	ZZ Special connection sizes using adaptor			
<b>6 Porting</b>	1 In-line (Std.)	5 In-line & vent		
	2 Rear / Back	6 In-line & bottom		
	3 Bottom	8 In-line & back		
	4 Bottom & vent			
<b>7 Case</b>	S4 SS 304 (Std.)	S6 SS 316		
	F4 SS 304 flange			
	EP Engineering polymer (available in 2.5", 4.5", 6.0" only)			
	BF Bayonet (available in 4.0" safety glass only)			
<b>8 Window</b>	F Glass (Std.)	A Acrylic		
	T Toughened glass	L Safety glass		
<b>9 Seals/Diaphragm</b>	B Buna-N (Std.)	E EPDM		
	V Viton			

### Advantages :

Instrument automatically resets after line surges and cold start. This eliminates balancing of differential pressure instrument after such events.

### Notes

- 1.6% accuracy available on request.
- For SS 316 case, please contact factory (MOQ applies).
- Liquid filling + Follower pointer available.
- Switch adjustment range between 20-80% of full scale deflection (FSD). For specific details, please contact factory.
- Mounting bracket: Aluminum (Standard) ; SS (Optional)

## 10 Switch

0	None
1	One SPST, with a DIN plug †
2	One SPST, with a terminal strip
2A	One SPST, with built in relay
3	Two SPSTs, with a DIN plug †
4	Two SPSTs, with a terminal strip
4A	Two SPSTs. with built in relay

+

### SPST Specifications (AC/DC max)

1 Standard	2	3	4
10 VA	40 VA	100 VA	60 VA
100 V	230 V	300 V	240 V
0.5 Amp	1 Amp	1 Amp	3 Amp
Adjustable	Adjustable	Adjustable	Adjustable

5	One SPDT, with a DIN plug †
6	One SPDT, with a terminal strip
7	Two SPDTs, with two DIN plugs
8	Two SPDTs, with a terminal strip

+

### SPDT Specifications (AC/DC max)

1 Standard	2	3
3 VA	5 VA	5 VA
30 V	125 V	175 V
0.3 Amp	0.25 Amp	0.25 Amp
Adjustable	Adjustable	Adjustable

Example: Switch selection 21 is 1 SPST with terminal strip with switch specifications 10VA, 100V, 0.5Amp

† DIN plug mounted on the top.

## 11 Range

Standard ranges : (Other ranges & units on request)

mm H2O	25	50	125	250	600
In. H2O	1	2	5	10	25
mbar	-	5	-	25	60
kPa	0.25	0.5	1.25	2.5	6

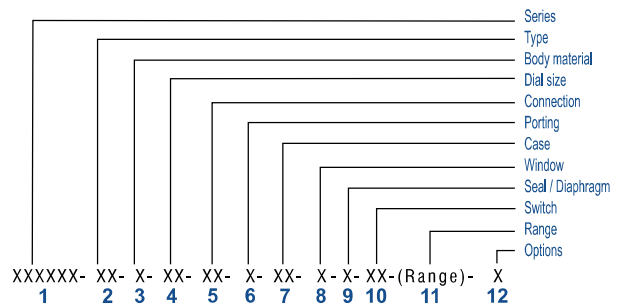
## 12 Options

0	None
A	Glycerine*
B	Red follower pointer on acrylic window *
C	Customer Logo
D	Dual scale
E	Colour band
F	Filter mesh in (+) connection
G	Reverse Port**
H	Descending calibration (long delivery time)
N	NACE
S	Silicone oil*
I	Oxygen service (Contact factory)
M1	2" horizontal pipe mounting bracket
M2	Surface mounting bracket
M3	2" vertical pipe mounting bracket

\* Affects accuracy

\*\* Pointer moves from right to left

## Ordering code sequence



Contact factory for special execution.