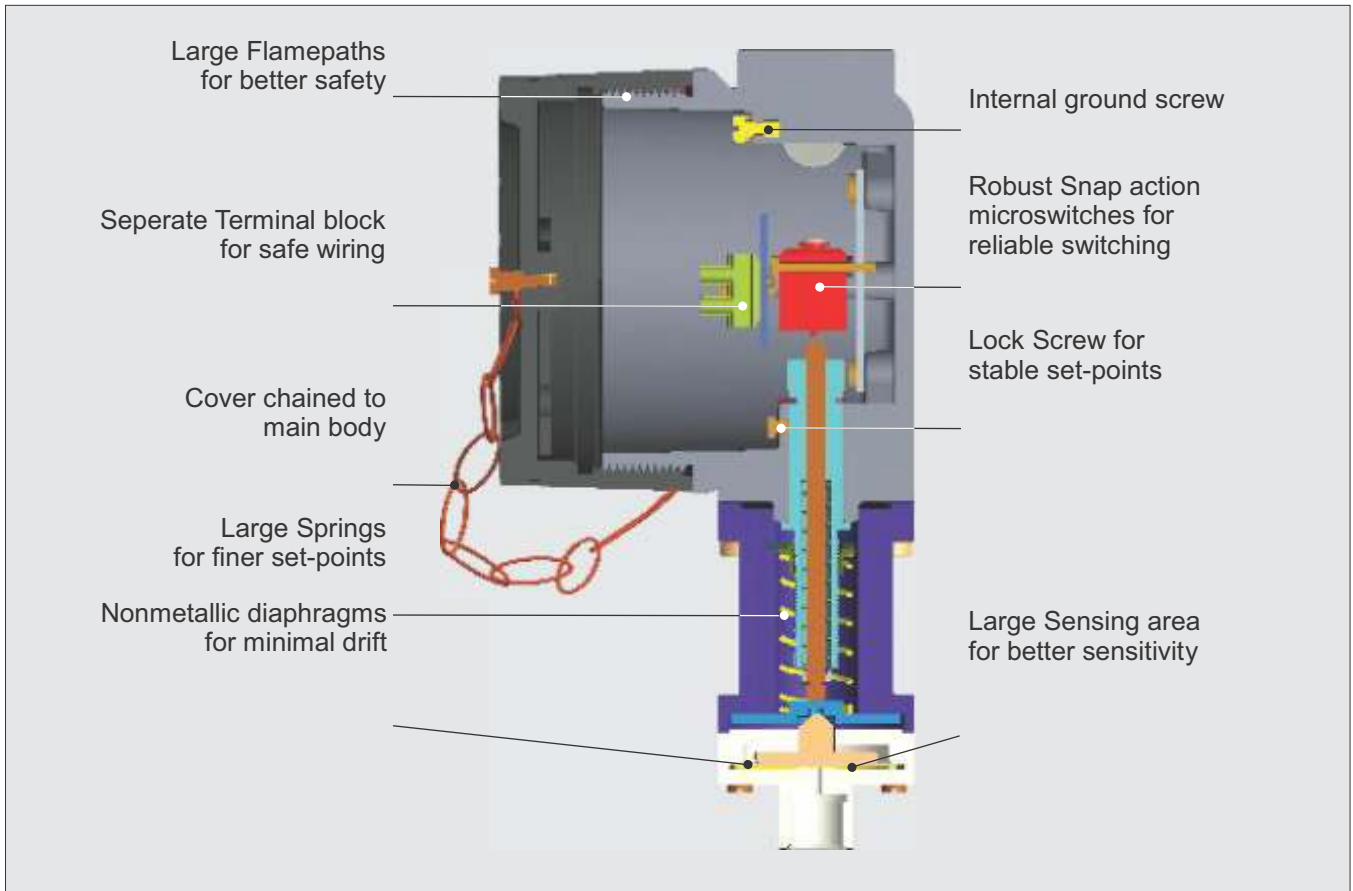


FC HIGH PRESSURE RANGES



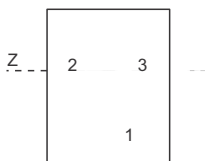
Approximate Weight :

Pressure switches with Aluminium enclosure : 1.87 Kg.

Pressure switches with Grey CI enclosure : 4.27 Kg.

Pressure switches with SS enclosure : 4.42 Kg.

Electrical Connection :



Some Applications :

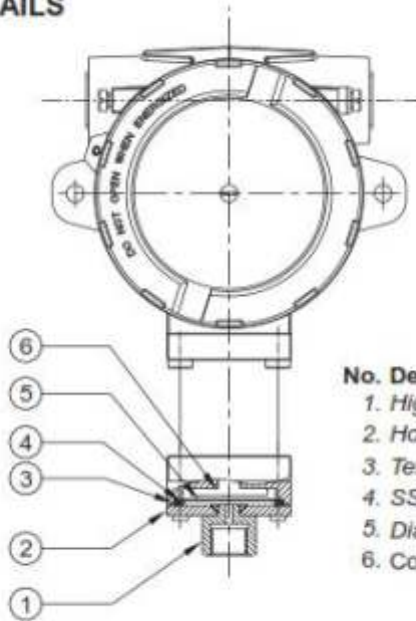
Used in hazardous areas for applications like fire fighting systems, LPG bottling plants, etc. For any type of corrosive and non-corrosive gases and fluids.

FC

HIGH PRESSURE RANGES



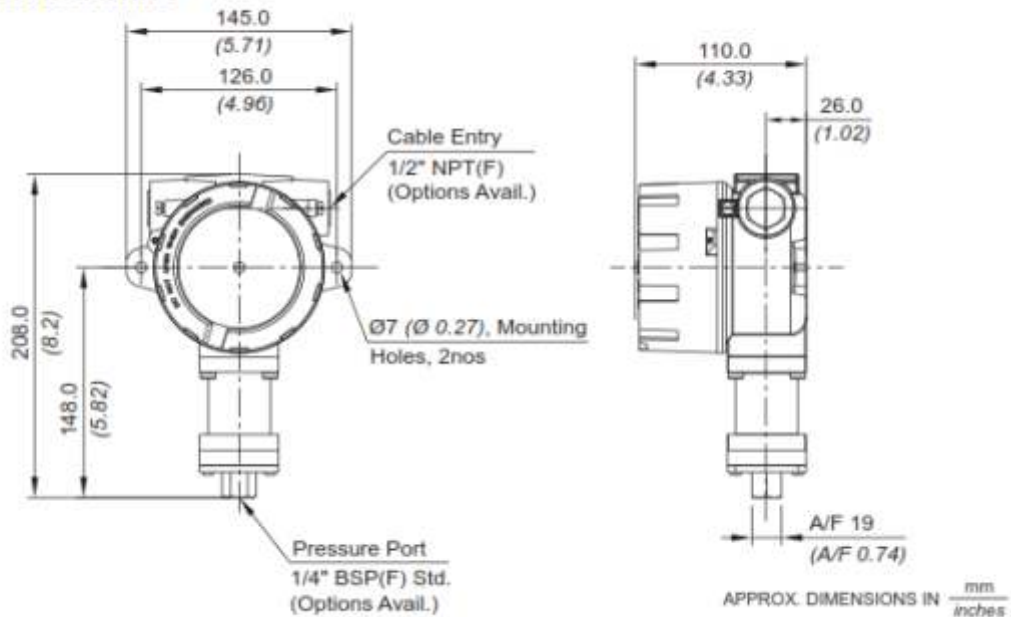
PRESSURE CAPSULE DETAILS



- No. Description**
1. High Pressure Port (SS316)
 2. Housing Plate (SS316)
 3. Teflon® O-Ring
 4. SS 316 Ring
 5. Diaphragm (Teflon®)
 6. Conical Plunger

Note : wetted parts are mentioned in italics.

INSTALLATION DRAWING



FC HIGH PRESSURE RANGES

RANGE SELECTION TABLE

Range Code	Range bar (psi)	Differential* bar (psi)	Maximum Working Pressure bar (psi)
		Approximate Maximum for "A1" microswitch	
LP	0.067 - 0.213 (0.97 - 3.09)	0.02 (0.29)	5 (72.52)
LP5	0.1 - 0.5 (1.45 - 7.25)	0.08 (1.16)	5 (72.52)
H01	0.1 - 1.0 (1.45 - 14.50)	0.10 (1.45)	12 (174.05)
H02	0.1 - 1.5 (1.45 - 21.76)	0.12 (1.74)	12 (174.05)
H03	0.2 - 2.6 (2.90 - 37.71)	0.15 (2.17)	12 (174.05)
H04	0.2 - 3.6 (2.90 - 52.21)	0.20 (2.90)	12 (174.05)
H07	0.5 - 7.0 (7.25 - 101.50)	0.20 (2.90)	12 (174.05)
H10	0.5 - 10.0 (7.25 - 145.037)	0.40 (5.80)	25 (362.6)
H15	1.0 - 15.0 (14.5 - 217.56)	0.50 (7.25)	25 (362.6)
H30	5.0 - 25.0 (72.52 - 362.6)	1.0 (14.5)	35 (507.63)

*Minimum differential increases with setpoint, values with neoprene diaphragm (Graphs available on request)

* Differentials of microswitches A2 through A9 will vary. Differentials for A7 are typically twice that for A1 microswitch. Please indicate specifically the differential value in enquiry/order, when it is critical in your application.

HOW TO ORDER FLAMEPROOF HIGH RANGE PRESSURE SWITCHES

Group 1	Group 2	Group 3	Group 4	Group 5	Group 6	Group 7	Group 8
Non standard allocation	Gas Group Classification	Cable Entry Size	Switch Type	Range Code (values in bar)	Microswitch Type	Pressure Port Material / Size	Diaphragm
<input type="checkbox"/> Reserved for non-standard options not covered in catalogue. Will be given by manufacturer, only after agreement of supply details with customer.	FC = Flameproof pressure switch, ATEX & IECEx approved, with Aluminium head as per IS/IEC 60079-1 for Gas Gr. IIC	1 = Al. head 1/2" NPT threads 2 = Al. head 3/4" NPT threads 3 = Al. head M20 x 1.5 threads 4 = Grey CI head 1/2" NPT threads 5 = Grey CI head 3/4" NPT threads 6 = Grey CI head M20 x 1.5 threads 7 = SS head 1/2" NPT threads 8 = SS head 3/4" NPT threads 9 = SS head M20 x 1.5 threads	P 1 = pressure switch, fixed differential without scale P 2 = pressure switch, fixed differential with scale in bar P 3 = pressure switch, fixed differential with scale in psi	LP = (0.067 - 0.213) LP5 = (0.1 - 0.5) H01 = (0.1 - 1.0) H02 = (0.1 - 1.5) H03 = (0.2 - 2.6) H04 = (0.2 - 3.6) H07 = (0.5 - 7.0) H10 = (0.5 - 10.0) H15 = (1.0 - 15.0) H30 = (5.0 - 25.0)	A1 = General purpose microswitch rated at 15 A; 250 VAC *A2 = Hermetically sealed for corrosive environments *A3 = gold plated contacts for low voltage applications *A4 = DPDT configuration *A5 = for high DC ratings *A6 = elements with adjustable deadband *A7 = 2SPDT switching elements *A9 = General purpose microswitch rated at 5 A; 250 VAC Please refer page no. 230 for more microswitch options * Please refer note under Range Selection Table	S1 = SS316 / 1/4" BSP(F) S2 = SS316 / 1/4" NPT(F) H1 = Hastelloy C / 1/4" BSP(F) H2 = Hastelloy C / 1/4" NPT(F) N1 = Monel / 1/4" BSP(F) N2 = Monel / 1/4" NPT(F) Please refer page no. 226 & 227 for more pressure port options	0 = Neoprene 1 = Teflon 2 = SS 316L 3 = Hastelloy C 4 = Monel 5 = Titanium 6 = Tantalum 7 = Inconel

eg. A flameproof switch for gas group IIC, with 1/2" NPT cable entry in aluminium housing as 1SPDT pressure switch, having 0.1 bar to 1 bar pressure range, with 15Amp. Micro switch, SS316 pressure housing with 1/4" BSP port size & neoprene diaphragm shall be specified by

Group 1	Group 2	Group 3	Group 4	Group 5	Group 6	Group 7	Group 8
<input type="checkbox"/>	FC	1	P1	H01	A1	S1	0

Please specify full model number to avoid ambiguity. If only the first two groups are specified while ordering, un-calibrated switches with standard wetted parts and enclosures will be supplied.

Continuous efforts for product development may necessitate changes in these details without notice

Authorised Dealer



NK Instruments Pvt. Ltd.

B-501/504, 5th floor, Raunak Arcade, Near THC Hospital, Gokhale Road, Naupada, Thane(W) 400602. Maharashtra INDIA
 E-Mail: sales@nkstruments.com
 Skype: nitinkelkarskype

Telefax Nos.: 91-22-25301330 / 31 / 32
 Web: http://www.nkstruments.com
 Gtalk: nkstruments2006



HIGH PRESSURE RANGES

FC