

DTGM

Digital Temperature Gauge

Accuracy : ±0.25% of F.S.



Special Features

- Micro Controller based
- Available in Rigid Stem type either Horizontal or Vertical Mounting or every angle type
- Feather Touch keypad for easy operation
- Also available in distant type (capillary type) up to 10 Meter Extension length.
- Wide temperature range **-100°C to 450°C** in RTD and **-50°C to +1000°C** in "K" type Thermocouple.
- Available in 180° adjustable type in one plane.
- Battery operated, (1.5x4 alkaline battery)
- Battery life 2 years in Continuous Operation

Application

- Ideal for all types of Process Industry
 - "DIGITHERM" can replace the conventional mercury-in-steel, Inert Gas System, Vapor Pressure and Bimetallic Temperature gauges.
- The most important plus point of this instruments that It can be easily calibrated, repair by changing the Sensor.

Specifications

Display	: 15mm High 5 Full Digit Seven Segment Customised LCD
Calibration	: Possible, Password Protected
Wetted PARTs	: AISI 316 SS
Connection	: ½" BSP (M) Adjustable Through Full Sensor Length
Enclosure	: AISI 304 SS Snap Action Bayonet Type IP 65
Sensor	: RTD PT-100 Class A for Range upto 450° & K Type for Range upto 1000°
Sensor Diameter	: 4 mm / 6mm / 8 mm / 10 mm / 12 mm
Sensor Length	: 300 mm Standard or As required Upto 10 Meter
Operating Temperature	: 10°C to 60°C For Enclosure
Instrument Dimensions	: 4" or 100 mm Dial
Instrument Weight with battery	: 650 Grams for Standard Version

How To Order

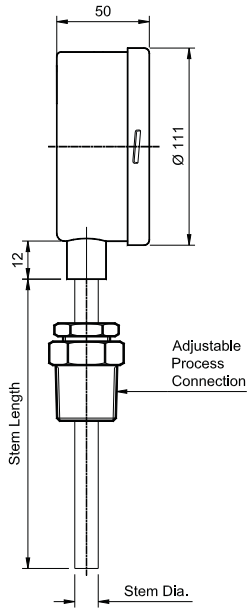
How To Order		Example
Basic Model		DTGM
Code		
Type of Mounting		X
1 Wall/surface/projection mounting With bottom entry	2 Direct bottom entry 8 Every angle back entry	
Process Connection		XXX
3BM 3/8" BSP (M)* 4BM ½" BSP (M) (Standard) 3TM 3/8" BSPT (M)* 5BM ¾" BSP (M)	3NM 3/8" NPT (M)* 4NM ½" NPT (M) # 4TM ½" BSPT (M) 4MM M20 x 1.5 (M)	
* Suitable for stem diameter 6 to 10 mm		XX
Process Connection Type		
AD Adjustable (Standard)	FX Fixed	SL Revolving / Swivel
Stem Diameter		XXX
SD04 4 mm	SD06 6 mm (Standard)	
SD10 10 mm		SD12 12 mm
Stem Length STD : 300mm (Below thread Max. 600 mm for Rigid Stem & 10 Meter for Soft Stam)		300 mm
Sensor Type		XX
PT PT-100	KK K Type	

Ordering Example : DTG - X - XXX - XX - XXX - 300mm - XX

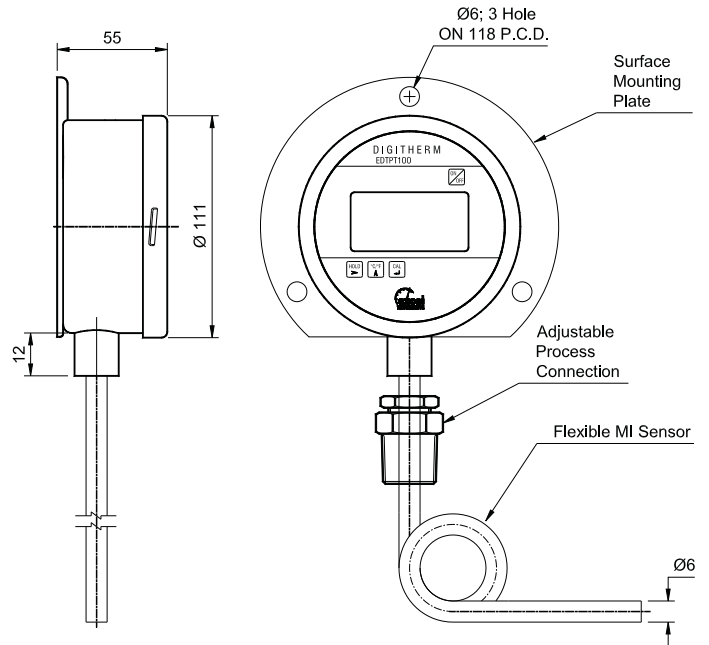
For other optional items, please contact factory for delivery and minimum quantity of order. Note : Specifications and dimensions given in this product catalogue represents the state of engineering at the time of printing. Modifications may take place and materials specified may be replaced by others without prior notice.

Dimensions - Standard Version

TYPE 2



TYPE 1



TYPE 8

