



### Special Features

- CE Approved electrical contacts
- Stainless steel case & measuring system
- Filled version available
- Standard followed in general EN 837-1

### Application

- To control the electrical operation of compressors
- Pumps
- Motors
- Presses
- Hydraulic
- Pneumatic equipments
- Chemicals
- Petrochemical plants

### Specifications

#### Standard Version : 100 mm & 150 mm

Accuracy	: ±1.0% of F.S.
Ambient temperature	: -20°C to +65°C
Process temperature	: Max. 100°C
Electric wiring	: DIN Connector or 1 Meter Cable With Cable Gland
Contact setting	: Over on arc of 270° through a knob placed on front of lens
Operating pressure range	: 75% of Scale Value
Over pressure limit	: Not Suitable

Case & Bezel	: AISI 304 SS (Bayonet Type)
Bourdon	: AISI 316L SS
Socket	: AISI 316L SS (Directly welded to case)
Movement	: AISI 304 SS
Joints	: Tig Argon Arc Welding

Protection	: IP 68
Dial	: Aluminum, black graduation on white background
Pointer	: Aluminum, black coloured micrometer zero adjustable
Window	: Plexi Glass
Electrical Contacts*	: Refer How to Order
Blow off Disc	: Neoprene
Gasket & Filling Plug	: Neoprene

\* Please specify contact set points while ordering.

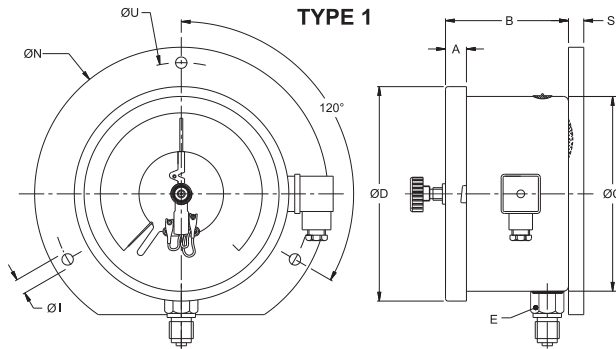
#### Filled version - dielectric oil (option - DOF)

Accuracy	: ±1.6% of F. S.
Ambient Temperature	: Maximum 65°C
Process Temperature	: +15°C / 65°C
Window	: Plexi Glass
Blow off Disc*	: NBR
Gasket & Filling Plug*	: NBR
Dampening Liquids	: Dielectric Oil
Other Features	: Refer Specification of Standard Version

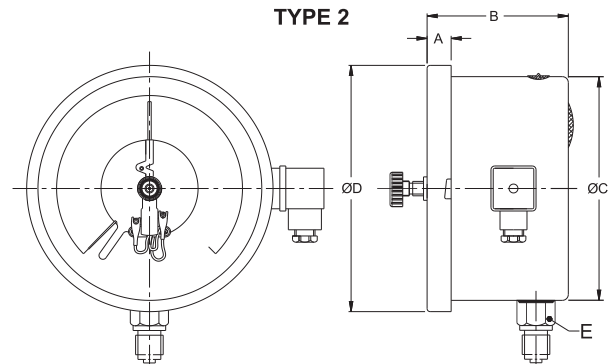
#### Temperature effect:

The variation of indication caused by effects of temperature is to be calculated by below formula; which is to be added in the specified accuracy while measurement :- Formula :  $\pm 0.04 \times (t_2 - t_1) \%$  of F. S. where  $t_1$  = reference temperature (+20°C) and  $t_2$  = ambient temperature in °C.  
Note : The addition of mechanical electric contacts affects the accuracy of instruments such that 1% becomes 1.5%, 1.6% becomes 2.4% etc. (Add the 50% of accuracy; If the contact is of the magnetically assisted type, this value can't be added within the ±5% of setting point.)

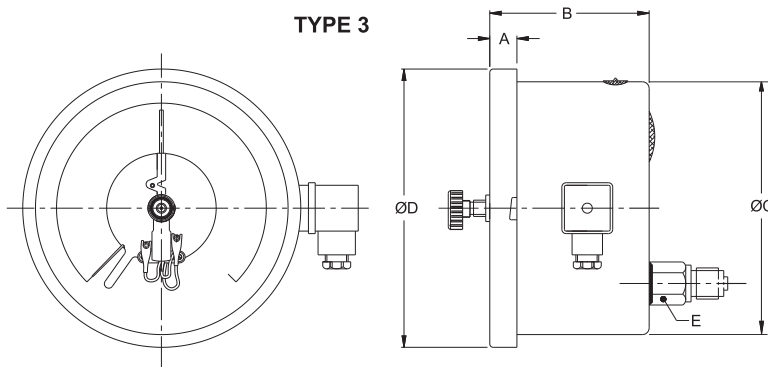
## Dimensions - standard version



NS	A	B	ØC	ØD	E	ØI	ØN	ØU	S	Weight in gram (With Box)
100	12.5	90	100	111	A/F 22	6	134	118	6	920.0
150	15.5	96	149	161	A/F 22	6	186	168	6	1600.0



NS	A	B	ØC	ØD	E	Weight in gram (With Box)
100	12.5	90	100	111	A/F 22	840.0
150	15.5	91	149	161	A/F 22	1450



NS	A	B	ØC	ØD	E	Weight in gram (With Box)
100	12.5	90	100	111	A/F 22	820.0
150	15.5	91	149	161	A/F 22	1450.0

Notes : • Drawings are not to scale.  
• All Dimensions are in mm.  
• NS = Nominal Size.

## Range Table

Note : We offer Pressure, Vacuum and Compound ranges in Scales like kPa, MPa, bar, psi, kg/cm<sup>2</sup> & Dual Scale like kPa with psi, kPa with bar, bar with psi or scales as per the requirement can be provided on request. Following are the example tables for kg/cm<sup>2</sup> & psi scales

### Pressure & Compound

#### Pressure - single scale (kg/cm<sup>2</sup> or bar)

0/1.6	0/10	0/60	0/400	Compound - single scale (kg/cm <sup>2</sup> or bar)
0/2.5	0/16	0/100	0/600	-1/5
0/4	0/25	0/160	0/1000	-1/9
0/6	0/40	0/250	0/1600	-1/15

#### Dual scale (psi with kg/cm<sup>2</sup>)

psi	kg/cm <sup>2</sup>	psi	kg/cm <sup>2</sup>	psi	kg/cm <sup>2</sup>	psi	kg/cm <sup>2</sup>
0/25	0/1.6	0/230	0/16	0/1500	0/100	0/10000	0/700
0/35	0/2.5	0/300	0/20	0/2300	0/160	0/15000	0/1000
0/60	0/4	0/400	0/28	0/3000	0/200	0/23000	0/1600
0/100	0/7	0/600	0/40	0/4000	0/280		
0/150	0/10	0/1000	0/70	0/6000	0/400		

### Accessories (Refer Datasheet for complete specifications)

<b>CT</b> Cooling tower	<b>GS</b> Over load protector (gauge saver)**	<b>SN</b> Snubber
<b>GC</b> Gauge cock	* Needle valve	<b>SP</b> Siphon

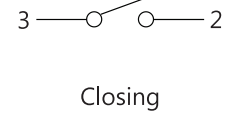
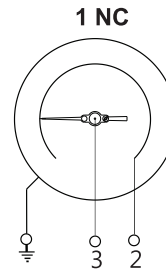
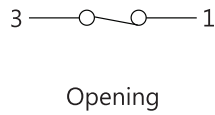
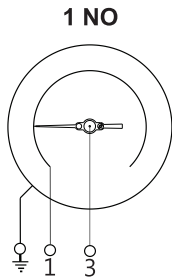
\* Refer catalogue for Valves & Manifolds

\*\* For Pressure Ranges.

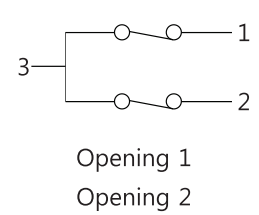
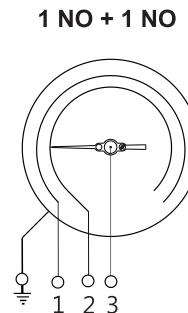
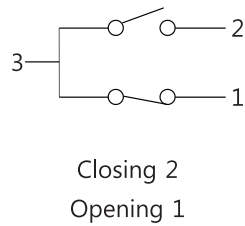
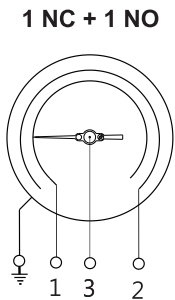
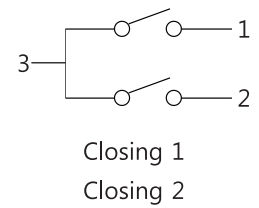
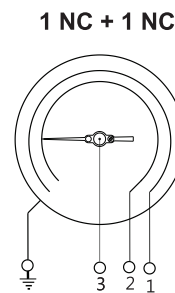
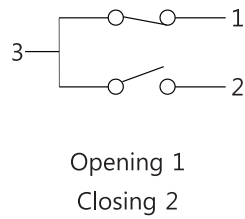
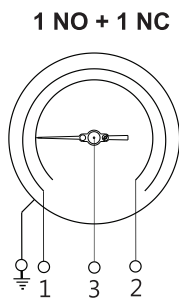
## Electrical Contact Wiring Information

### Wiring diagrams for electric contacts

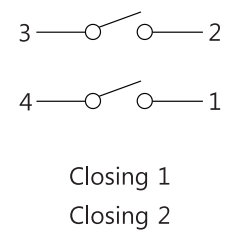
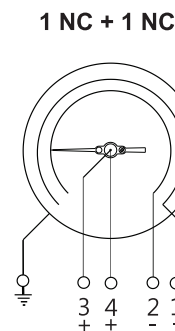
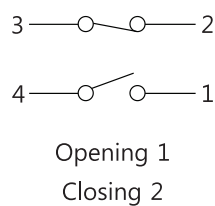
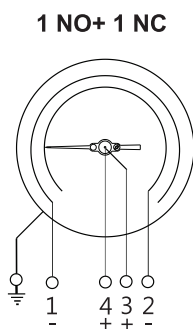
#### Single Contact



#### Double contact



#### Independent / Inductive double contact



How To Order				Example
<b>Basic Model</b>				BEC
<b>Code</b>				
<b>Nominal Size</b>	<b>40</b>	<b>60</b>		XX
	100 mm	150 mm		
<b>Type of Mounting</b>				
<b>1</b>	Wall, surface, projection mounting with bottom entry	<b>5</b>	Flush panel back entry with front flange	X
<b>2</b>	Direct bottom entry	<b>9</b>	Back entry with mounting bracket	
<b>3</b>	Direct lower back entry			
<b>Gauge Connection</b>				
<b>2BM</b>	1/4" BSP (M)	<b>2NM</b>	1/4" NPT (M)	XXX
<b>3BM</b>	3/8" BSP (M) Standard	<b>3NM</b>	3/8" NPT (M)	
<b>4BM</b>	1/2" BSP (M)	<b>4NM</b>	1/2" NPT (M)	
<b>Range</b>				0/10 kg/cm <sup>2</sup>
Refer range table				
<b>Electric Contacts (CE Approved)</b>				
(For dry version, with ingress protection up to IP 55 & poly carbonate dome as a window)				
<b>A) Single insulated magnetic snap action type</b> (230 V AC, 1 Amp.)(48 V DC, 0.5 Amp.) (Available for 1 kg/cm <sup>2</sup> & above)		<b>B) Inductive type (220 V AC, 0.4 Amp.)</b> (Available for 1000 mm WC & above )		
<b>M1</b>	Single; normally closed (1 NC)	<b>D1</b>	Single; normally open (1 NO)	XX
<b>M2</b>	Double; normally closed + normally open (1 NC + 1 NO)	<b>D2</b>	Single; normally closed (1 NC)	
<b>M3</b>	Single; normally open (1 NO)	<b>D3</b>	Double; normally closed + normally open (1 NC + 1 NO)	
<b>M4</b>	Double; normally open + normally closed (1 NO + 1 NC)	<b>D4</b>	Double; normally open (both NO)	
<b>M5</b>	Double; normally closed (both NC)	<b>D5</b>	Double; normally closed (both NC)	
<b>M6</b>	Double; normally open (both NO)	<b>D6</b>	Double; normally open + normally closed (1 NO + 1 NC)	
<b>Options</b>				
<b>CBS</b>	AISI 316 SS case & bezel	<b>CNS</b>	Conformity as per NACE Standard	XXX
<b>MBS</b>	Monel bourdon & socket (Monel version)**	<b>TFC</b>	Calibration certificate traceable to National/International standards	
<b>CBS</b>	Case & Bezel SS316	<b>MTC</b>	Material test certificates#	
<b>CDD</b>	Custom designed dial	<b>DOF</b>	Dielectric oil filled	
<b>TND</b>	Dial tag marking			
<b>STP</b>	SS tag plate			
* Consult factory for minimum order quantity & delivery.				
**Integral dampening screw will be in monel if ordered. Refer option FL. ## Consult factory for dial design approval.				
*** Material test certificates will be provided for wetted parts only with chemical composition testing. For others, Please consult factory.				
<b>Ordering Example: BEC - XX - X - XXX - 0/10 kg/cm<sup>2</sup> - XX - XXX</b>				

For other optional items, please contact factory for delivery and minimum quantity of order.

Note : Specifications and dimensions given in this product catalogue represents the state of engineering at the time of printing .

Modifications may take place and materials specified may be replaced by others without prior notice.