



Special Features

- Ideal for pulp industry
- Laser welded flush diaphragm
- Continuous duty
- Easy to clean
- Available with anti vibration spring (optional)
- For vertical installation also with L-bow 90° or L-bow 90°

Application

- Chemical pulp manufacture
- Recovered / recycled paper treatment
- For highly viscous, aggressive or hardening media

Specifications

Standard Version : NS 100 mm & 150 mm

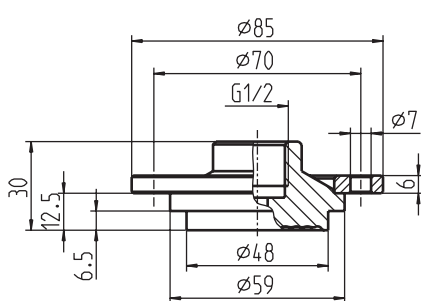
Range	:	0.6 kg/cm ² to 40 kg/cm ²
Process temperature	:	-40°C to 200°C or as per fill fluid
Instrument connection	:	3/8" BSP (F)
Process connection	:	Extended diaphragm to fit DN 48 pulp and paper industry connection.
Mounting	:	Direct (without spring & capillary)
Pressure Rating	:	PN 25 & PN 40
Loose Retainer Flange	:	6 bores Ø 7 mm, diameter 70 mm PCD
Diaphragm Extension	:	6.5mm

Diaphragm	:	AISI 316L SS
Body & floating ring	:	AISI 316 SS
Fill fluid	:	Silicon oil - DC 200

Dimensions

Standard version

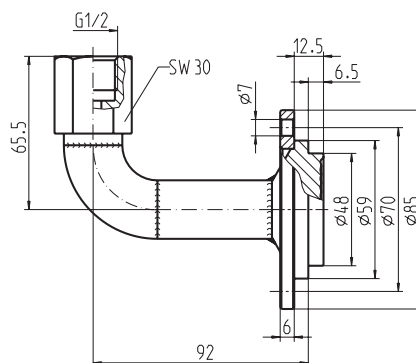
Type : 1



Weight : 0.6 Kgs Approx

Version with L-bow 90°

Type : 2

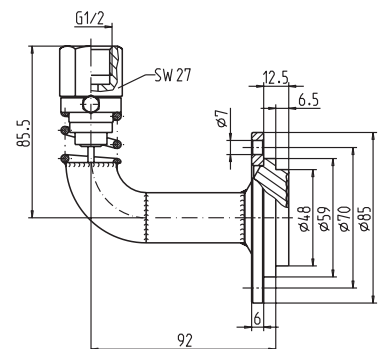


Weight : 0.9 Kgs Approx

Version with L-bow 90° and vibration damper

(not for fluid filled pressure gauges > NS 100)

Type : 3



Weight : 1.0 Kgs Approx

Notes : • Drawings are not to scale. • All Dimensions are in mm.

How To Order				Example
Basic Model				
Code				DSP
Nominal Dial Size & Code	40	45	60	XX
	100 mm	125 mm	150 mm	
Mounting (Connection Location)				
2 : Bottom Side 4 : Back Side Connection				X
Connection Type				
Type : 1 Type : 2 Type : 3 (Please Refer Drawing on First Page for Details)				X
If Standard Options use from below Coding then Please USE "STD" in Model Code				STD
if any Other option select from below then please DO NOT USE "STD" in Code and use related code form below				
Body & Floating Ring				
S6 AISI 316 SS (Standard)		SL AISI 316L SS		XX
Diaphragm				
SL AISI 316L SS (Standard)				XX
Filling Fluids (* Consult factory for specifications, price and delivery)				
S1 Silicon DC 200 [-40 to 205°C] (Standard)		S3 Silicon DC 710 [7 to 371 °C]		XX
FG Food Grade OIL [-20 to 140° C]		SY Syltherm 800 [-40 to 315 °C]		
S2 Silicon DC 704 [10 to 337°C]				
Options				
HLT Helium leak test		MTC Material test certificates*		XXX
WOI Dry seal only without instrument		PTC PTFE Coating On Wetted Parts (Max. 260 Deg. C)		
* Material test certificates will be provided for wetted parts only with chemical composition testing. For others, please consult factory.				
Ordering Example: DSP - XX - X - X - STD + Options if any required				

For other optional items, please contact factory for delivery and minimum quantity of order.

Note : Specifications and dimensions given in this product catalogue represents the state of engineering at the time of printing.

Modifications may take place and materials specified may be replaced by others without prior notice.