

EGT

SS Case Internal Brass Glycerin Filled Pressure Gauge
Bourdon type (Two Part Connection System)



CE

Special Features

- Stainless steel case & Brass measuring system
- Rugged construction
- liquid filled as Standard (Dry Case Optional)
- Standard followed in general EN 837-1

Application

- Engine compressors
- Diesel engines
- Equipments
- Pumps
- Hydraulic
- Hydro-cleaning machines
- Refrigerating plants and gaseous / liquid media that will not obstruct the pressure system.

Specifications

Standard Version : 40mm, 50 mm, 63 mm & 80 mm

Accuracy	:	± 1.6% of F.S.
Ambient temperature	:	- 25°C to + 65°C
Process temperature	:	Max 180°C Without Glycerin Filled if Glycerin Filled Max Temperature 100°C
Operating pressure	:	75 % of Scale Value
Over pressure limit	:	≤ 100 bar : 125% of Max. Scale Value > 100 to ≤ 600 bar : 115% of Max. Scale Value

Case & Bezel	:	AISI 304 SS Crimped Bezel
Socket	:	BRASS
Bourdon	:	BRASS Upto 35 Bar & Above SS 316L
Movement	:	Brass Plated
Joints	:	Brass to Brass Soft Solder & SS to Brass Silver Brazing

Protection	:	IP 68
Dial	:	Aluminium, black graduation on white background
Pointer	:	Black Coloured, Fixed
Window	:	Plexi Glass
Filling Plug	:	Neoprene
Gasket	:	Neoprene / Silicon rubber

Dampening Liquids	:	Glycerin 99.7%
Ambient Temperature	:	Maximum 65°C
Process Temperature	:	Maximum 100°C

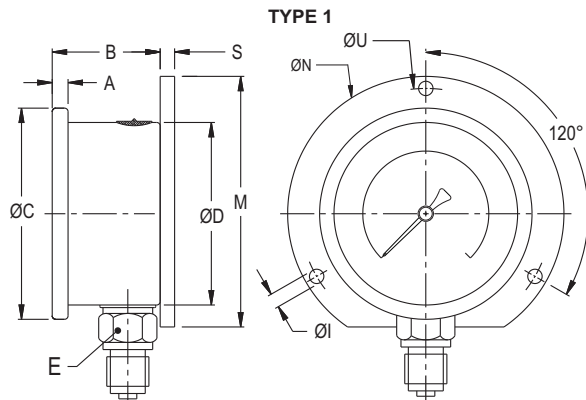
Dry but fillable version (option DFG)

Fillable Dampening Liquid	:	Glycerin 99.7%
Ambient Temperature	:	(-) to 65°C
Process Temperature	:	Maximum 65°C
Other Features	:	Refer Specification of Standard Version

Temperature effect:

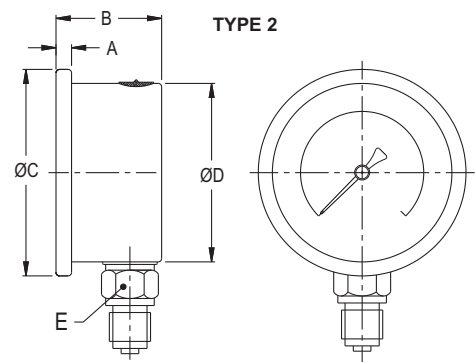
The variation of indication caused by effects of temperature is to be calculated by below formula; which is to be added in the specified accuracy while measurement :- Formula : $\pm 0.04 \times (t_2 - t_1) \% \text{ of F. S.}$ where t_1 = reference temperature (+20°C) and t_2 = ambient temperature in °C.

Dimensions - standard version



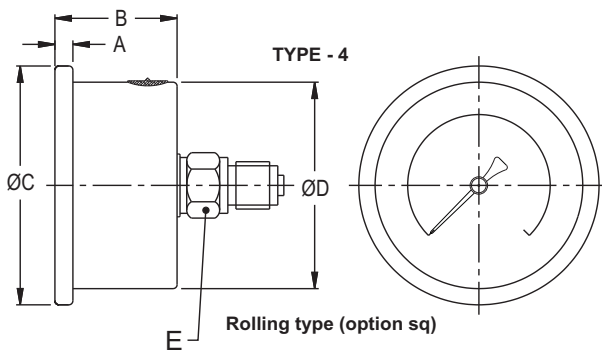
Crimped Type Bezel (Standard)

NS	A	B	ØC	ØD	E	S	ØN	ØI	ØU	M	Weight in gram (With Box)	Weight in gram (With Glycerin & Box)
63	6.5	30.5	69	62.5	A/F 14	7	86	3.6	75	80	190.0	250.0



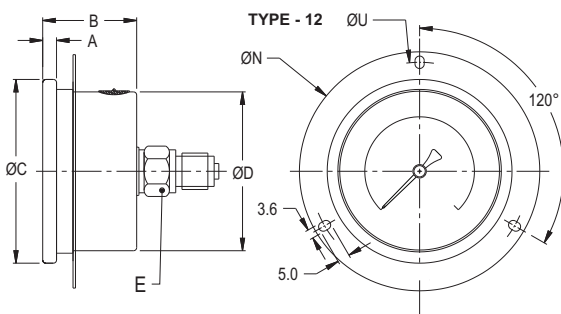
Rolling Type (option Sq)

NS	A	B	ØC	ØD	E	Weight in gram (With Box)	Weight in gram (With Glycerin & Box)
40*	5	26.5	49.0	41.6	A/F 12	90.0	130.0
50	5	29	57.5	51.5	A/F 14	125.0	185.0
63	6.5	30.5	69	62.5	A/F 14	140.0	200.0



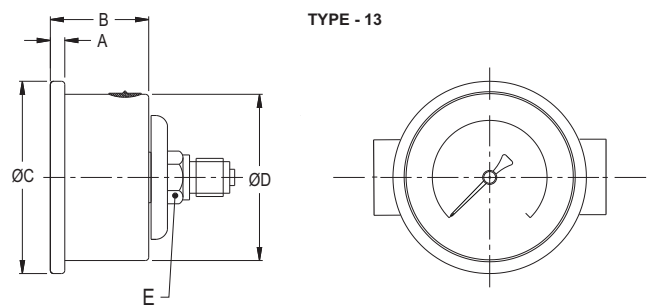
Rolling type (option sq)

NS	A	B	ØC	ØD	E	Weight in gram (With Box)	Weight in gram (With Glycerin & Box)
40	5	26.5	40.0	41.6	A/F 12	100.0	140.0
50	4.5	29	57.5	51.5	A/F 14	117.0	167.0
63	6.5	30.5	69	62.5	A/F 14	170.0	230.0



Rolling type (option sq)

NS	A	B	ØC	ØD	E	ØN	ØU	Weight in gram (With Box)	Weight in gram (With Glycerin & Box)
63	6.5	30.5	69	62.5	A/F 14	86	75	220.0	280.0



Rolling type (standard)

NS	A	B	ØC	ØD	E	Weight in gram (With Box)	Weight in gram (With Glycerin & Box)
50	5	29	57	51.5	A/F 14	180.0	240.0
63	6.5	30.5	69	62.5	A/F 14	210.0	270.0

Notes : • Drawings are not to scale. • All Dimensions are in mm . • NS = Nominal size
• Weights mentioned are approximate and for standard product. Weight can be different after selection of options.

Range Table

Note : We offer Pressure ranges, Vacuum ranges and Compound ranges in Scales like kPa, MPa, bar, psi, kg/cm² & Dual Scale like kPa with psi, kPa with bar, bar with psi or scales as per the requirement can be provided on request. Following are the example tables for kg/cm² & psi scales.

Range with nominal sizes

Nominal size

Range (psi with kg/cm ²)		40 mm	50 mm	63 mm	80 mm
psi	kg/cm ²				
-30 inHg / 0	-760 mmHg / 0	✓	✓	✓	✓
0/15 psi	0/1 kg/cm ²	✓	✓	✓	✓
0/30 psi	0/2 kg/cm ²	✓	✓	✓	✓
0/60 psi	0/4 kg/cm ²	✓	✓	✓	✓
0/100 psi	0/7 kg/cm ²	✓	✓	✓	✓
0/150 psi	0/10 kg/cm ²	✓	✓	✓	✓
0/230 psi	0/16 kg/cm ²	✓	✓	✓	✓
0/300 psi	0/20 kg/cm ²	✓	✓	✓	✓
0/400 psi	0/28 kg/cm ²	✓	✓	✓	✓
0/500 psi	0/35 kg/cm ²	✓	✓	✓	✓
0/600 psi	0/42 kg/cm ²	✓	✓	✓	✓
0/1000 psi	0/70 kg/cm ²	✓	✓	✓	✓
0/1500 psi	0/100 kg/cm ²	✓	✓	✓	✓
0/2300 psi	0/160 kg/cm ²	✓	✓	✓	✓
0/3000 psi	0/200 kg/cm ²	✓	✓	✓	✓
0/4000 psi	0/280 kg/cm ²	✓	✓	✓	✓
0/5000 psi	0/350 kg/cm ²	✓	✓	✓	✓
0/6000 psi	0/400 kg/cm ²	✓	✓	✓	✓
- 30inHg /30	- 1/2 kg/cm ²	×	✓	✓	✓
- 30inHg /60	- 1/4 kg/cm ²	×	✓	✓	✓
- 30inHg /100	- 1/7 kg/cm ²	×	✓	✓	✓
- 30inHg /150	- 1/10 kg/cm ²	×	✓	✓	✓
- 30inHg /200	- 1/14 kg/cm ²	×	✓	✓	✓
- 30inHg /300	- 1/21 kg/cm ²	×	✓	✓	✓

Accessories (refer datasheet for complete specifications)

GC	Gauge cock	SN	Snubber
GS	Overload protector (gauge saver)**	SP	Siphon
*	Needle valve	CT	Cooling tower

* Refer catalogue for Valves & Manifolds

** For Pressure Ranges.

How To Order						Example
Basic Model						EGT
Code						
Nominal Size		15	20	25	30	XX
		40 mm	50 mm	63 mm	80 mm	
Type of Mounting						X OR XX
1	Wall/ surface/ projection mounting With bottom entry	×	×	✓	✓	
2	Direct bottom entry	✓	✓	✓	✓	
4	Direct center back entry	✓	✓	✓	✓	
12	Center back entry with front flange	×	✓	✓	×	
13	Center back entry with mounting bracket	×	✓	✓	×	
16	Center back entry with Front Flange & With mounting bracket (Type 12 & 13 Combine)	×	✓	✓	×	
Gauge Connection		Nominal Size >	15	20	25	30
1BM	1/8" BSP (M)		✓	✓	✓	×
1NM	1/8" NPT (M)		✓	✓	✓	×
1TM	1/8" BSPT (M)		✓	✓	✓	×
2BM	1/4" BSP (M)		×	✓	✓	×
2NM	1/4" NPT (M)		×	✓	✓	×
2TM	1/4" BSPT (M)		×	✓	✓	×
3BM	3/8" BSP (M)		×	×	×	✓
3NM	3/8" NPT (M)		×	×	×	✓
3TM	3/8" BSPT (M)		×	×	×	✓
4BM	1/2" BSP (M)		×	×	×	×
4NM	1/2" NPT (M)		×	×	×	×
4TM	1/2" BSPT (M)		×	×	×	×
* These connections will be provided on request. Consult factory for minimum order quantity, price & delivery.						
Range						0/10 kg/cm ²
Refer range table						
Optional Extras						XXX
CDD	Custom designed dial	HLT	Helium leak test			
OXS	Oxygen service (for dry version)	MDJ	Movement with dampening jelly #			
DFG	Dry but Field Fallible liquid glycerine					
DFS	Dry but Field Fallible liquid silicon oil ***					
LSI	Dampening liquid silicon oil filled ***					
MTC	Material test certificates ****					
TRC	Calibration certificate traceable to National / International standards					
# Applicable for NS 63 mm Only.						
*** Gasket & Filling Plug of Viton.						
**** Material test certificates will be provided for wetted parts only with chemical composition testing. For others, please consult factory.						

Ordering Example: EGT - XX - X OR XX - XXX - 0/10 kg/cm² - XXX

For other optional items, please contact factory for delivery and minimum quantity of order.

Note : Specifications and dimensions given in this product catalogue represents the state of engineering at the time of printing.

Modifications may take place and materials specified may be replaced by others without prior notice.