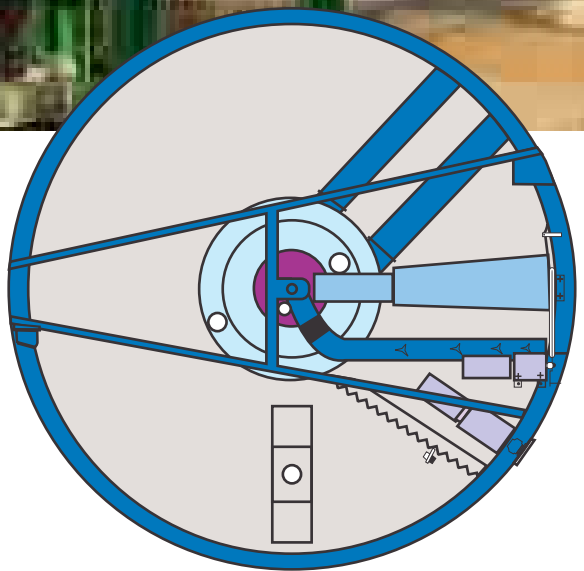




REFERENCES 2018

**Floatcell  
Dissolved Air Flotation  
Clarifier**

**DAFTECH**



**Floatcell**  
**Dissolved Air Flotation**  
**Clarifier**

# DAF Clarifier

**Dissolved Air Flotation (DAF) is an effective method of treating industrial wastewaters especially from paper mills, dairy units, textile industries, tanneries and food processing like edible oil refining, fisheries, meat processing etc. Recent applications would also suggest that it is an ideal process for clarifying mixed liquor from aeration basins of activated sludge systems.**

**S**tate-of-the-art DAF Clarifiers are circular in shape with a retention of 3 minutes, compared to rectangular first generation DAF units of 20-30 minutes retention. Daftech Floatcells have done away with overflow weirs which demand extra space and require extra supporting columns.

Daftech Floatcells operate with a pressurized recycle flow of 25 - 30% and generate fine bubbles of 30 micron size which lift the suspended particles to the top surface from where it is picked up by a scoop. Clarified water from Floatcell will not have TSS more than 50 - 100 ppm. BOD reductions generally achieved vary between 50 and 80% depending upon the nature of solids removed.

The other advantage of using flotation is that the sludge separated has a much higher consistency, 2 - 3.5%, as against 0.8 - 1% from the bottom of conventional sedimentation clarifiers.

Daftech Floatcell employs imported Italian variable speed gear motors for the drive systems. The speed is steplessly variable over a range of 3-21 RPM. Where the standard construction is mild steel with a special anti-corrosive paint, fabrication in SS 304 and 316 also are offered to overseas clients and special applications.

The equipment comes prefabricated and can be erected at site in 5-7 days.

### Dairy Wastewater



#### **Chitale Dairy, Sangli**

FTC 45

In operation since August 8, 2002

#### **Dynamix Dairy, Baramati**

FTC 90

In operation since June 15, 2006

#### **Parag Milk, Pune**

FTC 45

In operation since April 5, 2008

#### **Hatsun Agro, Belgaum**

FTC 26

In operation since February 15, 2010

#### **Creamline Dairy, Hyderabad**

FTC 26

In operation since December 31, 2010

#### **Supreme Agrofoods, Ludhiana**

FTC 26

In operation since April 16, 2013

#### **UTC, Ukraine**

FTC 68 (SS 304)

Delivered September 15, 2012

#### **VRS Foods, Gwalior**

FTC 68

In operation since February 1, 2013

#### **Igloo Dairy, Navi Mumbai**

FTC 5

In operation since June 19, 2013

#### **VRS Foods, Gwalior**

FTC 135

In operation since October 3, 2013

#### **Schreiber Dynamix Dairies, Baramati**

FTC 68

In operation since February 7, 2014

#### **Hatsun Agro Products, Palacode**

FTC 45

In operation since September 30, 2014

#### **Valsad Dist. Co-op Milk Production, Tarapur**

FTC 5

In operation since April 24, 2014

#### **Hatsun Agro Products, Ayaneri**

FTC 26

In operation since May 12, 2014

#### **Sterling Agro, Gwalior**

FTC 68

In operation since July 20, 2014

#### **Igloo Dairy, Navi Mumbai**

FTC 9

In operation since May 1, 2014

#### **Kwality, Palwal**

FTC 45

In operation since December 1, 2014

#### **Parag Milk, Pune**

FTC 90 (SS 304)

In operation since May 7, 2015

#### **Uttam Dairy, Ahmedabad**

FTC 68 (SS 304)

In operation since March 10, 2018

#### **Vasudhara Dairy, Surat**

FTC 26 (SS 304)

In operation since February 2, 2018

#### **Hatsun Agro, Madurai**

FTC 26 (SS 304)

Delivered February 21, 2017

#### **Amul Dairy, Ahmedabad**

FTC 68 (SS 304)

Delivered August 1, 2017

### Fibre Recovery



#### **Adnip Tissue Abu Dhabi**

FTC 26 (SS 304)

In operation since Feb.19, 2002

#### **Akshera Papers, Coimbatore**

FTC 68

In operation since September 14, 2002

#### **Gemini Graphics, Bidar**

FTC 45

In operation since June 16, 2003

#### **Palar Paper Mills Ltd., Kalasapakkam**

FTC 135

In operation since December 27, 2002

#### **Harir Khuzestan Co., Tehran**

FTC 68 (SS 304)

In operation since July 29, 2005

#### **Maghan Paper Mills, Sangrur**

FTC 135

In operation since January 5, 2006

#### **D.R. Manufacturing Co., Sri Lanka**

FTC 68

In operation since July 24, 2006

#### **Unitech Paper, Dacca**

FTC 45

In operation since December 14, 2007

#### **Fine Print Ltd., Ghana**

FTC 135 (SS 304)

Delivered December 9, 2008

#### **Harir Khuzestan Co., Tehran**

FTC 164 (SS 304)

In operation since December 27, 2009

#### **Afil Paper, Dacca**

FTC 68 (SS 304)

In operation since May 12, 2010

#### **Al-Azman, Saudi Arabia**

FTC 90 (SS 316)

In operation since June 2, 2013

#### **GS Paper and Packaging, Kuala Lumpur**

FTC 657 (SS 304)

In operation since July 26, 2013

#### **Fourstones Paper Mills, Scotland**

FTC 164 (SS 304)

In operation since June 1, 2014

#### **Deepak Industries, Baddi**

FTC 135

Delivery scheduled June 2018

### Textile Effluents



#### **Jeans 2000, Chittagong**

FTC 45

In operation since September 1, 2007

#### **Universal Jeans, Chittagong**

FTC 135

In operation since September 1, 2007

#### **Loyal Super Fabrics, Cuddalore**

FTC 26

In operation since September 14, 2006

#### **Metcon, Kolkata**

FTC 135

In operation since February 8, 2010

#### **Mandhana, Tarapur**

FTC 135 (SS 304)

In operation since May 13, 2012

#### **Jeyavishnu Textile Processors, Thirupur**

FTC 68

In operation since February 19, 2013

#### **Chenab Textile Mills, Kathua**

FTC 135

In operation since May 20, 2014

#### **Dollar Industries, Perundurai**

FTC 68

In operation since August 20, 2014

#### **Metcon, Kolkata**

FTC 135

In operation since December 15, 2013

#### **Mudra Lifestyle, Tarapur**

FTC 135

In operation since December 1, 2014

#### **Superfine Bleaching, Erode**

FTC 45

In operation since June 14, 2014

#### **LNJ Denim, Banswara**

FTC 164

In operation since November 29, 2016

#### **Maruti Textiles, Surat**

FTC 90

In operation since March 15, 2018

#### **Pratibha Fabrics**

FTC 90

Delivery scheduled June 2018

#### **Vishnu Priya Dyeing & Printing, Surat**

FTC 90

Delivery scheduled June 2018

### Edible Oil Effluents



#### **Rasoi Limited, Calcutta**

FTC 26

In operation since July 9, 2002

#### **Kaleesuwari Refinery, Chennai**

FTC 5

In operation since June 27, 2002

#### **United Foods Co., UAE**

FTC 9 (SS 316L)

In operation since February 21, 2007

#### **United Foods Co., UAE**

FTC 9 (SS 316L)

In operation since February 21, 2007

#### **Kaleesuwari Refinery, Chennai**

FTC 5

In operation since April 4, 2008

#### **Sun Raja Oil Industries, Erode**

FTC 5

In operation since December 1, 2008

#### **Kaleesuwari Refinery, Chennai**

FTC 9 (SS 304)

In operation since March 15, 2009

#### **Kaleesuwari Refinery, Palani**

FTC 5 (SS 304)

In operation since February 10, 2010

#### **Kaleesuwari Refinery, Chennai**

FTC 5 (SS 304)

In operation since February 15, 2010

#### **Oleo Ltd., Isreal**

FTC 5

Delivered December 13, 2011

#### **Brisanzia, Uzbekistan**

FTC 5 (SS 304)

In operation since May 2, 2013

### Slaughterhouse Effluents



#### **Hydromagx, Saudi Arabia**

FTC 26

In operation since November 30, 2003

#### **Delhi Municipal Corpn., Gazipur**

FTC 90

In operation since February 29, 2008

#### **Delhi Municipal Corpn., Gazipur**

FTC 90 (SS 304)

In operation since February 29, 2008

#### **Amroon Foods, Barabanki**

FTC 68 (SS 304)

In operation since April 10, 2016

#### **Fair Exports (India), Rampur**

FTC 135 (SS 304)

In operation since April 11, 2016

### Steel



#### **Essar Steel, Hazira**

FTC 68

In operation since March 30, 2011

#### **Jindal Steel, Barbil**

FTC 5

In operation since December 14, 2011

#### **SAIL, Bhilai**

FTC 135

Delivered March 9, 2013

#### **Jindal Steel Power, Angul**

FTC 68

In operation since February 3, 2014

#### **Bhushan Steel, Orissa**

FTC 68

Delivered March 22, 2018

### Air Mixing



#### **Triton International, Lima**

AMT 2500 (SS 316L)

In operation since May 24, 2005

#### **TASA, Lima**

AMT 2500 (SS 316L)

In operation since May 25, 2005

#### **BSE S.A., Colombia**

AMT 150, (SS 316L)

In operation since March 15, 2006

#### **K-Pack Systems, Bengaluru**

AMT 60

In operation since December 15, 2014

#### **Desarrollo Integral de Proyectos, Bogota**

AMT 300

Delivered December 20, 2014



### Paint Shop Effluents



#### **Hyundai Motor, Chennai**

FTC 90

In operation since April 2, 2008

#### **Hyundai Motor, Chennai**

FTC 135

In operation since April 2, 2008

#### **Hero Honda, Hardwar**

FTC 26

In operation since December 19, 2007

#### **Honda Siel, Gurgaon**

FTC 68

In operation since April 15, 2008

### Food Processing



#### **Prabhat Nutritious and Frozen Foods, Mumbai**

FTC 9

In operation since August 15, 2013

#### **CH Four Energy Solutions, Baramati**

FTC 5

In operation since March 10, 2014

#### **Sunfresh Agro Industries, Ahmednagar**

FTC 68 (SS 304)

In operation since February 13, 2017

## Fruit Processing



### **Jain Irrigation, Jalgaon**

FTC 90

In operation since March 3, 2008

### **Jain Irrigation, Chittoor**

FTC 45

In operation since March 15, 2008

### **Jain Irrigation, Chittoor**

FTC 45

In operation since March 30, 2008

## Coal Tar Pitch Processing



### **Himadri Chemicals & Industries Limited, Hooghly**

FTC 26

In operation since January 21, 2011

### **Himadri Chemicals & Industries Limited, Hooghly**

FTC 5

In operation since January 21, 2011

### **Himadri Chemicals and Industries, Hooghly**

FTC 26

In operation since March 15, 2016

## Pharmaceutical Effluents



### **J. K. Pharmachem Ltd., Cuddalore**

FTC 45

In operation since June 7, 2003

### **SPIC Pharmaceuticals, Cuddalore**

FTC 68

In operation since August 26, 2003

### **Datwyler Pharma, Pune**

FTC 26

In operation since March 18, 2013

## Secondary Clarification



### **Rasoil Limited, Calcutta**

FTC 26

In operation since July 9, 2002

### **UTC, Ukraine**

FTC 68 (SS 304)

Delivered September 15, 2012

### Palm Oil Refining



#### **Pan-Century Edible Oils, Malaysia**

FTC 90 (SS 304)

In operation since July 6, 2005

#### **Mac Oil Palm, Ampapuram**

FTC 9

In operation since September 15, 2008

### Ice Cream Effluents



#### **Unilever, Nalagarh**

FTC 9

In operation since December 22, 2006

#### **Unilever, Nasik**

FTC 26

In operation since May 23, 2013

### Waste Oil Processing



#### **Evergreen Oil Inc., California**

FTC 45

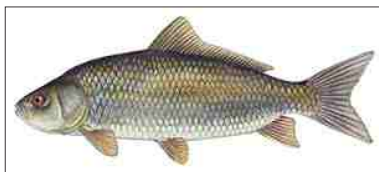
In operation since April 2, 2007

#### **Evergreen Oil Inc., California**

FTC 45

In operation since April 2, 2007

### Fish Processing Effluents



#### **Gadre Marine Export, Ratnagiri**

FTC 45 (SS 316)

In operation since October 23, 2003

#### **Gadre Marine Export, Ratnagiri**

FTC 68 (SS 316L)

In operation since March 25, 2008

### Petroleum Refining



#### **ANCAP , Uruguay**

FTC 68 (SS 316L)

In operation since February 1, 2011

#### **ANCAP, Uruguay**

FTC 68 (SS 316L)

Delivered March 31, 2012

### Polyester Straps



#### **Consent LLC, Dubai**

FTC 9

In operation since November 30, 2012

#### **Shubhalakshmi Polyester, Dahej**

FTC 5

In operation since July 15, 2017

### Chicken Processing



#### **Delmo Chicken & Agro, Sri Lanka**

FTC 26

In operation since August 12, 2012

#### **Qualicom Solutions, Bangladesh**

FTC 9

Delivered November 20, 2017

### Augmentation of Depurator Efficiency



#### **Cairn India, Barmer**

AMT 2500 (SS 316L)

In operation since March 9, 2014

#### **Cairn India, Barmer**

AMT 3000 (SS 316L)

In operation since December 24, 2014

### Pulp Mill effluents



**GS Paper and Packaging, Kuala Lumpur**  
FTC 657 (SS 304)  
In operation since July 26, 2013

**Seshasayee Paper & Boards, Tirunelveli**  
SDF 290  
Delivered April 20, 2018

### Rendering Plant Effluents



**Delhi Municipal Corpn., Gazipur**  
FTC 26  
In operation since April 24, 2007

### PVC Production



**Chemplast, Mettupalayam**  
FTC 90  
In operation since May 1, 2008

### Starch and Glucose effluents



**Arasco Corn Products, Saudi Arabia**  
FTC 45 (SS 316)  
In operation since July 2, 2013

## Laundry Effluents



**Washright Services, Mauritius**  
FTC 26  
In operation since February 3, 2007

## Non-Woven Effluents



**Alpha Foam, Pune**  
FTC 68  
In operation since March 10, 2007

## Carbon Black Effluents



**Continental Carbon, Gaziabad**  
FTC 26  
In operation since May 25, 2007

## Sewage



**City of Bogota, Colombia**  
FTC 68 (SS 316L)  
In operation since October 1, 2007

## Pilot Studies



### Aquatech, Pune

FTC 5

In operation since May 10, 2008

## Car Washing



### Palm Jumeirah Transit, Dubai

FTC 5 (SS 304)

In operation since March 9, 2009

## Kitchen Effluents



### Gate Gourmet, Goa

FTC 9

In operation since December 30, 2008

## Coolant



### WABCO-TVS India, Jharkhand

FTC 5

In operation since May 29, 2010

## Fertilizers



### **GSCF, Vadodara**

FTC 45 (SS 304)

In operation since June 27, 2013

## Meat Processing



### **Frigorifico Allana, Mumbai**

FTC 9

In operation since June 12, 2013

## Tetra Pak effluents



### **Tetra Pak, Pune**

FTC 5

In operation since June 5, 2013

## Cheese Production



### **Basthanka Cheese Plant, Ukraine**

FTC 68

In operation since September 19, 2011



## Rice Mill Effluents



**Engro Foods, Karachi**  
FTC 26  
Delivered April 20, 2012

## Polymer Effluents



**Indorama Polymer, Thailand**  
FTC 45  
In operation since April 2, 2014

## Rubber Effluents



**Gujarat Reclaim and Rubber Products, Erode**  
FTC 5  
In operation since September 1, 2012

## Soap Effluents



**Lakme Lever, Gandhidham**  
FTC 5  
In operation since October 8, 2015

## Confectionery Effluents



**MTR Foods, Bengaluru**  
FTC 5 (SS 304)  
In operation since January 15, 2016

## Cosmetics Effluent



**L'Oreal, Nairobi**  
FTC 5 (SS 304)  
In operation since June 13, 2017

## Farm Effluent



**Encon Clean Energy, Rotterdam**  
FTC 5 (SS 304)  
In operation since May 17, 2017

## Wool Scouring Effluent



**Chandra Woolens, Bhadohi**  
FTC 9  
In operation since February 15, 2018

## Gelatin Effluent



**Coloidales Duche, Mexico**  
FTC 135 (SS 304)  
In operation since May 18, 2018

## Coconut Processing



**Sparkle Cleantech, Philippines**  
FTC 26  
Delivered April 27, 2018



For further information contact :  
**DAFTECH ENGINEERS PVT LTD**  
S.C.F 23, 2nd Floor  
Inner Market, Sector 7-C  
Chandigarh 160 019

T: +91 172-4633974  
M: +91 9814127804  
F: +91 172 2791959

[mail@daftechindia.com](mailto:mail@daftechindia.com)

[www.daftechindia.com](http://www.daftechindia.com)