

INFINITY CRANE SCALE

MODEL GGC-PRO



Capacity 0.5, 1.0, 1.5, 2.0 T

Compact light and portable

Aluminum alloy housing for high strength and reliability

All purposes industrial weighing

Can act as a dynamometer for all ropes , lifting, hoisting proof load tests.

Remote control provided for ease of operation

Maximum overload 150% Safety overload 400%

FEATURES

Large 25mm(1") Bright LED display or

20mm(0.8") LCD with green backlight

Light Weight of 5kg for portability

Die cast Aluminum Magnesium alloy

for super high strength heavy duty uses.

150% safe overload

Remote Control for Hold , Switch


Battery is detachable for external charging

Universal charging 100 -240V 50/60Hz

Battery is 6V,3.2AH rechargeable

Access through single lock

Selectable division Standard/ Hi


360 ° Swivel hook & Shackle
Top & bottom swivel
for ease of uses and view



INFINITY CRANE SCALE MODEL GGC-PRO

Battery cover by single lock



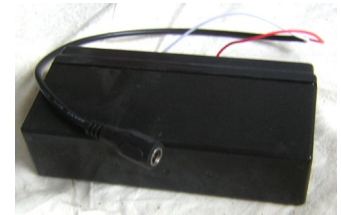
AC Charger



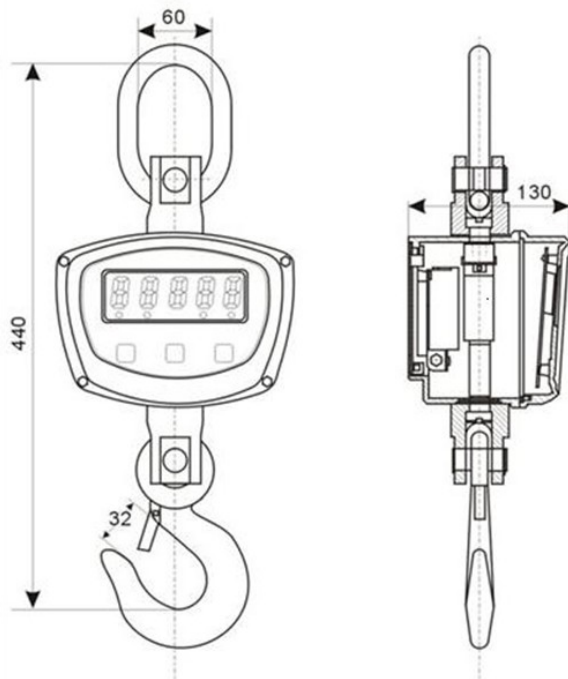
Remote control – 2XAA battery



Detachable battery



SPECIFICATION & DIMENSIONS -cm



Operation:

ZERO—100% TARE or Zero the display

HOLD—Peak load hold

SW—switch between Standard or Hi division

Max. Capacity (kg)	Mini. Weight (kg)	Division Selectable (kg)	
		Standard	High
500	5	0.2	0.1
1000	10	0.5	0.2
1500	10	0.5	0.2
2000	20	1.0	0.5